

JORDAN POND GATE LODGE  
Acadia National Park Roads & Bridges  
Park Loop Road, 1 mile North of Seal Harbor  
Seal Harbor Vicinity  
Hancock County  
Maine

HAER  
ME  
5-SEHA.V  
7-

PHOTOGRAPHS  
MEASURED AND INTERPRETIVE DRAWINGS

HISTORIC AMERICAN ENGINEERING RECORD  
National Park Service  
Department of the Interior  
P.O. Box 37127  
Washington, D.C. 20013-7127

HISTORIC AMERICAN ENGINEERING RECORD

INDEX TO PHOTOGRAPHS

HAER  
ME  
S-SEHA.V  
7-

JORDAN POND GATE HOUSE

HAER No. ME-54

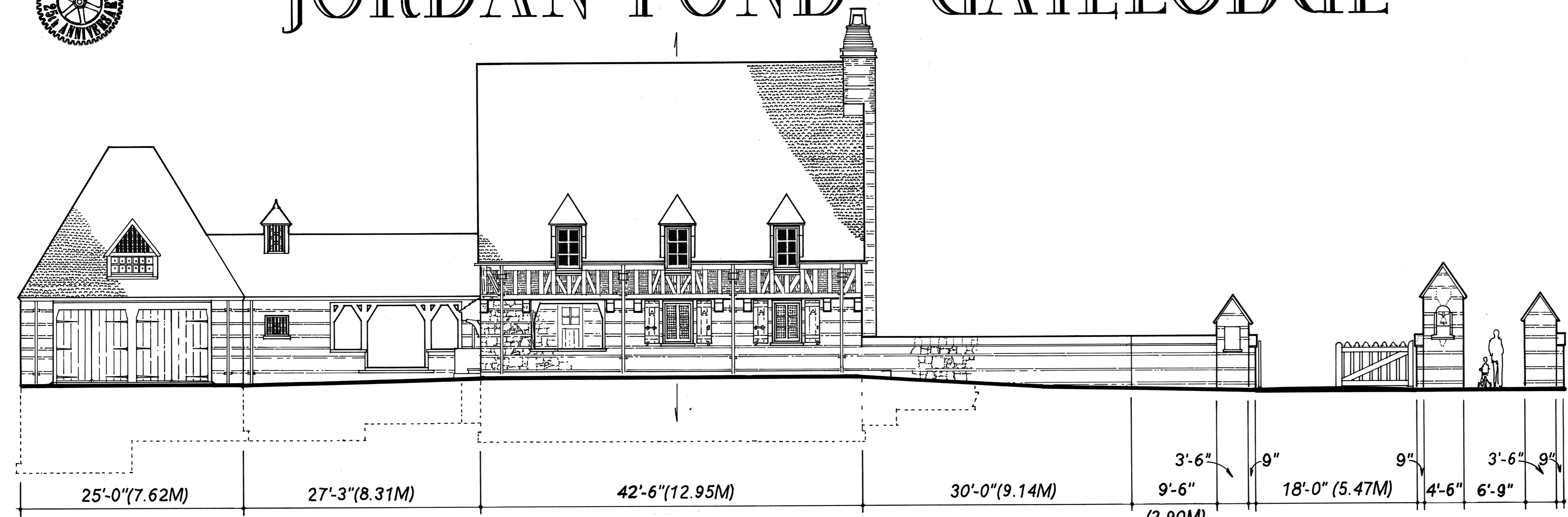
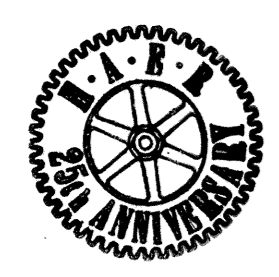
Park Loop Road, 1 mile N of Seal Harbor  
Acadia National Park Roads and Bridges  
Seal Harbor Vicinity  
Hancock County  
Maine

JET LOWE, PHOTOGRAPHER, SEPTEMBER 1994

- |         |  |
|---------|--|
| ME-54-1 | PERSPECTIVE VIEW OF JORDAN POND GATEHOUSE FACING EAST  |
| ME-54-2 | CARRIAGE HOUSE, AND GATEHOUSE IN PERSPECTIVE FACING SE |
| ME-54-3 | NORTH ELEVATION OF JORDAN GATEHOUSE                    |
| ME-54-4 | SOUTH ELEVATION OF JORDAN GATEHOUSE                    |

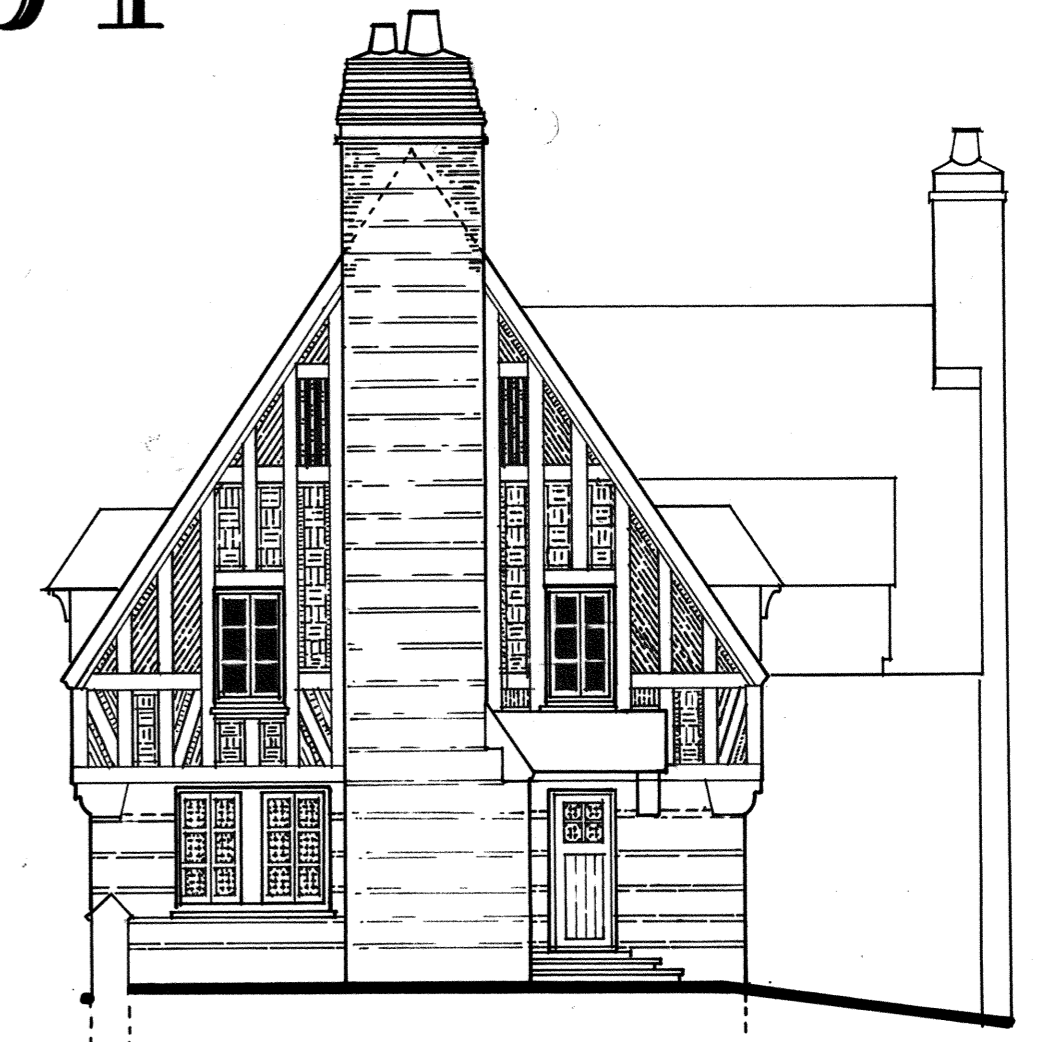
# JORDAN POND GATELODGE

# 1931

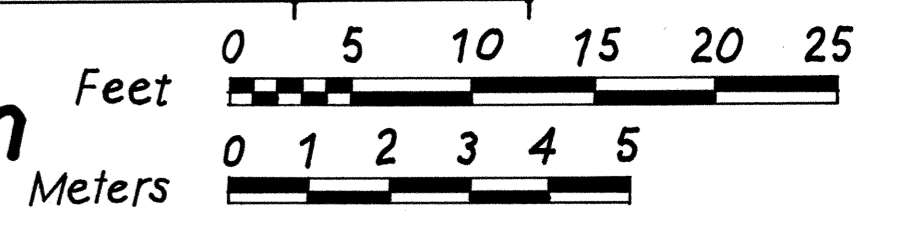


### West Elevation

Note: laid flat scale 1/8" = 1'-0"

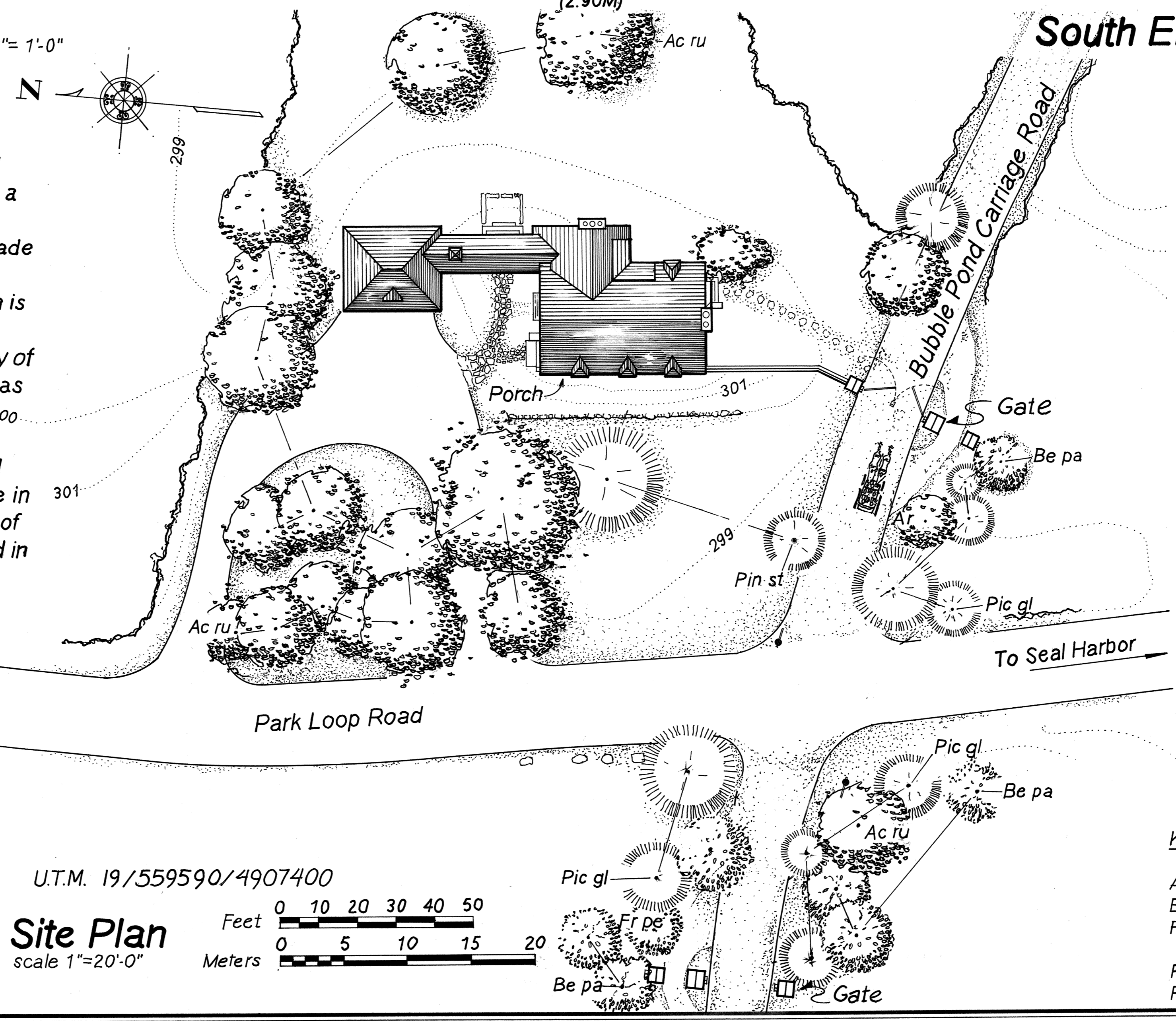


### South Elevation



Like its counterpart near what used to be called Brown Mountain, the Jordan Pond Gate Lodge was built by John D. Rockefeller, Jr. in 1931. It too was designed by Grosvenor Atterbury in the same French style, and includes a main house, garage, and carriage road gate all connected by a high masonry wall. Yet, whereas the layout of the Brown Mountain Gate Lodge was octagonal, the one near Jordan Pond is linear. The facade of the Jordan Pond Gate Lodge complex, with its breezeway and porch, also emphasizes the house and garage rather than the gate itself, which is mirrored by another located across the Park Loop Road. After its completion, the Jordan Pond Gate Lodge was occupied first by the family of Rockefeller's chief engineer, Paul D. Simpson, and later the structure was donated to Acadia by Rockefeller.

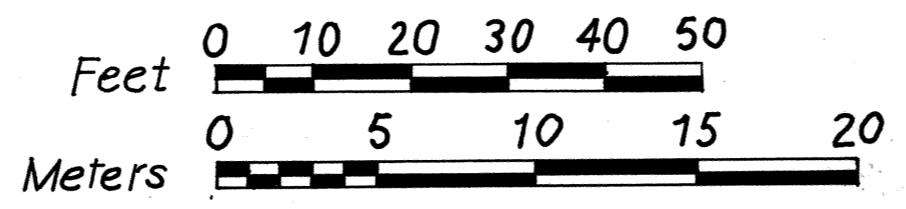
The Jordan Pond Gate Lodge was built in the vicinity of the Jordan Pond Tea House. This popular island eatery was converted from a farmhouse in 1896, and destroyed by fire in 1979 only to be rebuilt. The outbuildings of the original farm were razed when the Park Loop Road was realigned in 1964.



U.T.M. 19/559590/4907400

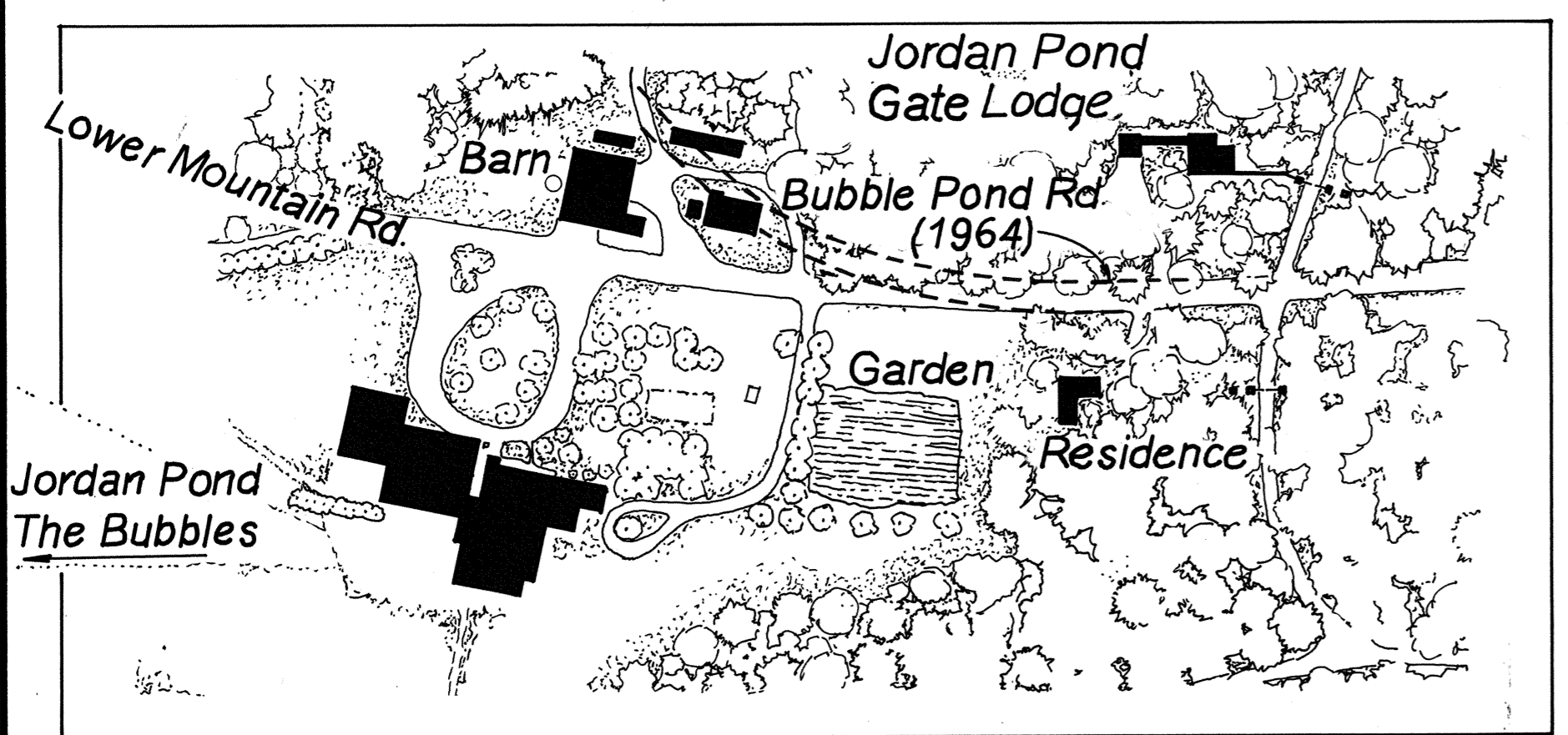
### Site Plan

scale 1" = 20'-0"



Landscape gardener Beatrix Farrand was also involved with the plantings around the Jordan Pond Gate Lodge. Like her other gate lodge work, Farrand attempted to blend the Jordan Pond structure in with its natural surroundings. To accomplish this she recommended that vines be placed on the exterior of the facade, shrubs and ferns be located near sharp corners of the buildings, and a terraced lawn be constructed in front of the house in order to salvage trees indigenous to the area.

| Key    | Botanic Name                      | Common Name        |
|--------|-----------------------------------|--------------------|
| Ac ru  | Acer rubrum                       | Red Maple          |
| Be pa  | Betula papyrifera                 | Paper Birch        |
| Fr pe  | Fraxinus pennsylvanica lanceolata | Green Ash          |
| Pic gl | Picea glauca                      | White Spruce       |
| Pin st | Pinus strobus                     | Eastern White Pine |

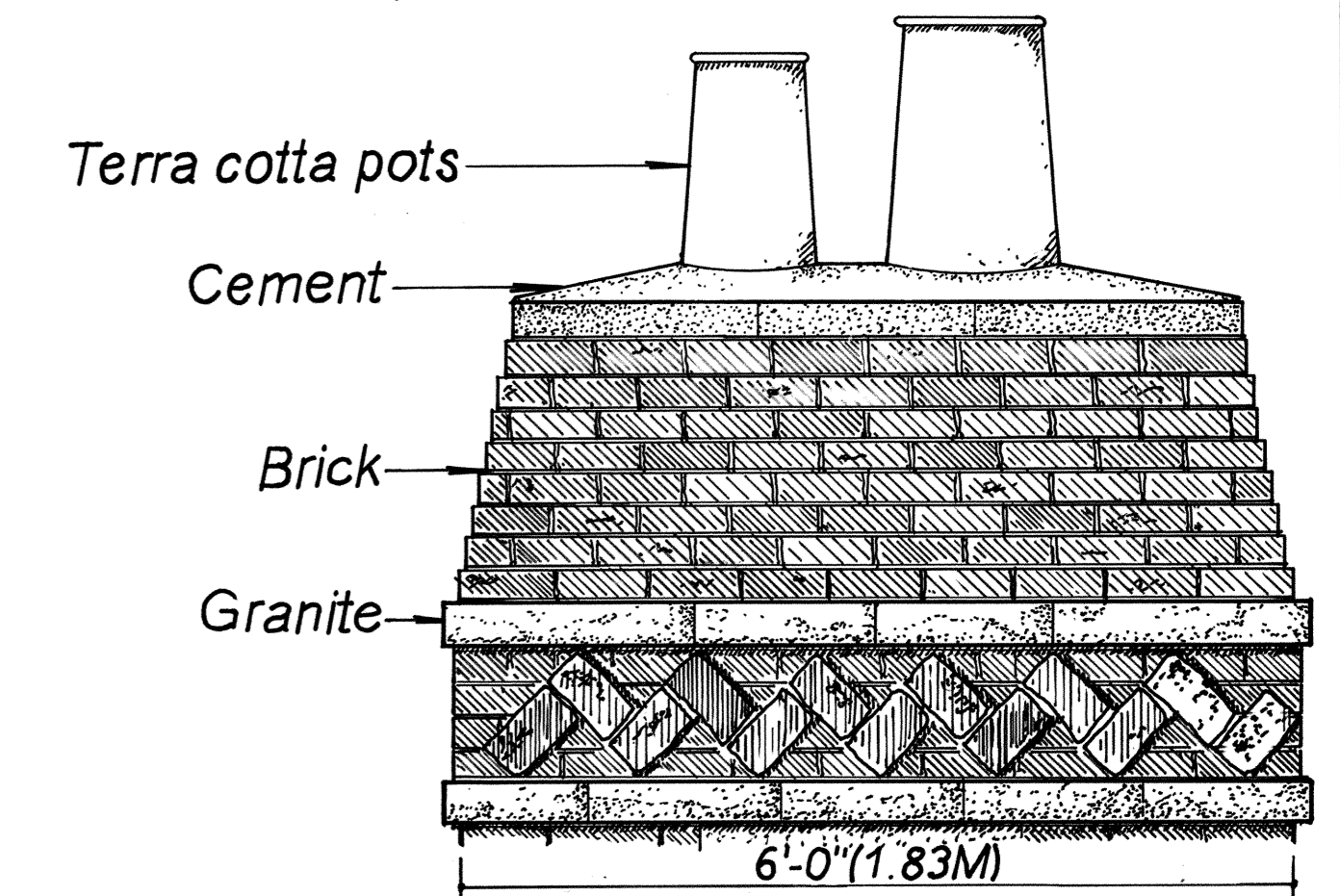


### Jordan Pond House, Part of the Master Plan (1937)

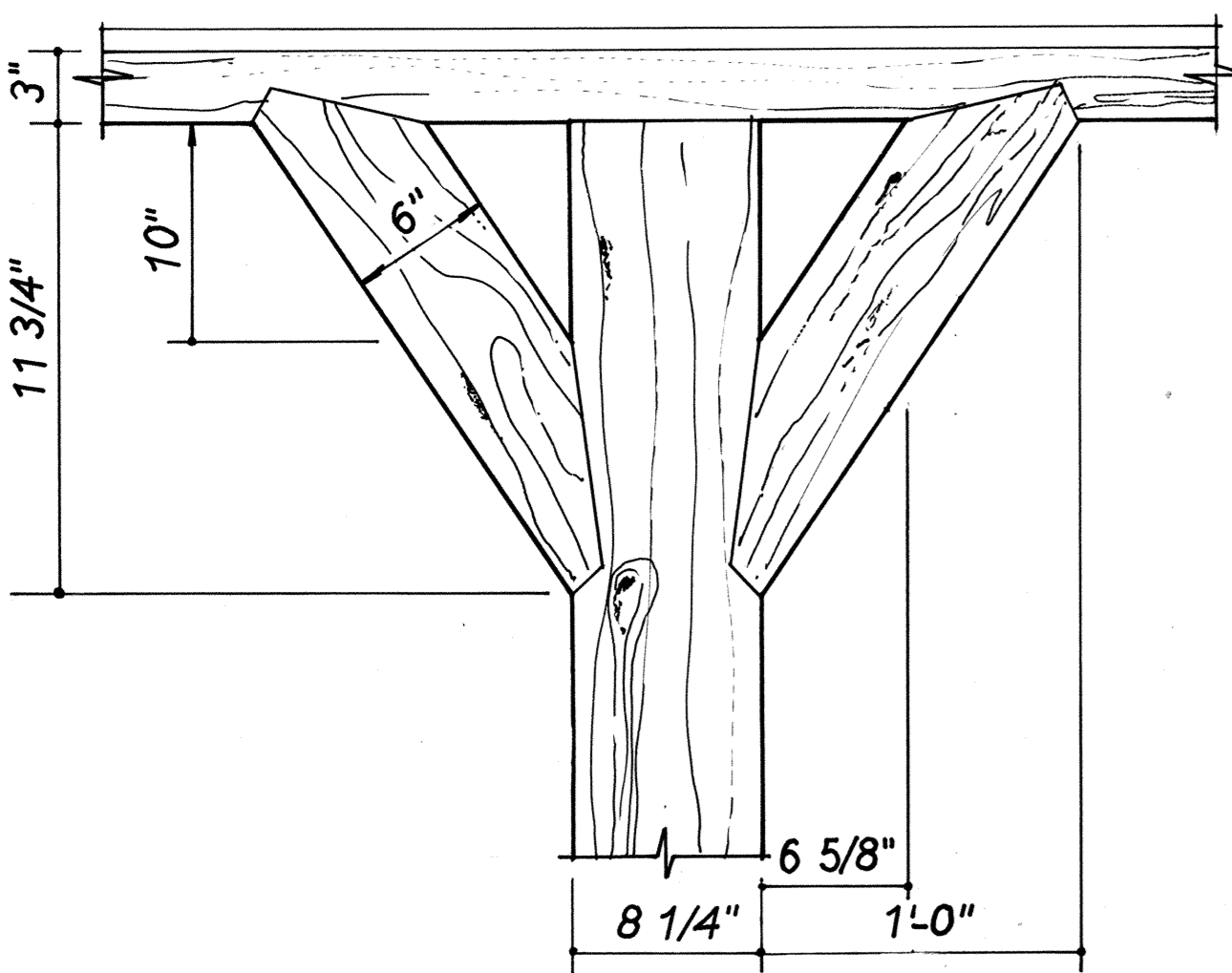
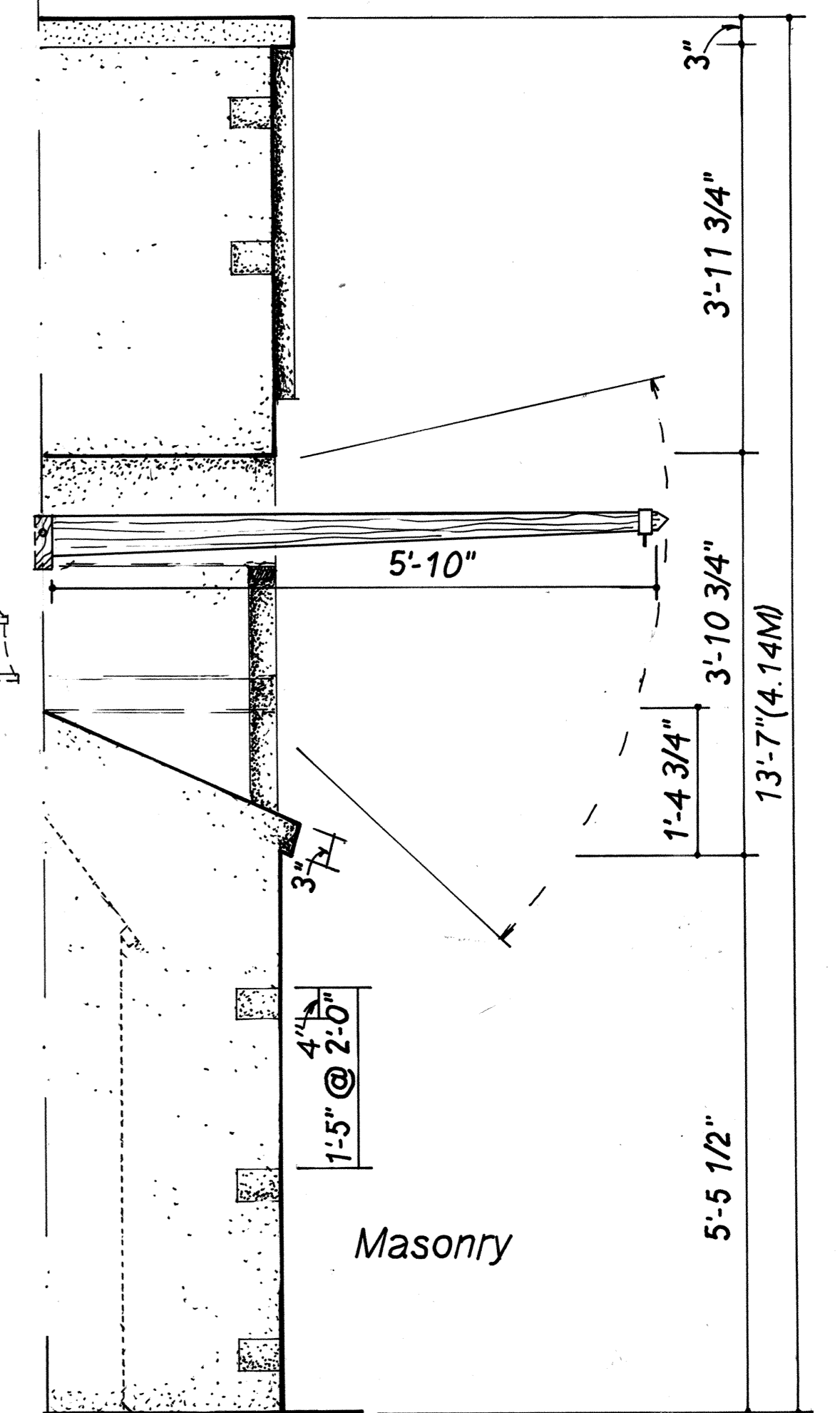
HISTORIC AMERICAN ENGINEERING RECORD ME-54  
 SHEET 1 of 2  
 MAINE  
 NATIONAL PARK SERVICE, NAME OF DELINEATOR, DATE OF THE DRAWING  
 JORDAN POND GATE LODGE-1931  
 PARK LOOP ROAD, ONE MILE NORTH OF SEAL HARBOR  
 HANCOCK COUNTY  
 SEAL HARBOR VICINITY  
 DELINEATED BY: Sarah F. Desbiens, 1995  
 NATIONAL PARK SERVICE  
 ACADIA ROADS & BRIDGES RECORDING PROGRAM  
 UNITED STATES DEPARTMENT OF THE INTERIOR

# JORDAN POND GATELODGE

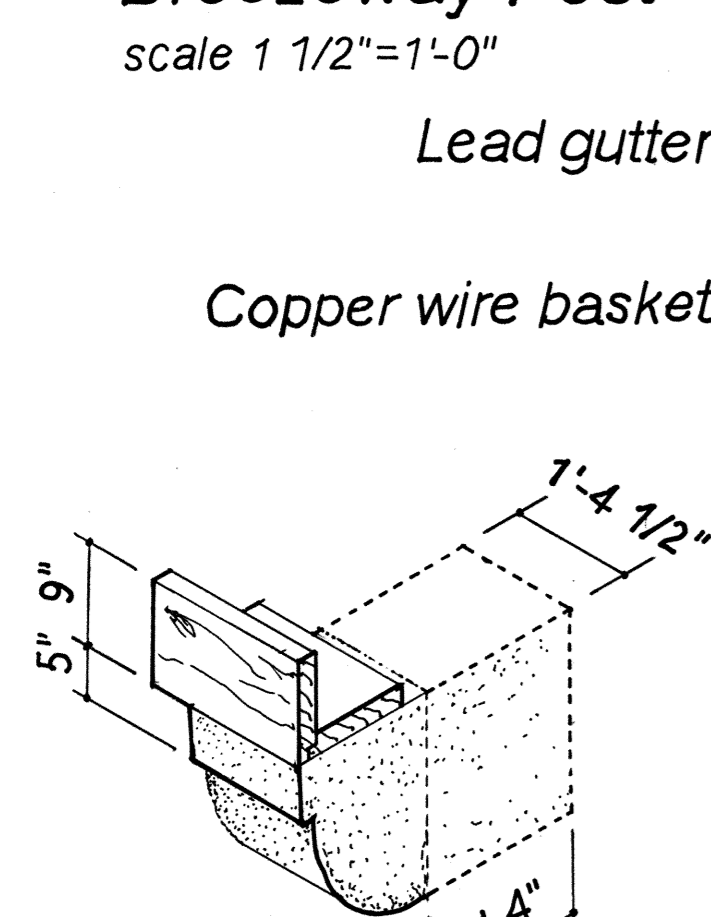
The steeply pitched, side-gabled roofs of the Jordan Pond and Brown Mountain gate lodges, add to their picturesque character. Both are covered with shingle tile and feature matching terra cotta chimney pots. While the Brown Mountain roof is broken by a more central gable, the Jordan Pond Gate Lodge includes three symmetrical half-hipped dormers like the one represented here.



**Chimney**  
scale 3/4"=1'-0"

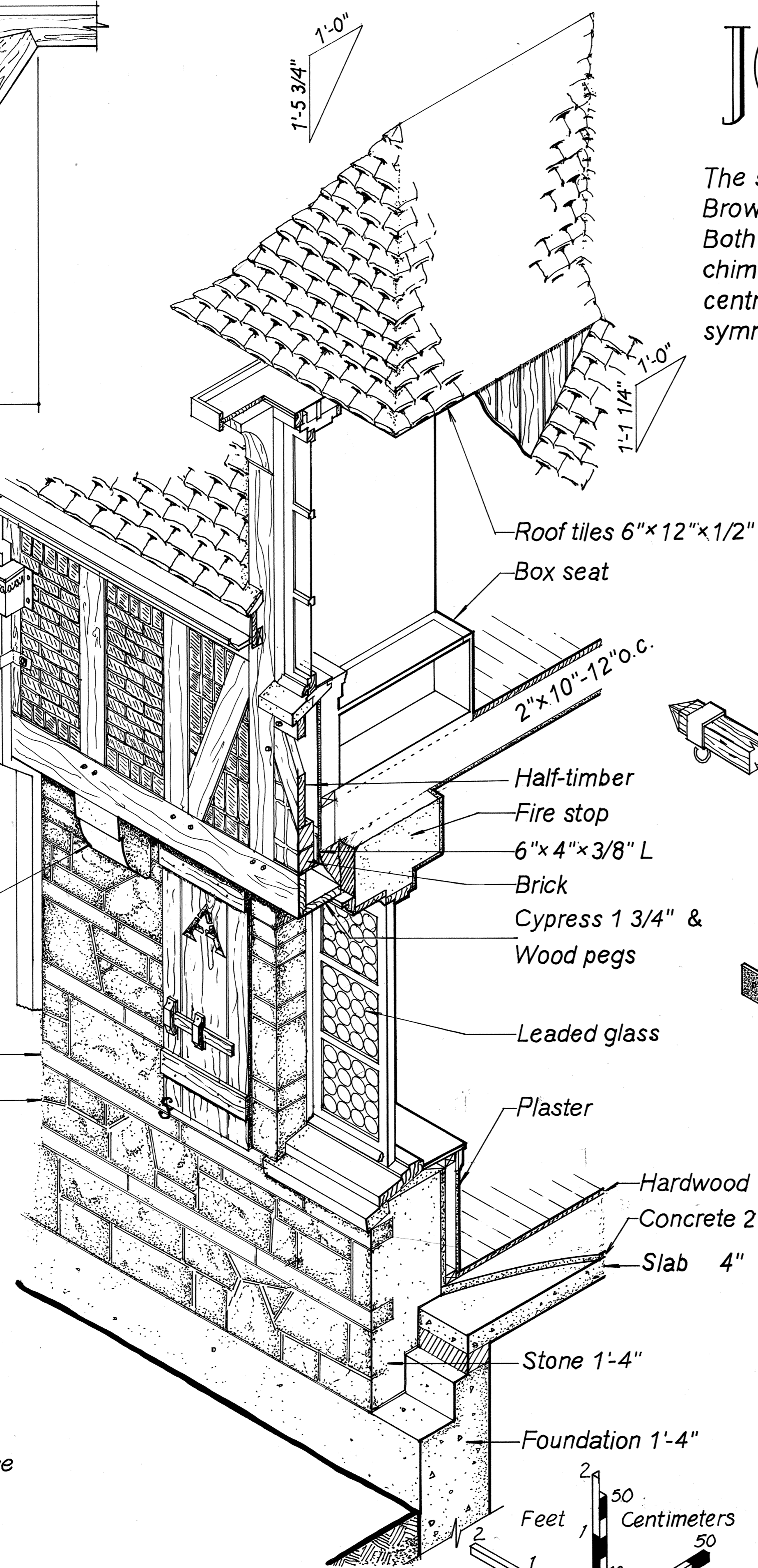


**Breezeway Post**  
scale 1 1/2"=1'-0"

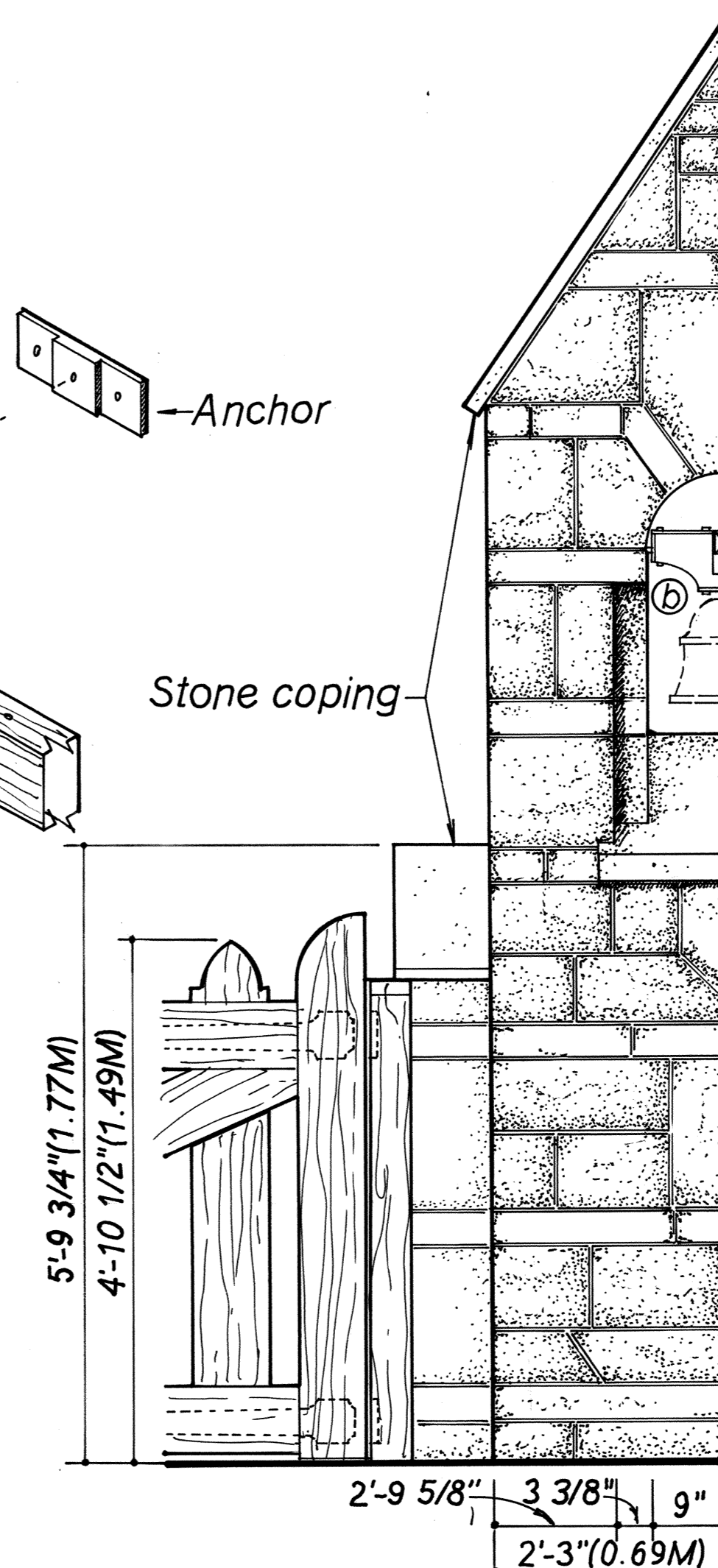
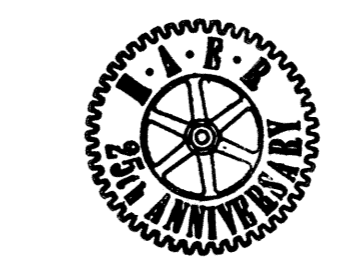
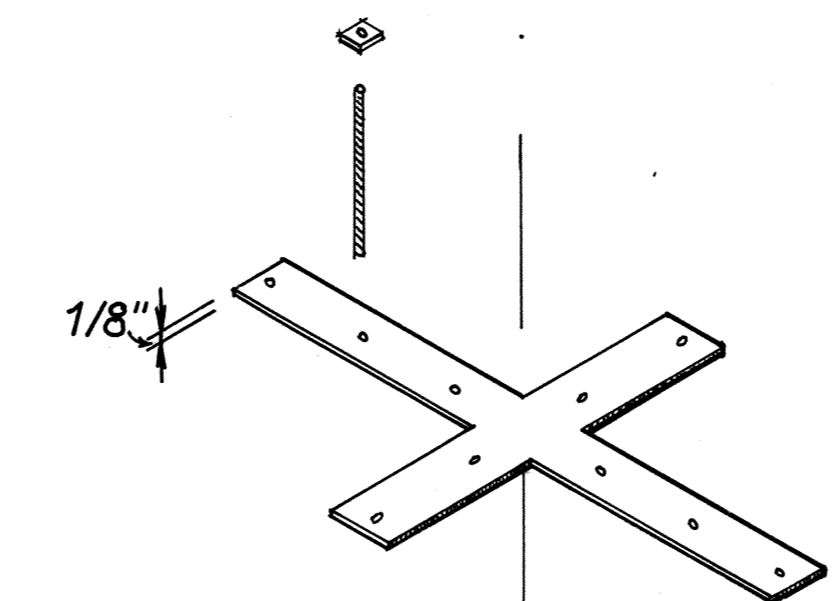
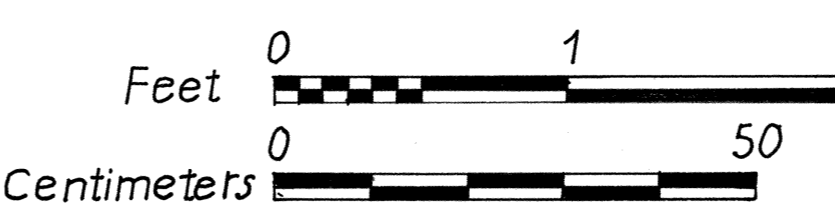
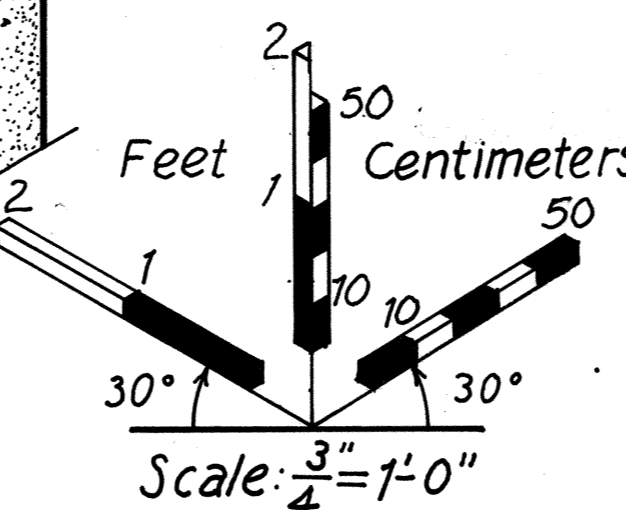


Stone bracket

Seam face granite  
Granite

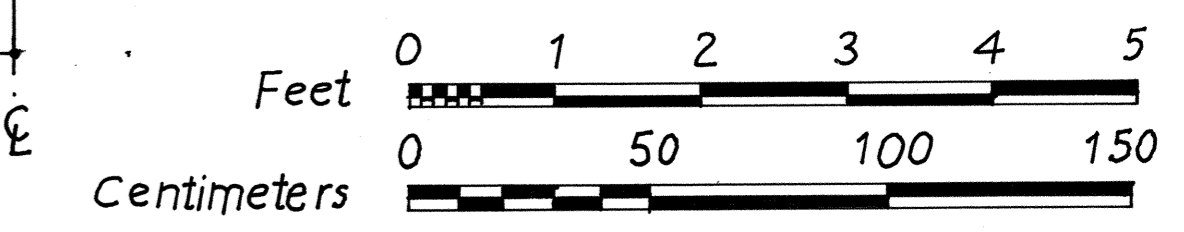


**Wall Section**



**Bell Post** scale 3/4"=1'-0"

The gate and bell system of the Jordan Pond Gate Lodge was intentionally designed to appear rustic. The simple lever mechanism used to ring the bell as well as the gate's unadorned hardware both serve to remind visitors that they are leaving Acadia's motor roads and entering its carriage road system.



The masonry work of both the Jordan Pond and Brown Mountain gate lodges are similar yet far from identical. While the second stories of both structures are half timbered with soft brick infill, the first floor facade of the Jordan Pond Gate Lodge includes different building materials that give it a unique look. Although also banded in the style of the Le Puis district in France, the Jordan Pond facade includes green, seam-faced granite rather than red brick.

JORDAN POND GATE LODGE-1931  
PARK LOOP ROAD, ONE MILE NORTH OF SEAL HARBOR  
HANCOCK COUNTY

SEAL HARBOR VICINITY

DELINEATED BY: Sarah F. Desbiens, 1995  
NATIONAL PARK SERVICE  
ACADIA ROADS & BRIDGES RECORDING PROGRAM  
UNITED STATES DEPARTMENT OF THE INTERIOR

HISTORIC AMERICAN  
ENGINEERING RECORD  
SHEET 2 of 2  
MAINE  
ME-54

IF REPRODUCED, PLEASE CREDIT: HISTORIC AMERICAN ENGINEERING RECORD, NATIONAL PARK SERVICE, NAME OF DELINEATOR, DATE OF THE DRAWING



CLAER N. ME. 341



1918 B 27

HAEL No. ME. 54.2



HAER No. ME. 54.3

HAER No ME.54.4

