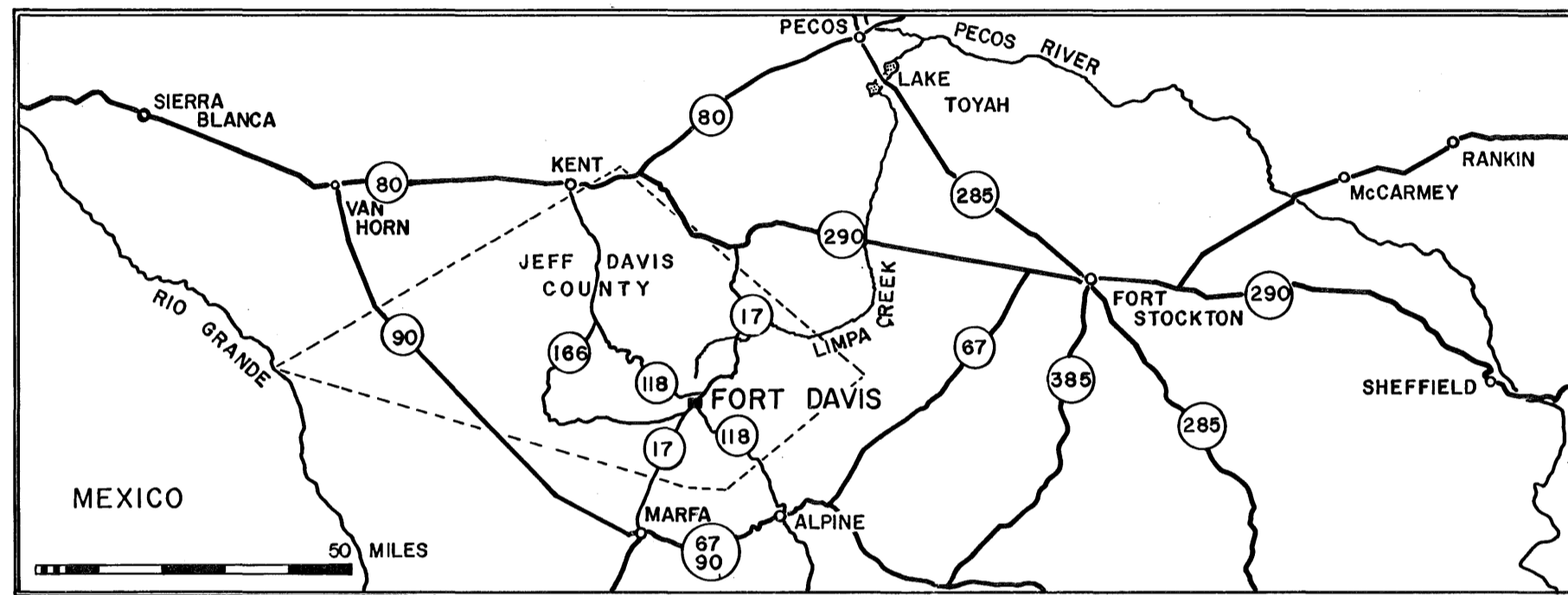
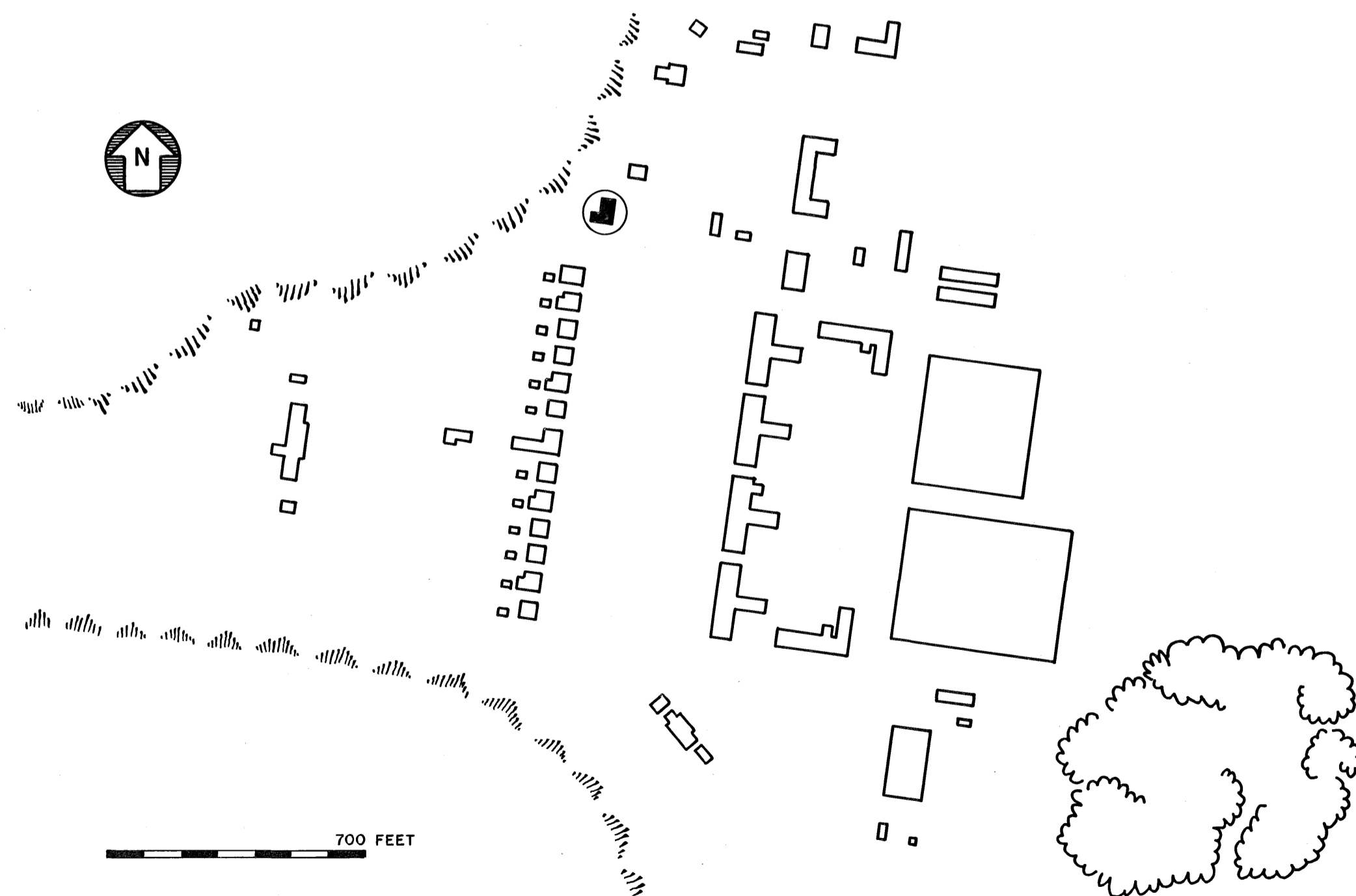


QUARTERS HB-14

FORT DAVIS NATIONAL HISTORIC SITE JEFF DAVIS COUNTY, TEXAS



FORT DAVIS WAS ESTABLISHED IN 1854 TO PROTECT TRAVELERS ON THE OVERLAND TRAIL BETWEEN SAN ANTONIO AND EL PASO, TEXAS. THE ORIGINAL FORT WAS LOCATED IN THE CANYON TO THE WEST OF THE HOSPITAL. TURNED OVER TO CONFEDERATE TROOPS IN 1861, THE FORT WAS ABANDONED A YEAR LATER AND FELL INTO A STATE OF RUIN. CONSTRUCTION OF THE EXISTING (SECOND) FORT BEGAN IN 1867 AND CONTINUED INTERMITTENTLY UNTIL 1891 WHEN FINALLY ABANDONED BY THE ARMY. THE AREA WAS DESIGNATED A NATIONAL HISTORIC SITE IN 1963. THIS BUILDING DATES FROM 1884-1885.



THESE DRAWINGS WERE PREPARED IN THE HABS FORM FOR THE HISTORIC STRUCTURES REPORT AS PART OF THE PROGRAM OF PRESERVATION AND RESTORATION UNDER THE DIRECTION OF THOMAS N. CRELLIN, NPS ARCHITECT, AND H. WAYNE CAGE, STUDENT ARCHITECT OF TEXAS TECHNOLOGICAL COLLEGE, IN 1965.

DRAWN BY: JAMES L. PITTS

PART II HISTORIC STRUCTURES REPORT
EXISTING CONDITIONS - AUGUST 1965
UNDER DIRECTION OF THE NATIONAL PARK SERVICE,
UNITED STATES DEPARTMENT OF THE INTERIOR

NAME AND LOCATION OF STRUCTURE

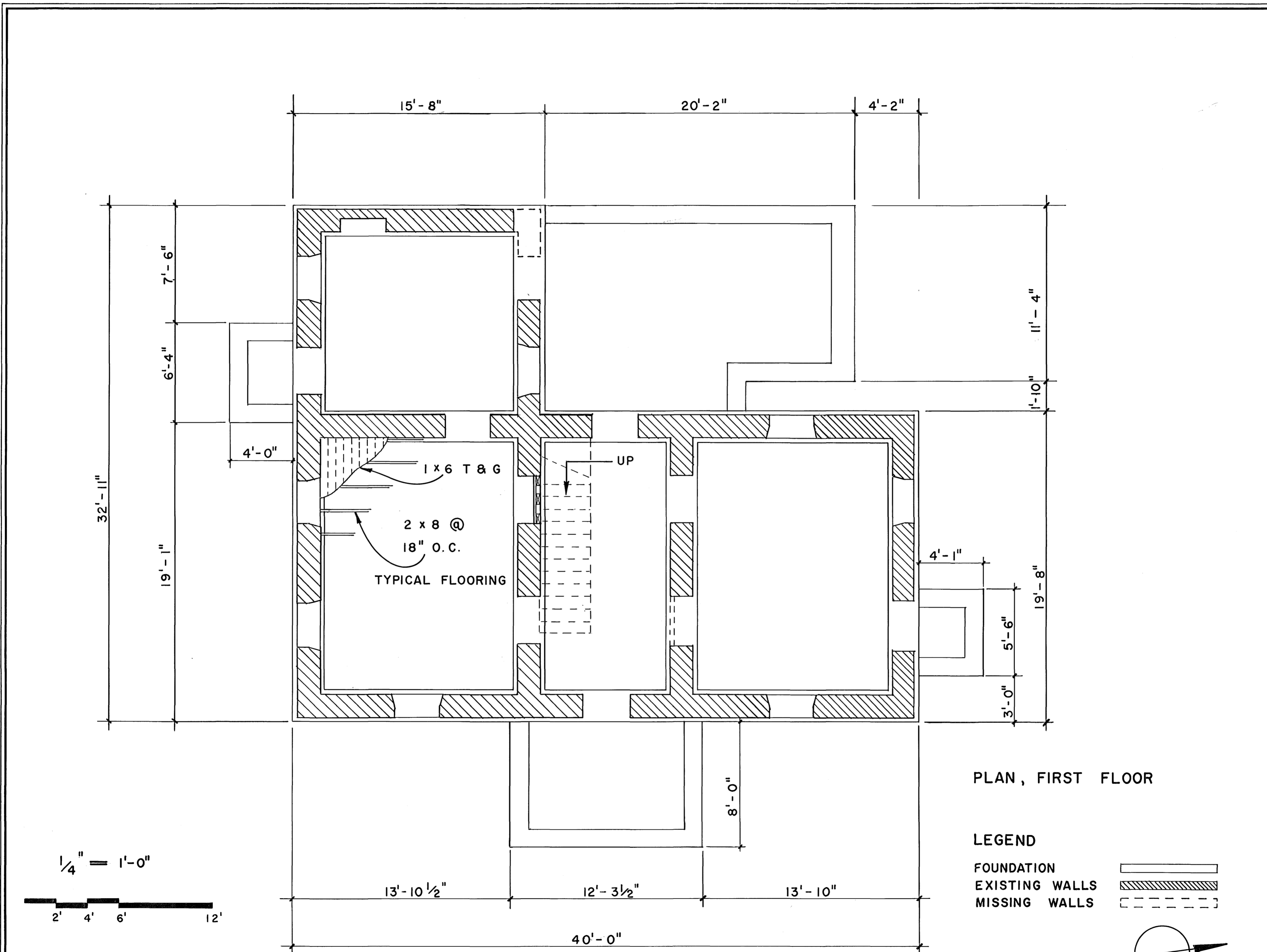
QUARTERS HB-14

FORT DAVIS NATIONAL HISTORIC SITE JEFF DAVIS COUNTY TEXAS

SURVEY NO.
TEXAS
3156

HISTORIC AMERICAN
BUILDINGS SURVEY
SHEET 1 OF 7 SHEETS

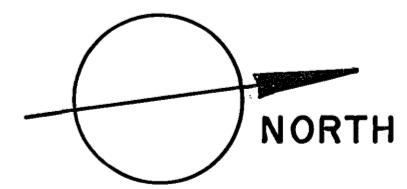
LIBRARY OF CONGRESS
INDEX NUMBER



PLAN, FIRST FLOOR

LEGEND

- FOUNDATION
- EXISTING WALLS
- MISSING WALLS



DRAWN BY: **CAGE**

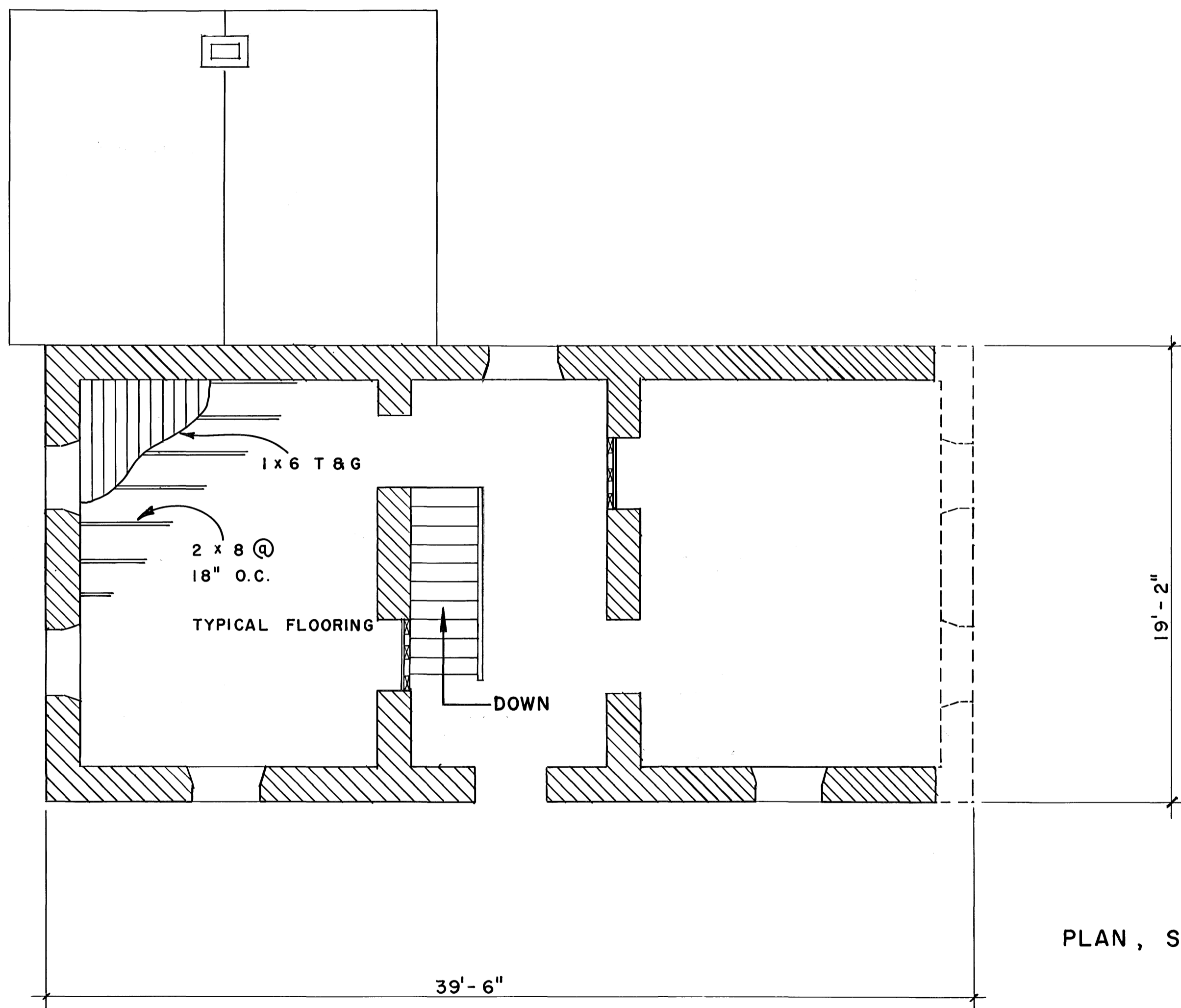
PART II HISTORIC STRUCTURES REPORT
EXISTING CONDITIONS - AUG. 1965
 UNDER DIRECTION OF THE NATIONAL PARK SERVICE,
 UNITED STATES DEPARTMENT OF THE INTERIOR

OFFICERS QUARTERS
HB-14 — FORT DAVIS NATIONAL HISTORIC SITE — JEFF DAVIS COUNTY, TEXAS


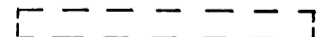
SURVEY NO.
 TEXAS
 3156

HISTORIC AMERICAN
 BUILDINGS SURVEY
 SHEET 2 OF 7 SHEETS

LIBRARY OF CONGRESS
 INDEX NUMBER



PLAN, SECOND FLOOR

LEGEND
 EXISTING WALLS 
 MISSING WALLS 

1/4" = 1'-0"



DRAWN BY: CAGE

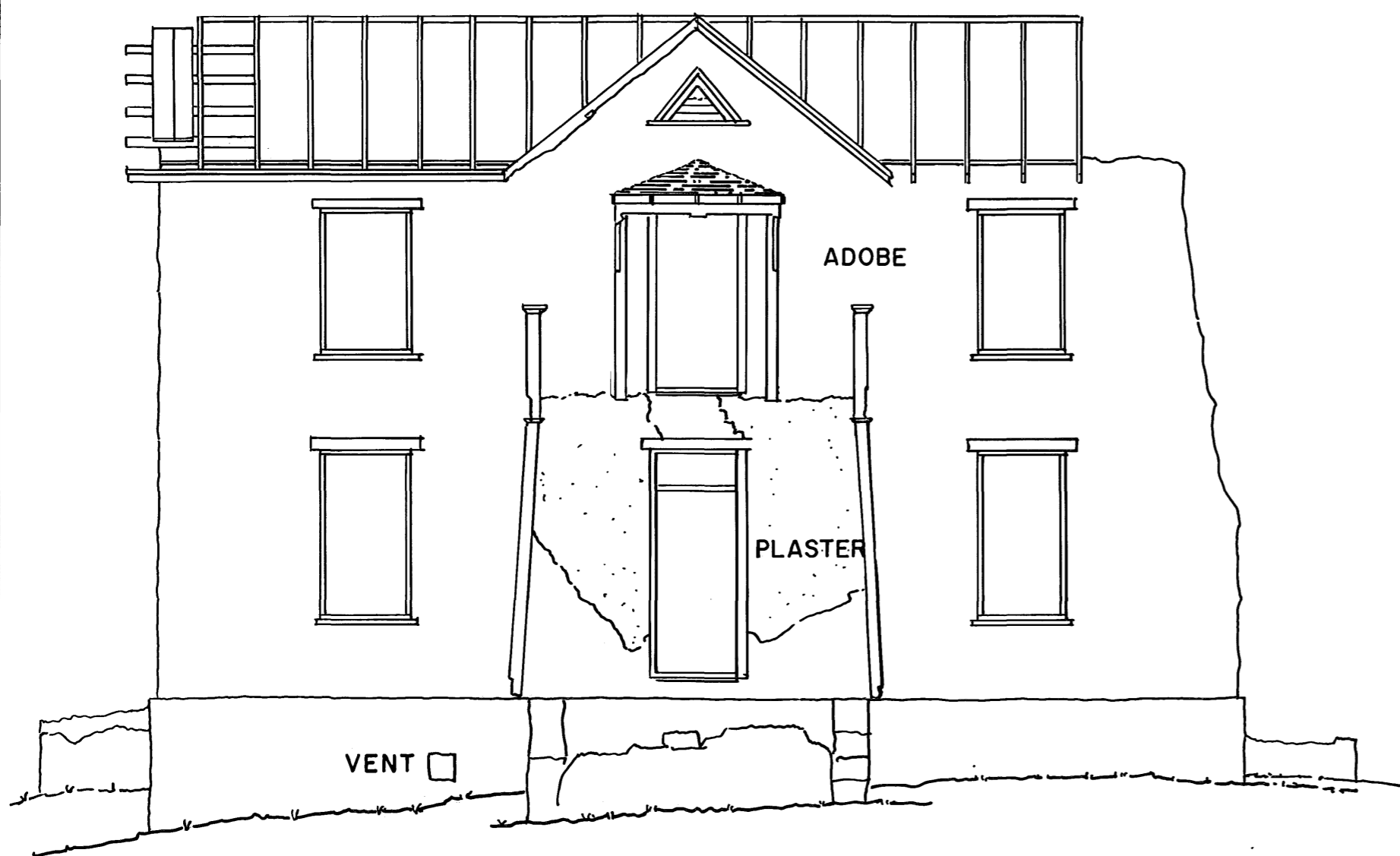
PART II HISTORIC STRUCTURES REPORT
 EXISTING CONDITIONS - AUG. 1965
 UNDER DIRECTION OF THE NATIONAL PARK SERVICE,
 UNITED STATES DEPARTMENT OF THE INTERIOR

NAME AND LOCATION OF STRUCTURE
 OFFICERS QUARTERS
 HB-14 - FORT DAVIS NATIONAL HISTORIC SITE - JEFF DAVIS COUNTY, TEXAS

SURVEY NO.
 TEXAS
 3156

HISTORIC AMERICAN
 BUILDINGS SURVEY
 SHEET 3 OF 7 SHEETS

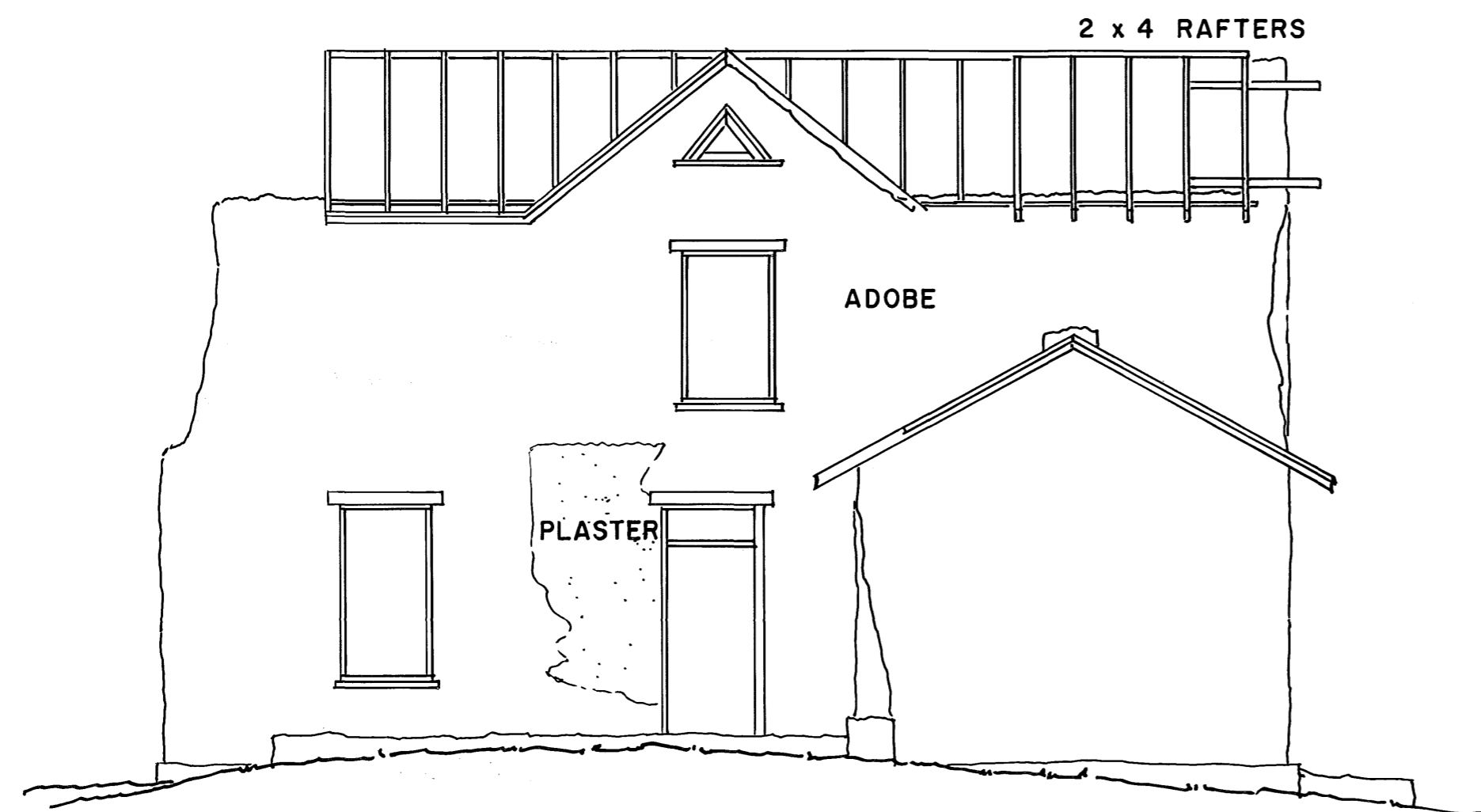
LIBRARY OF CONGRESS INDEX NUMBER



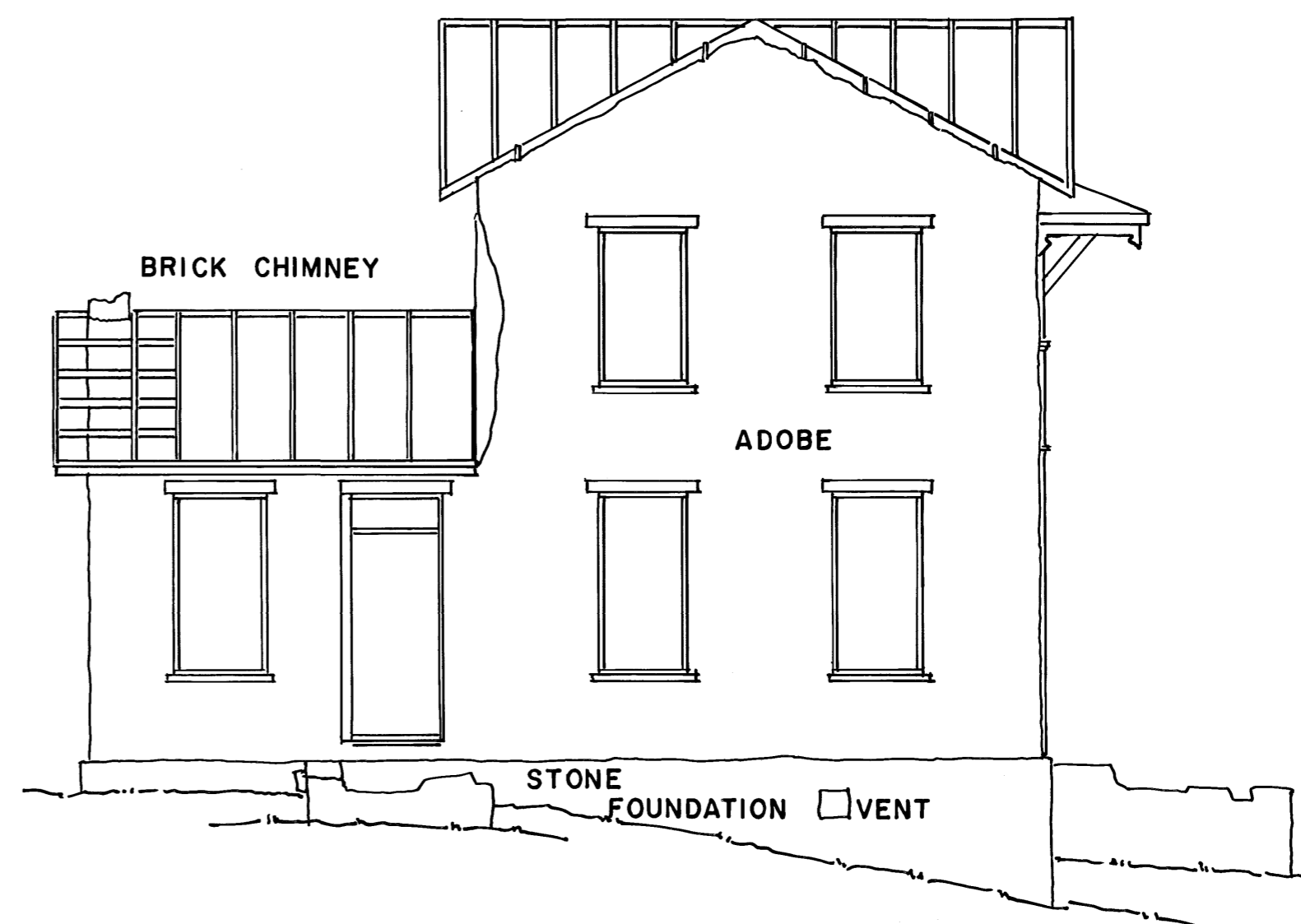
EAST ELEVATION
 $\frac{3}{16}'' = 1'-0''$



NORTH ELEVATION
 $\frac{3}{16}'' = 1'-0''$



WEST ELEVATION
 $\frac{3}{16}'' = 1'-0''$



SOUTH ELEVATION
 $\frac{3}{16}'' = 1'-0''$

EXISTING ELEVATIONS

DRAWN BY: CAGE

PART II HISTORIC STRUCTURES REPORT
 EXISTING CONDITIONS - AUG. 1965
 UNDER DIRECTION OF THE NATIONAL PARK SERVICE,
 UNITED STATES DEPARTMENT OF THE INTERIOR

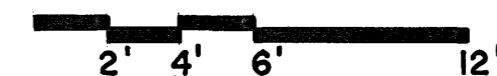
OFFICERS QUARTERS
 HB-14 — FORT DAVIS NATIONAL HISTORIC SITE — JEFF DAVIS COUNTY, TEXAS

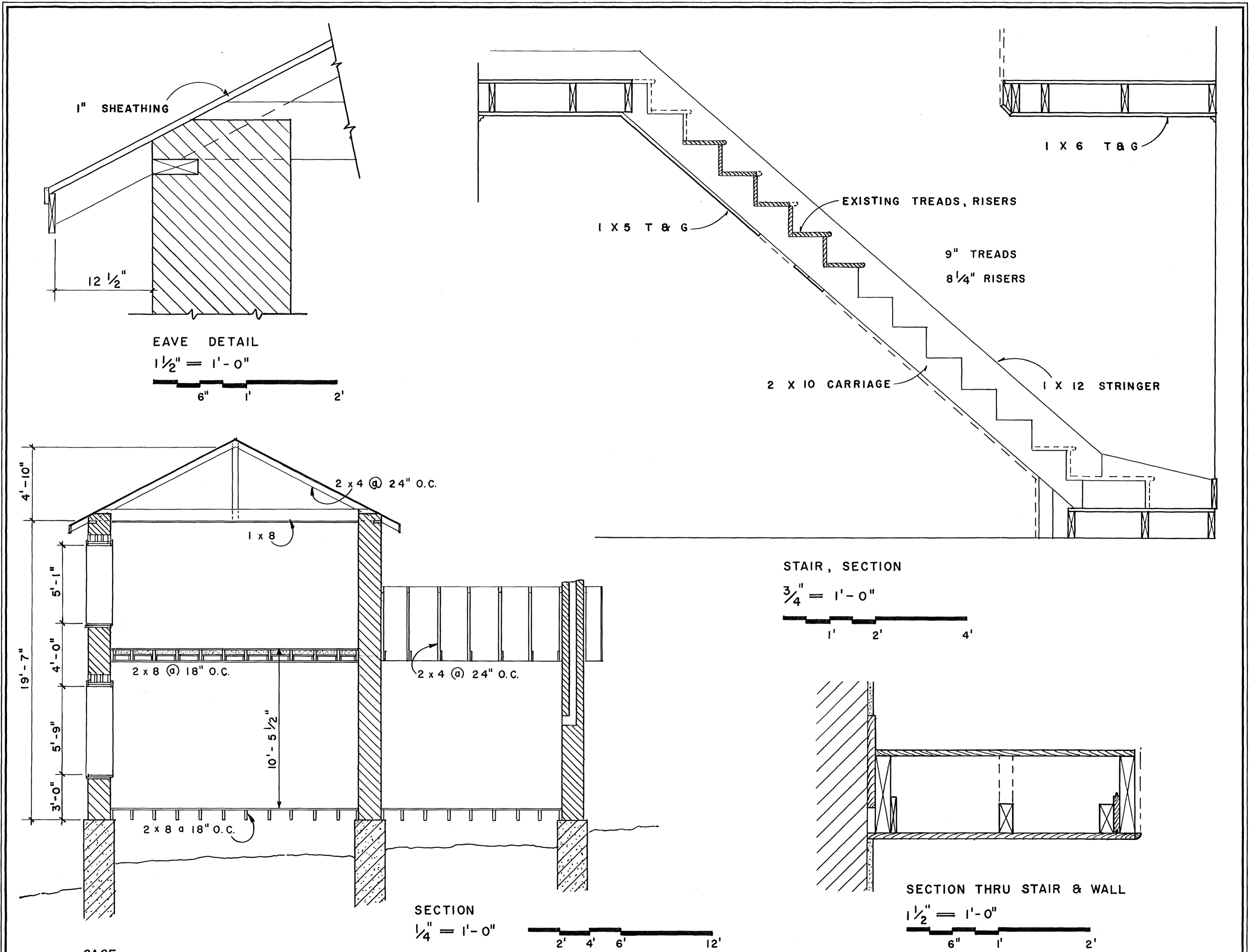
NAME AND LOCATION OF STRUCTURE

SURVEY NO.
 TEXAS
 3156

HISTORIC AMERICAN
 BUILDINGS SURVEY
 SHEET 4 OF 7 SHEETS

LIBRARY OF CONGRESS
 INDEX NUMBER





DRAWN BY: CAGE

PART II HISTORIC STRUCTURES REPORT
 EXISTING CONDITIONS - AUG. 1965
 UNDER DIRECTION OF THE NATIONAL PARK SERVICE,
 UNITED STATES DEPARTMENT OF THE INTERIOR

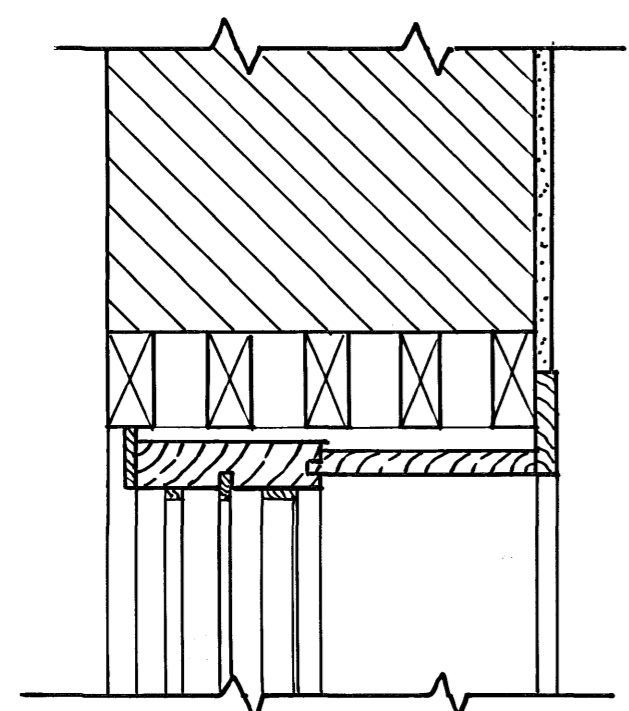
OFFICERS QUARTERS
 HB-14 - FORT DAVIS NATIONAL HISTORIC SITE - JEFF DAVIS COUNTY, TEXAS

NAME AND LOCATION OF STRUCTURE

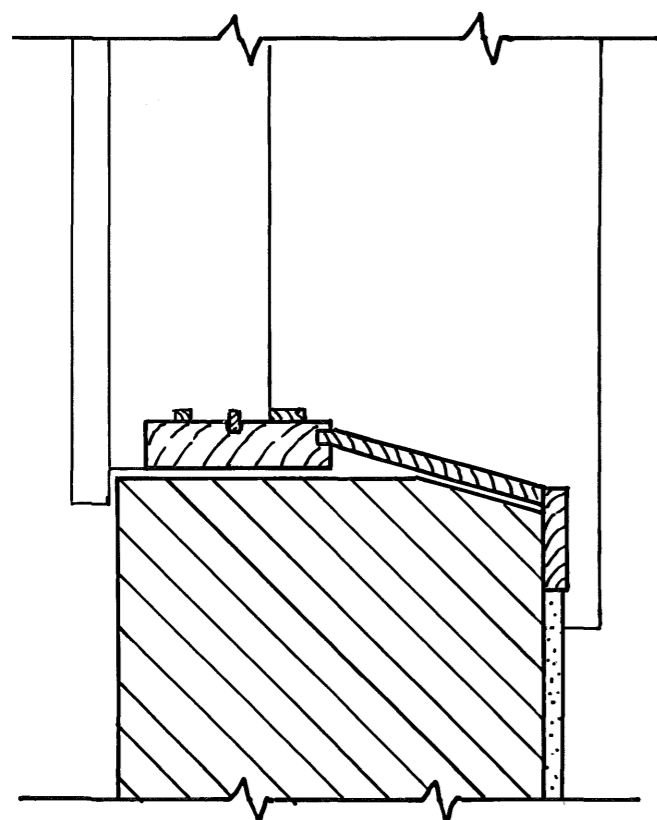
SURVEY NO.
 TEXAS
 3156

HISTORIC AMERICAN
 BUILDINGS SURVEY
 SHEET 5 OF 7 SHEETS

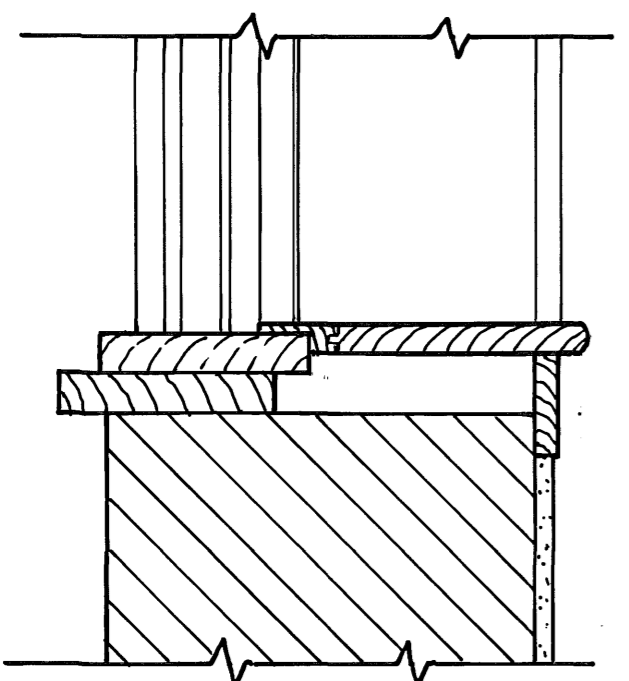
LIBRARY OF CONGRESS INDEX NUMBER



HEAD



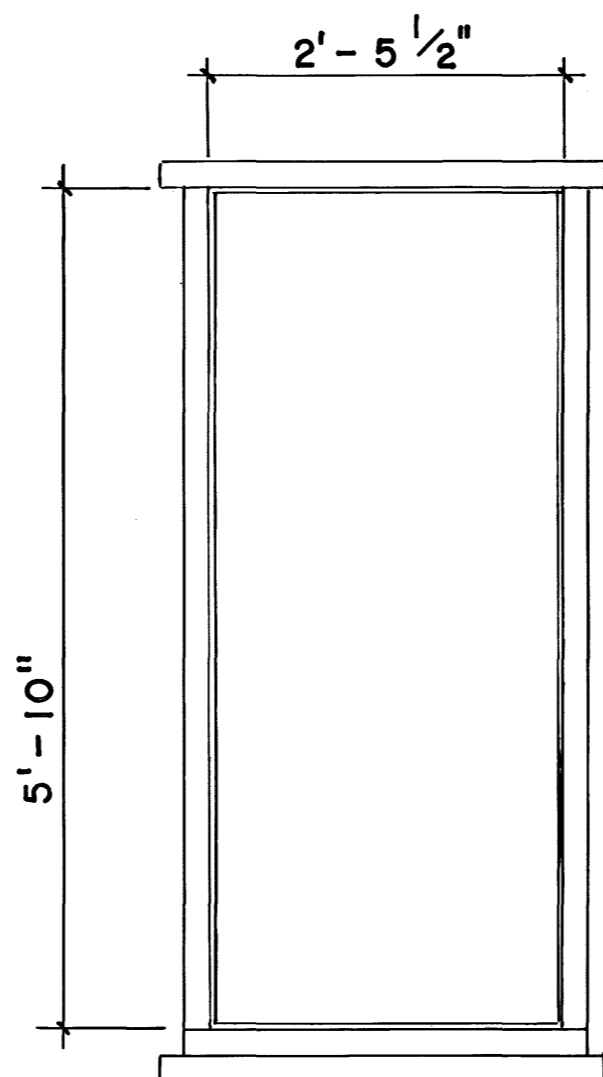
JAMB



SILL

WINDOW DETAIL

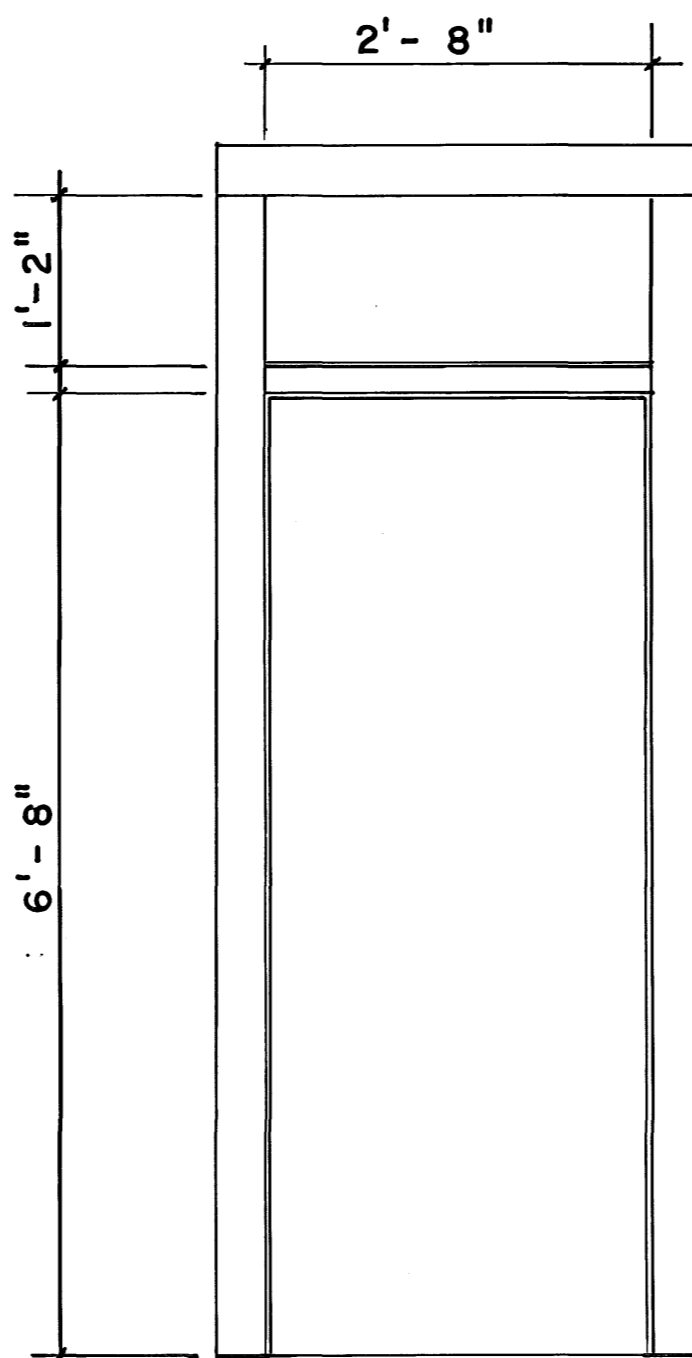
1 1/2" = 1'-0"



WINDOW ELEVATION

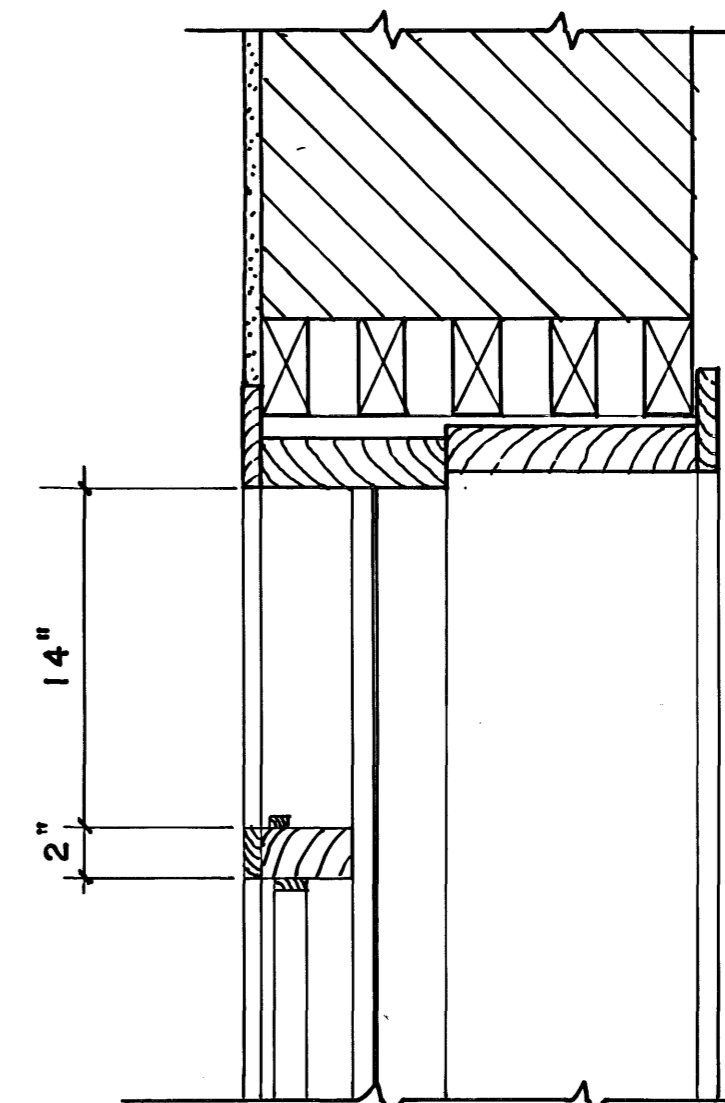
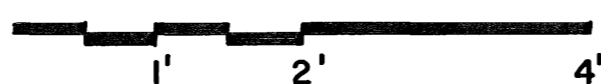
3/4" = 1'-0"

2'-8"



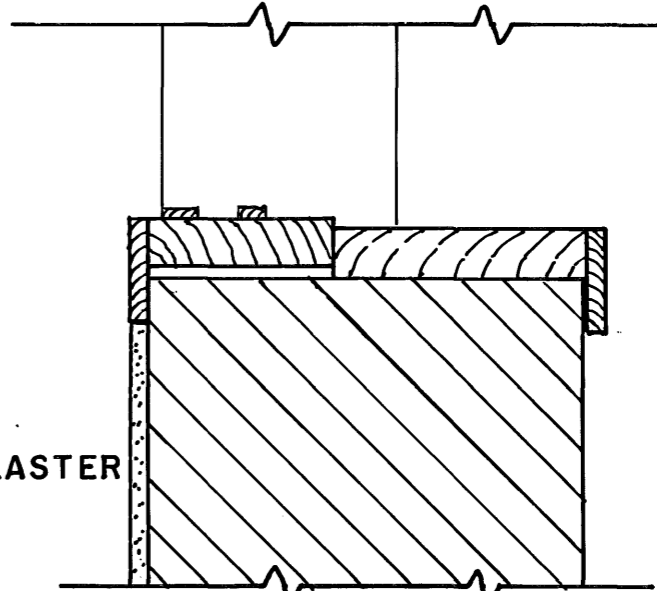
DOOR ELEVATION

3/4" = 1'-0"



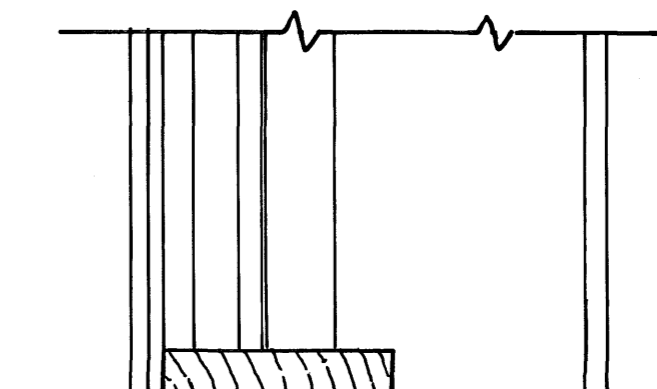
HEAD AND TRANSOM

EXTERIOR



JAMB

PLASTER



SILL

DOOR DETAIL

1 1/2" = 1'-0"



DRAWN BY: CAGE

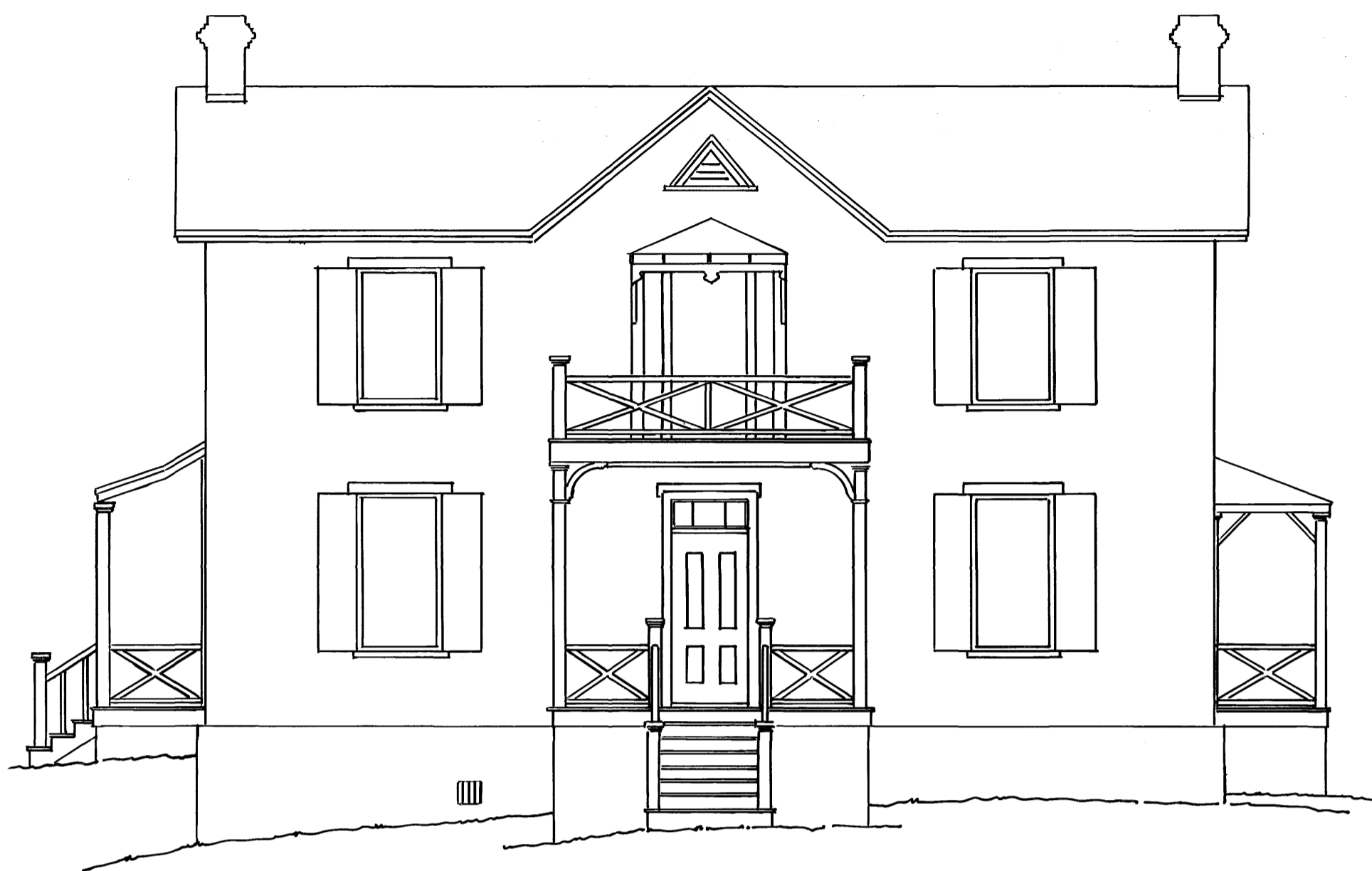
PART II HISTORIC STRUCTURES REPORT
EXISTING CONDITIONS - AUG. 1965
UNDER DIRECTION OF THE NATIONAL PARK SERVICE,
UNITED STATES DEPARTMENT OF THE INTERIOR

NAME AND LOCATION OF STRUCTURE
OFFICERS QUARTERS
HB-14 — FORT DAVIS NATIONAL HISTORIC SITE — JEFF DAVIS COUNTY, TEXAS

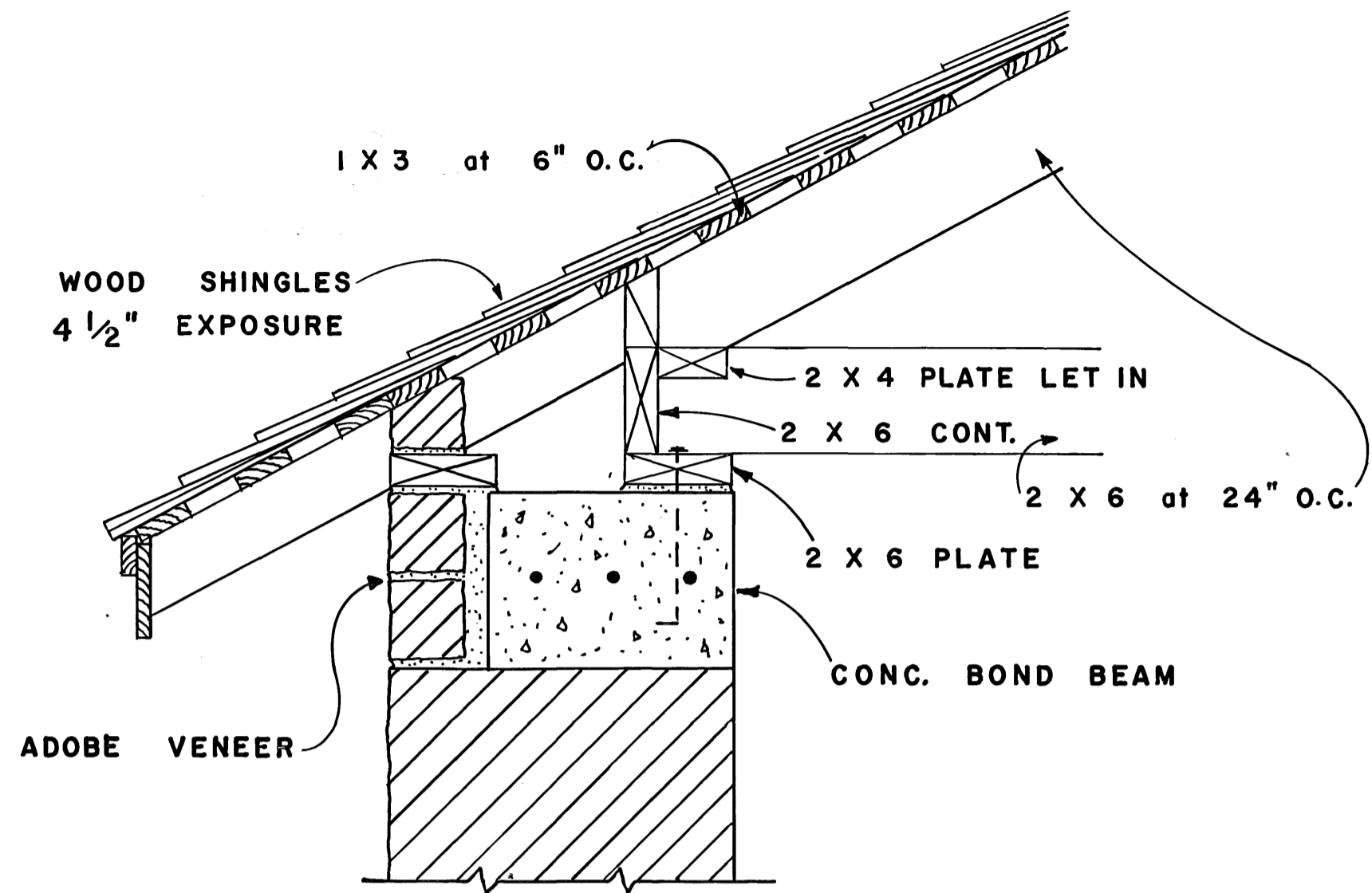
SURVEY NO.
TEXAS
3156

HISTORIC AMERICAN
BUILDINGS SURVEY
SHEET 6 OF 7 SHEETS

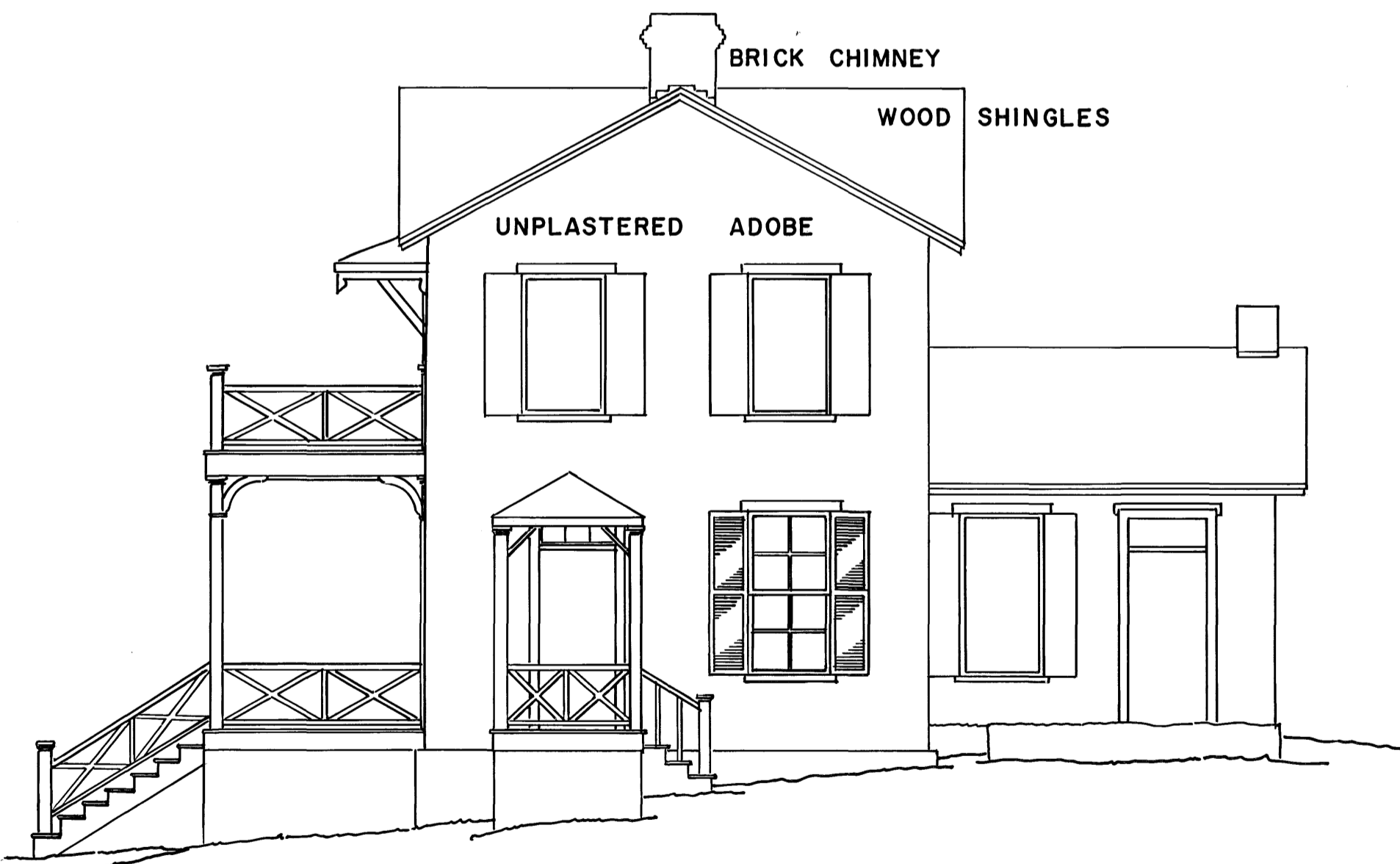
LIBRARY OF CONGRESS
INDEX NUMBER



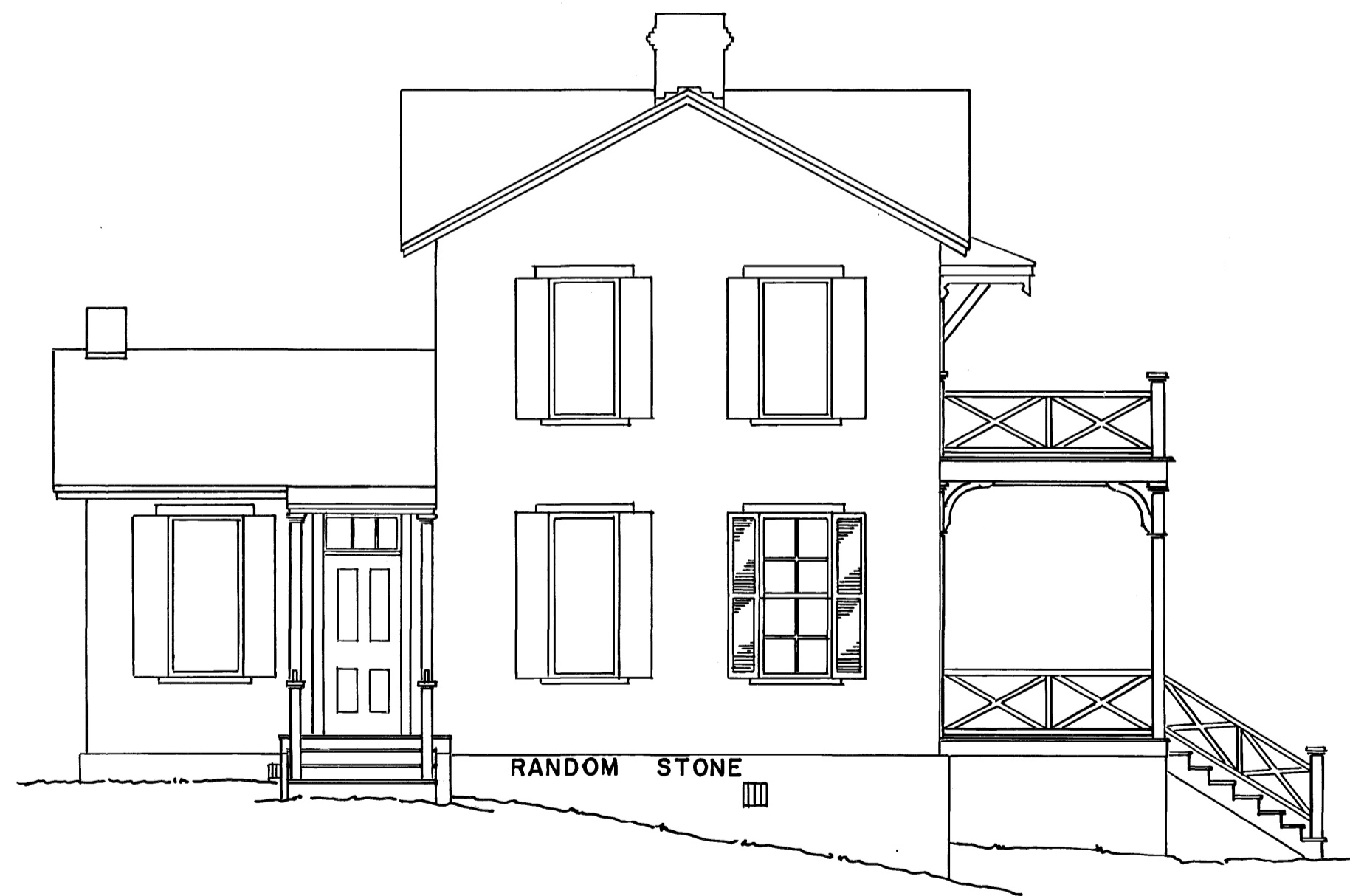
EAST ELEVATION
3/16" = 1'-0"



ROOF FRAMING DETAIL (RECONSTRUCTION)
1 1/2" = 1'-0"
6" 1' 2'



NORTH ELEVATION
3/16" = 1'-0"



SOUTH ELEVATION
3/16" = 1'-0"
2' 4' 6' 12'

RESTORED ELEVATIONS

DRAWN BY: CAGE

PART II HISTORIC STRUCTURES REPORT
RESTORED ELEVATIONS - FROM PHOTOS
UNDER DIRECTION OF THE NATIONAL PARK SERVICE,
UNITED STATES DEPARTMENT OF THE INTERIOR

OFFICERS QUARTERS
HB-14 — FORT DAVIS NATIONAL HISTORIC SITE — JEFF DAVIS COUNTY, TEXAS

NAME AND LOCATION OF STRUCTURE

SURVEY NO.
TEXAS
3156

HISTORIC AMERICAN
BUILDINGS SURVEY
SHEET 7 OF 7 SHEETS

LIBRARY OF CONGRESS
INDEX NUMBER