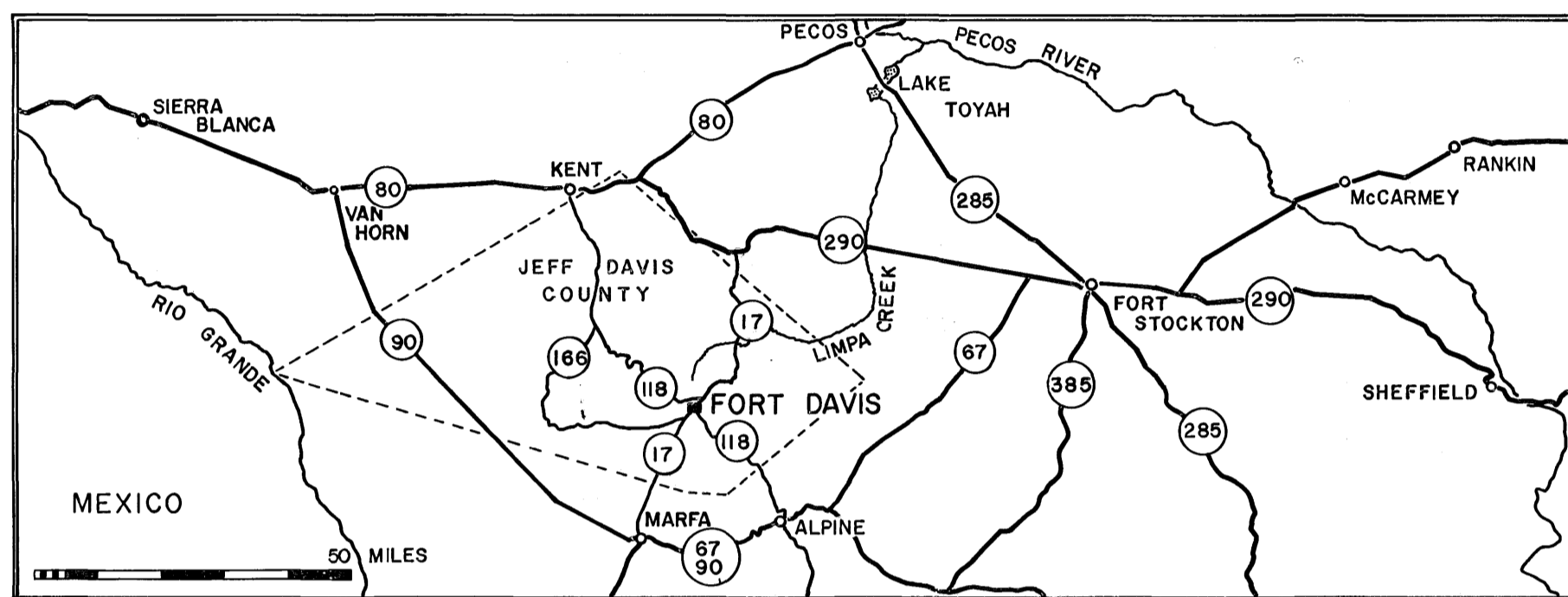


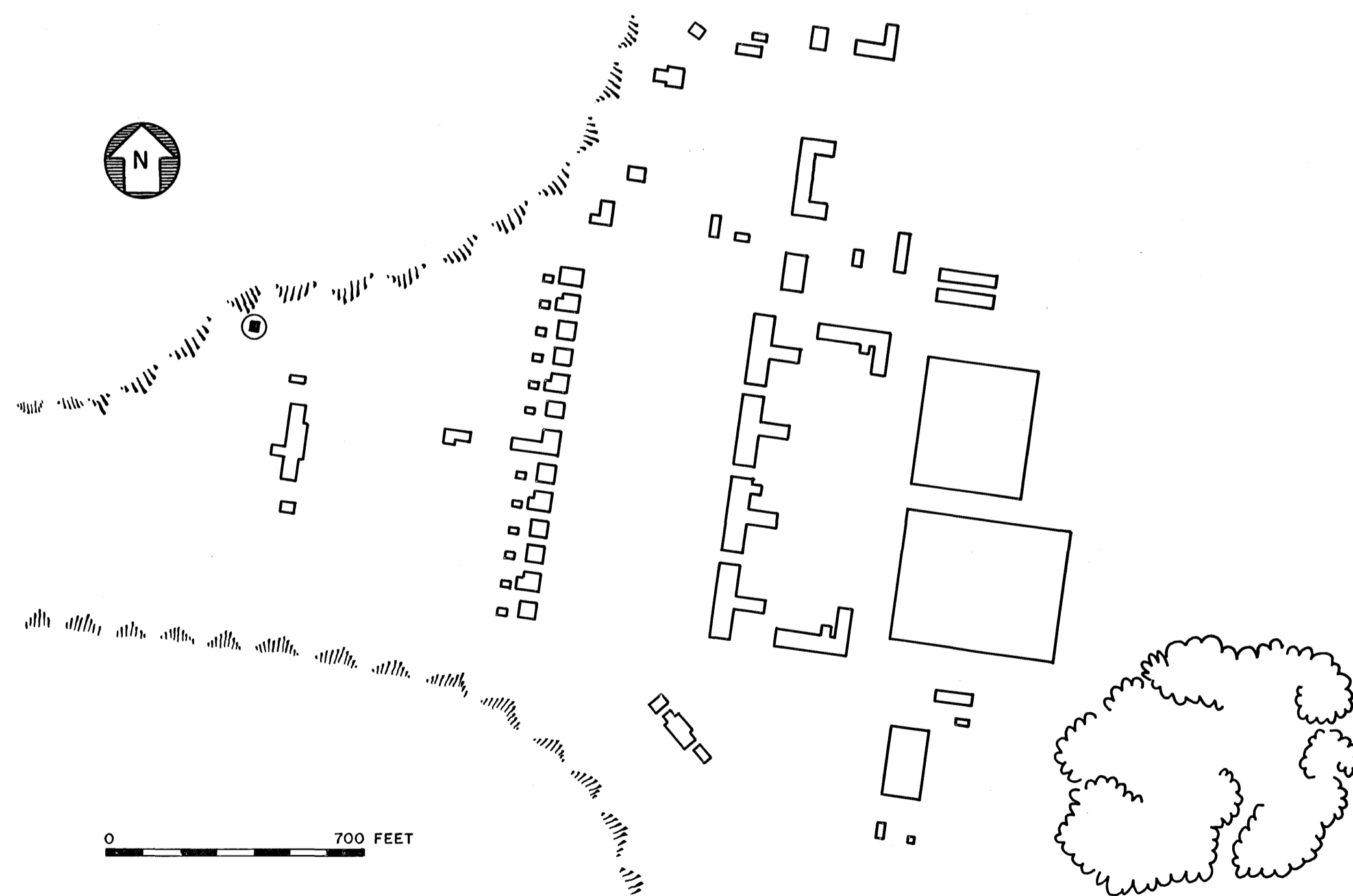
# MAGAZINE HB-49

## FORT DAVIS NATIONAL HISTORIC SITE

### JEFF DAVIS COUNTY, TEXAS



FORT DAVIS WAS ESTABLISHED IN 1854 TO PROTECT TRAVELERS ON THE OVERLAND TRAIL BETWEEN SAN ANTONIO AND EL PASO, TEXAS. THE ORIGINAL FORT WAS LOCATED IN THE CANYON TO THE WEST OF THE HOSPITAL. TURNED OVER TO CONFEDERATE TROOPS IN 1861, THE FORT WAS ABANDONED A YEAR LATER AND FELL INTO A STATE OF RUIN. CONSTRUCTION OF THE EXISTING (SECOND) FORT BEGAN IN 1867 AND CONTINUED INTERMITTENTLY UNTIL 1891 WHEN FINALLY ABANDONED BY THE ARMY. THE AREA WAS DESIGNATED A NATIONAL HISTORIC SITE IN 1963. THIS BUILDING DATES FROM ABOUT 1883.



THESE DRAWINGS WERE PREPARED IN THE HABS FORM FOR THE HISTORIC STRUCTURES REPORT AS PART OF THE PROGRAM OF PRESERVATION AND RESTORATION UNDER THE DIRECTION OF THOMAS N. CRELLIN, NPS ARCHITECT, AND H. WAYNE CAGE, STUDENT ARCHITECT OF TEXAS TECHNOLOGICAL COLLEGE, IN 1965.

DRAWN BY: JAMES L. PITTS

PART II HISTORIC STRUCTURES REPORT  
EXISTING CONDITIONS - AUGUST 1965  
UNDER DIRECTION OF THE NATIONAL PARK SERVICE,  
UNITED STATES DEPARTMENT OF THE INTERIOR

NAME AND LOCATION OF STRUCTURE

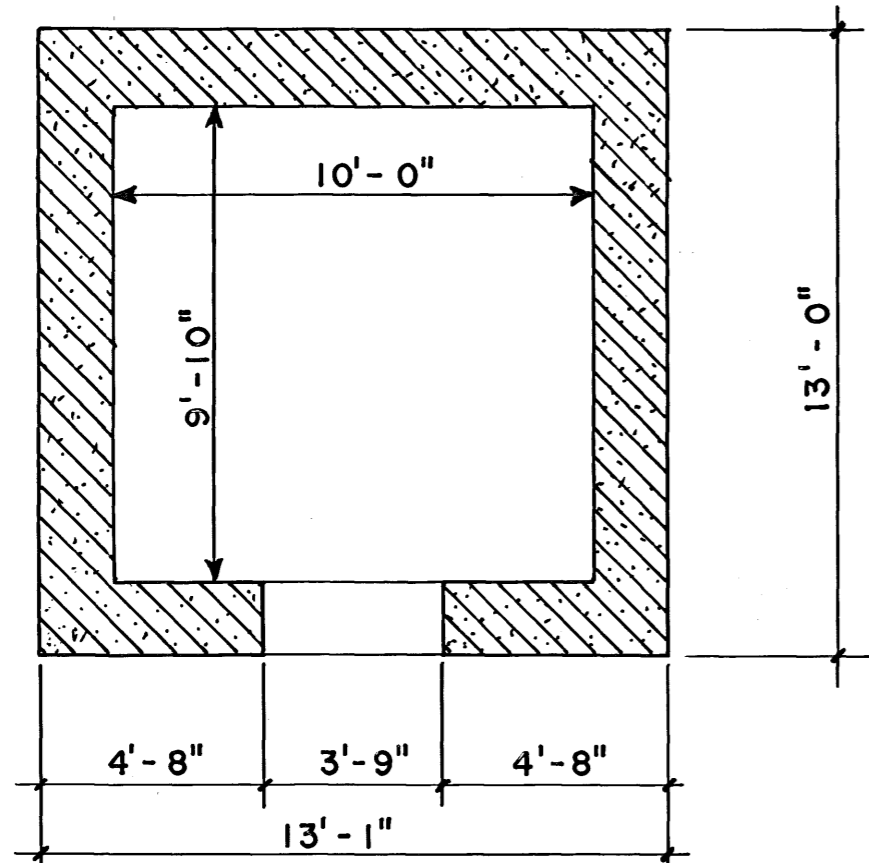
MAGAZINE HB-49

FORT DAVIS NATIONAL HISTORIC SITE JEFF DAVIS COUNTY - TEXAS

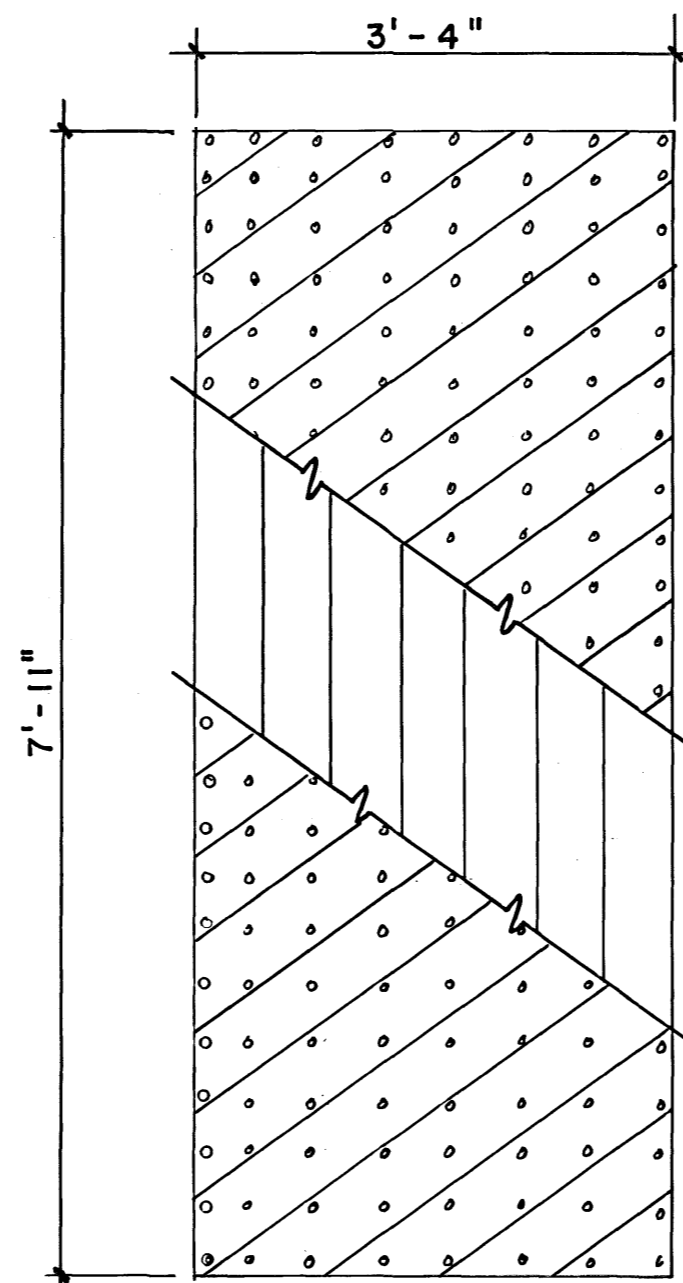
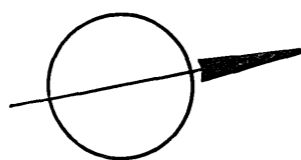
SURVEY NO.  
TEXAS  
3159

HISTORIC AMERICAN  
BUILDINGS SURVEY  
SHEET 1 OF 2 SHEETS

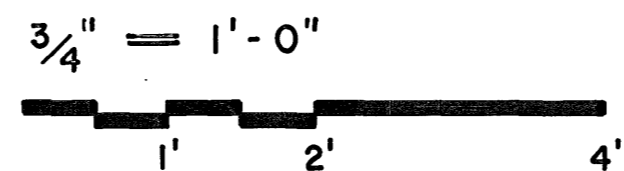
LIBRARY OF CONGRESS  
INDEX NUMBER



PLAN  
 $\frac{1}{4}'' = 1'-0''$

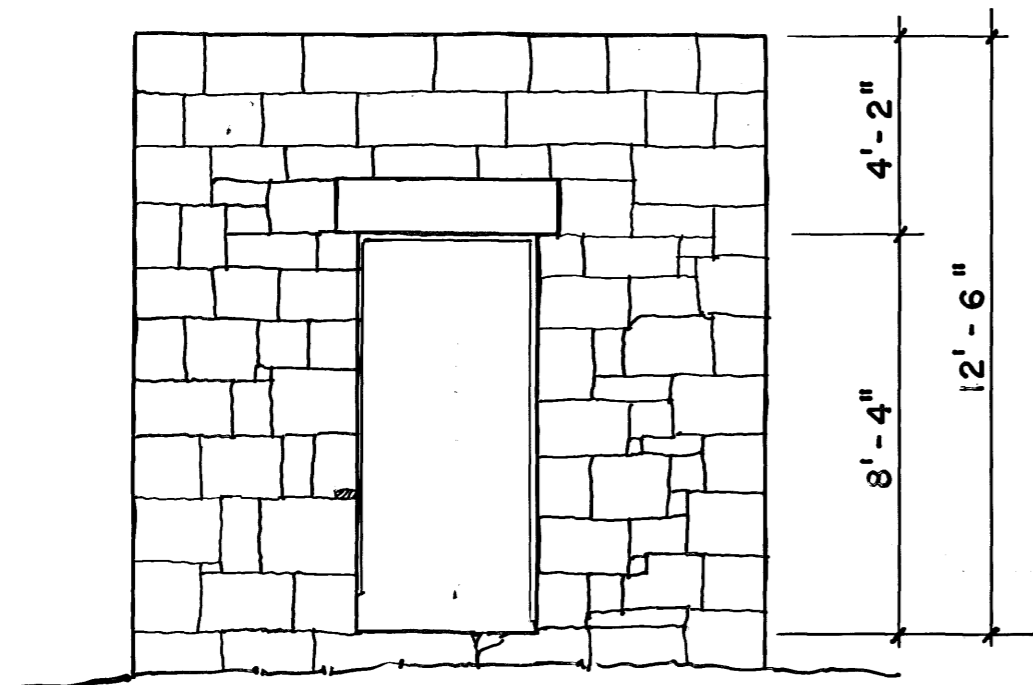


DOOR ELEVATION



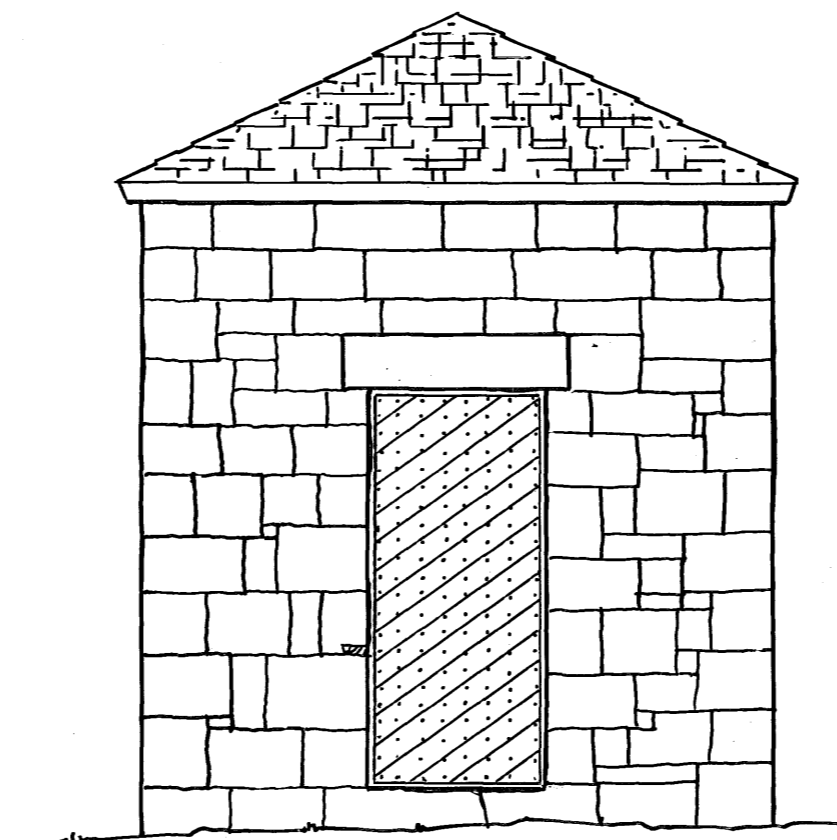
STUDDED NAILS

1 x 6 T & G LAID  
 DIAGONALLY OVER  
 1 x 6 T & G LAID  
 VERTICALLY

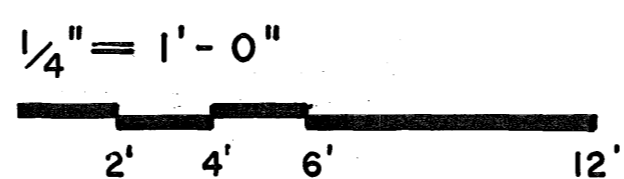


EAST ELEVATION

$\frac{1}{4}'' = 1'-0''$

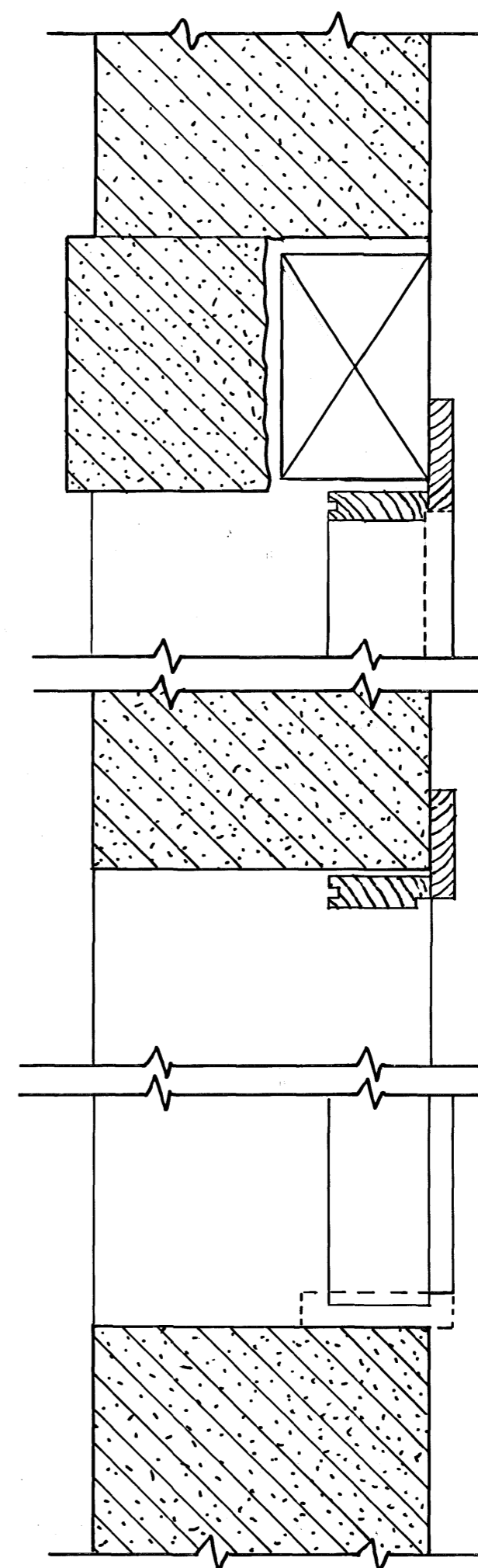


RECONSTRUCTED ELEVATION



WOOD SHINGLES

VOLCANIC TUFF  
 WALL



HEAD

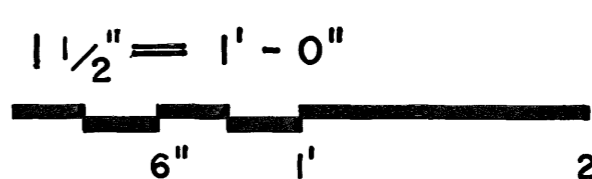
DOOR

JAMB

SILL

INTERIOR

DOOR DETAIL



DRAWN BY: CAGE

PART II HISTORIC STRUCTURES REPORT  
 EXISTING CONDITIONS - AUG. 1965  
 UNDER DIRECTION OF THE NATIONAL PARK SERVICE,  
 UNITED STATES DEPARTMENT OF THE INTERIOR

MAGAZINE

HB-49 — FORT DAVIS NATIONAL HISTORIC SITE — JEFF DAVIS COUNTY, TEXAS

NAME AND LOCATION OF STRUCTURE

SURVEY NO.  
 TEXAS  
 3159

HISTORIC AMERICAN  
 BUILDINGS SURVEY  
 SHEET 2 OF 2 SHEETS

LIBRARY OF CONGRESS  
 INDEX NUMBER