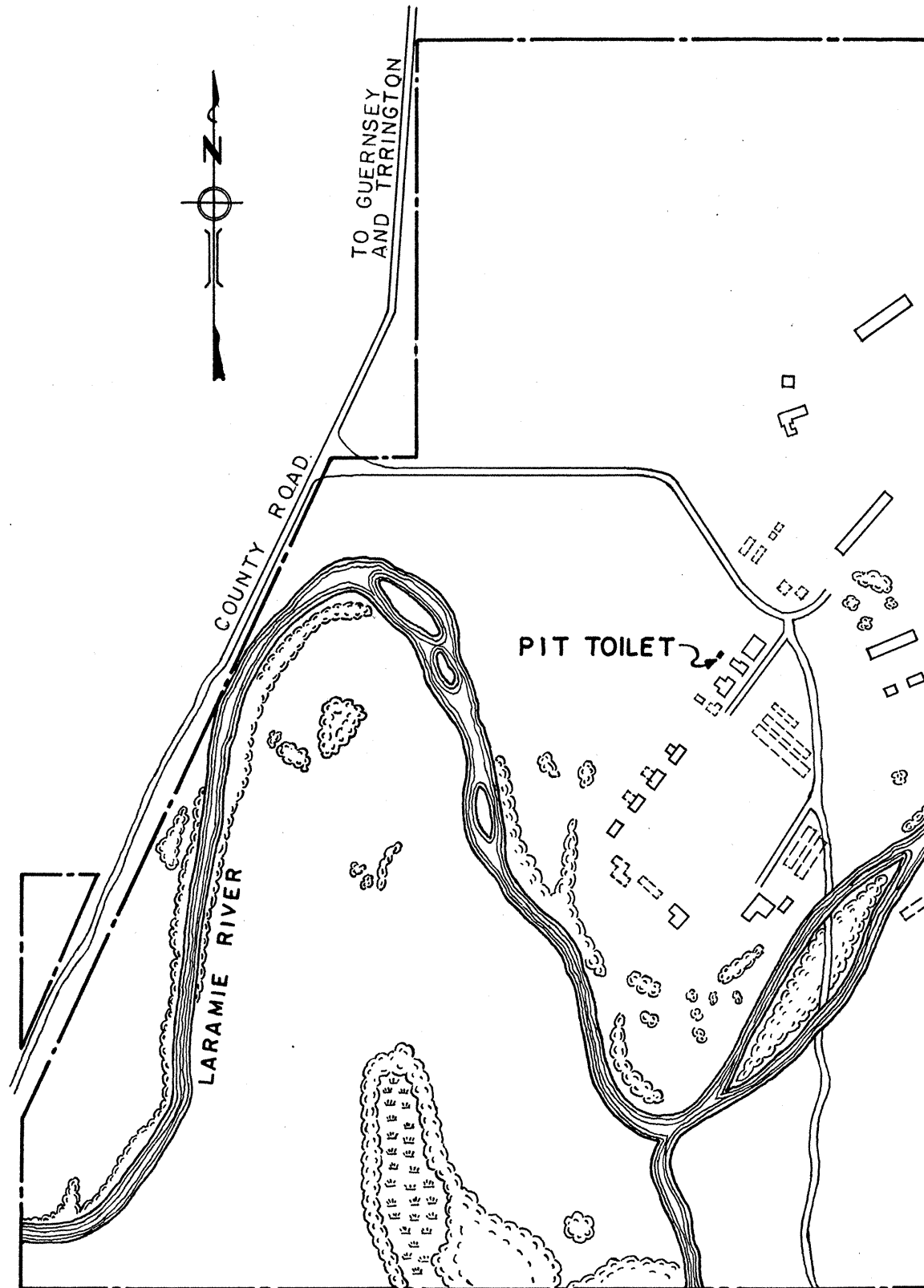


# PIT TOILET

## FORT LARAMIE NATIONAL MONUMENT WYOMING



MAP OF FORT LARAMIE NATIONAL MONUMENT  
SHOWING LOCATION

ERECTED IN 1885 BY  
U. S. ARMY ENGINEERS

HISTORIC AMERICAN BUILDINGS SURVEY  
U. S. DEPARTMENT OF THE INTERIOR  
NATIONAL PARK SERVICE  
BRANCH OF PLANS AND DESIGN

MEASURED: MARCH 1941  
DRAWN: JULY 1941  
MEASUREMENTS CHECKED:

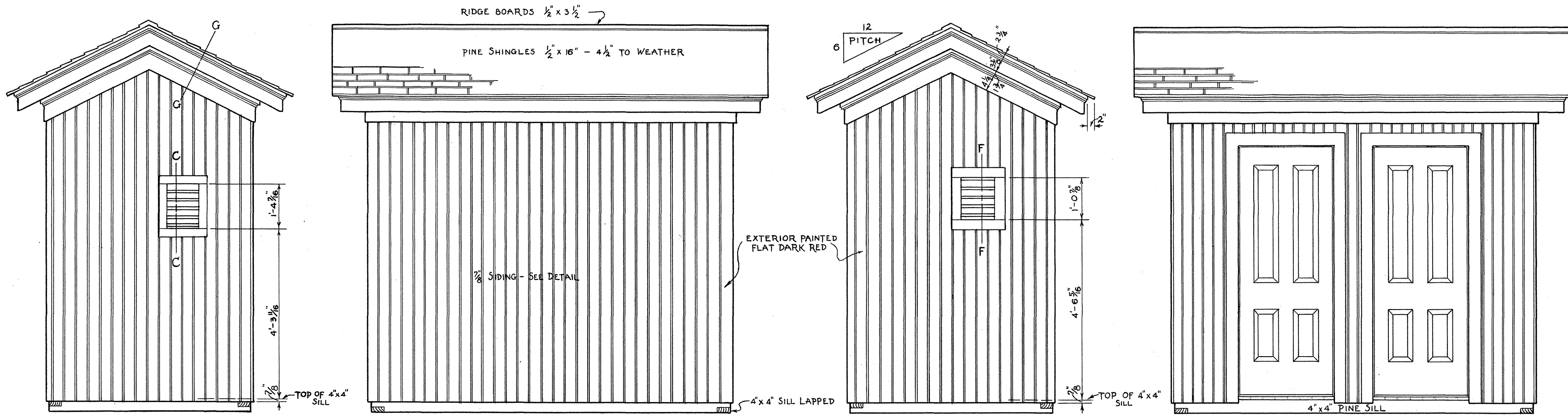
DRAWINGS APPROVED: *John G. Meem*  
DRAWINGS APPROVED: *John C. Smith*  
ACCEPTED FOR LIBRARY OF CONGRESS:

. DISTRICT OFFICER.  
. CHIEF ARCHITECT.

COLORADO DIST. - WYOMING AREA  
JOHN GAW MEEM - DIST. OFFICER  
SANTA FE, NEW MEXICO.  
FIELD PARTY  
J.W. HENDRON - RESIDENT  
ARCHAEOLOGIST.

SURVEY NO.  
WYO-3  
2-SHEETS

INDEX NO.  
WYO.  
8-  
3-

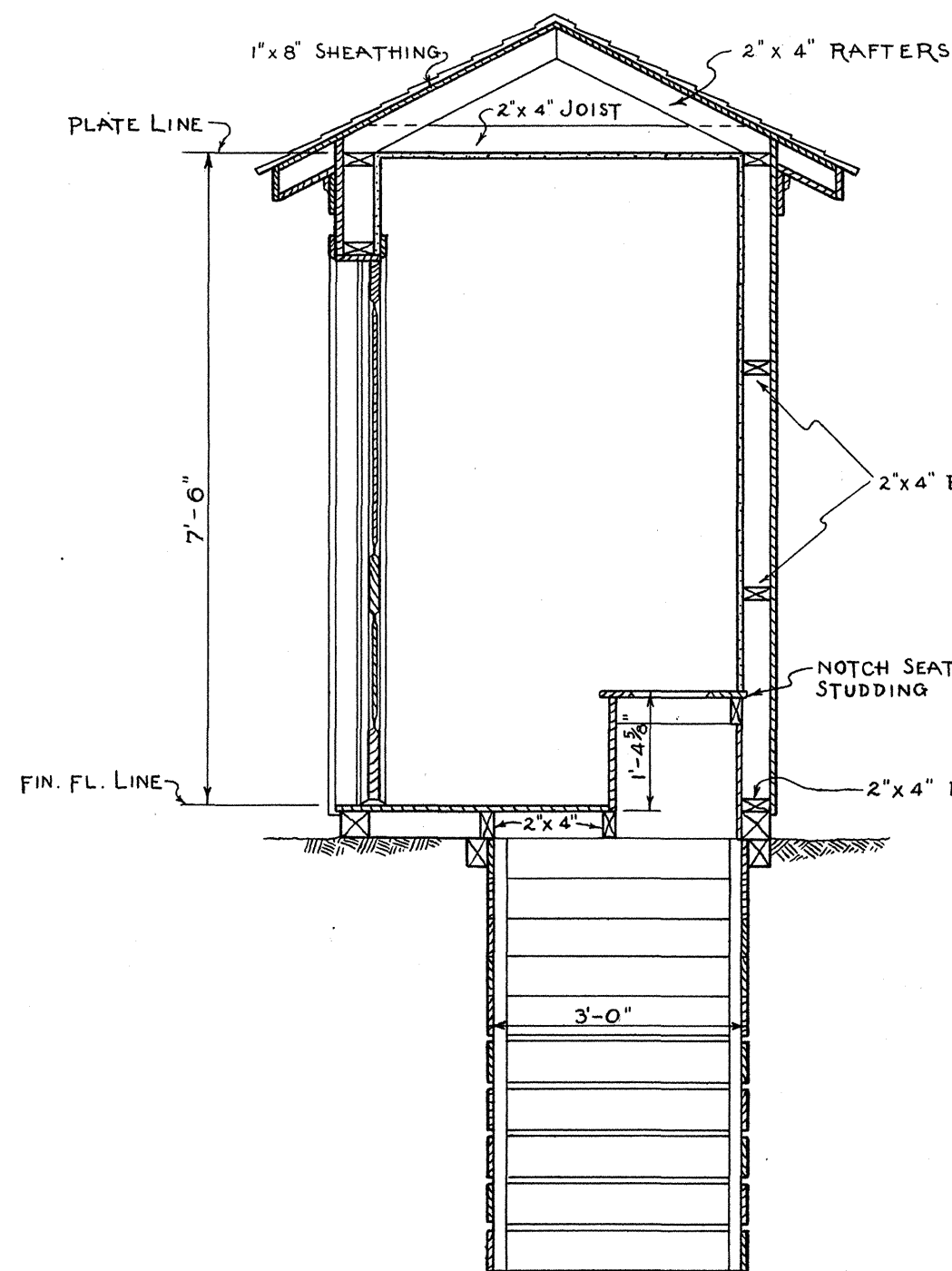


NORTHEAST ELEVATION  
SCALE 1/2" = 1'-0"

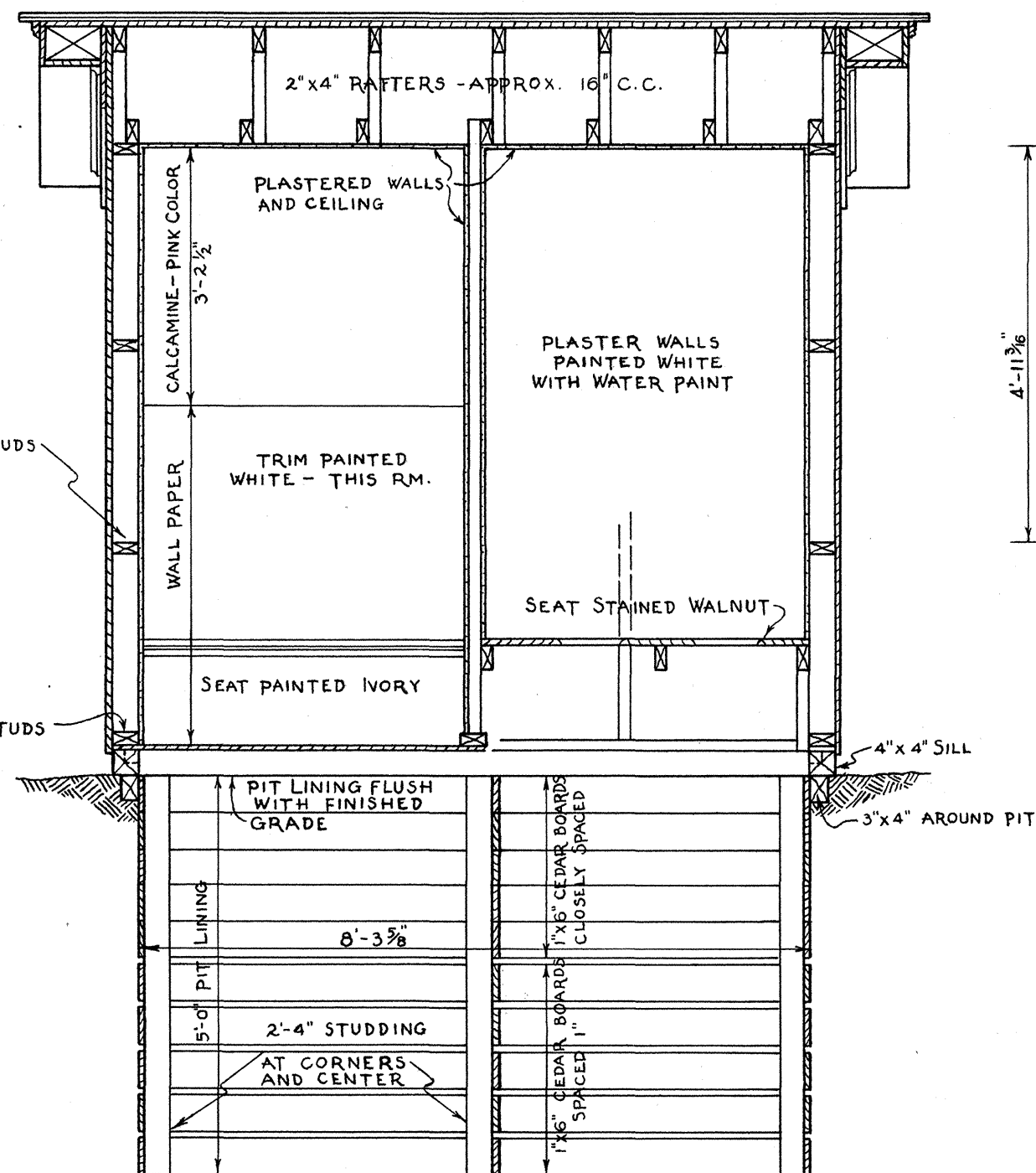
NORTHWEST ELEVATION  
SCALE 1/2" = 1'-0"

SOUTHWEST ELEVATION  
SCALE 1/2" = 1'-0"

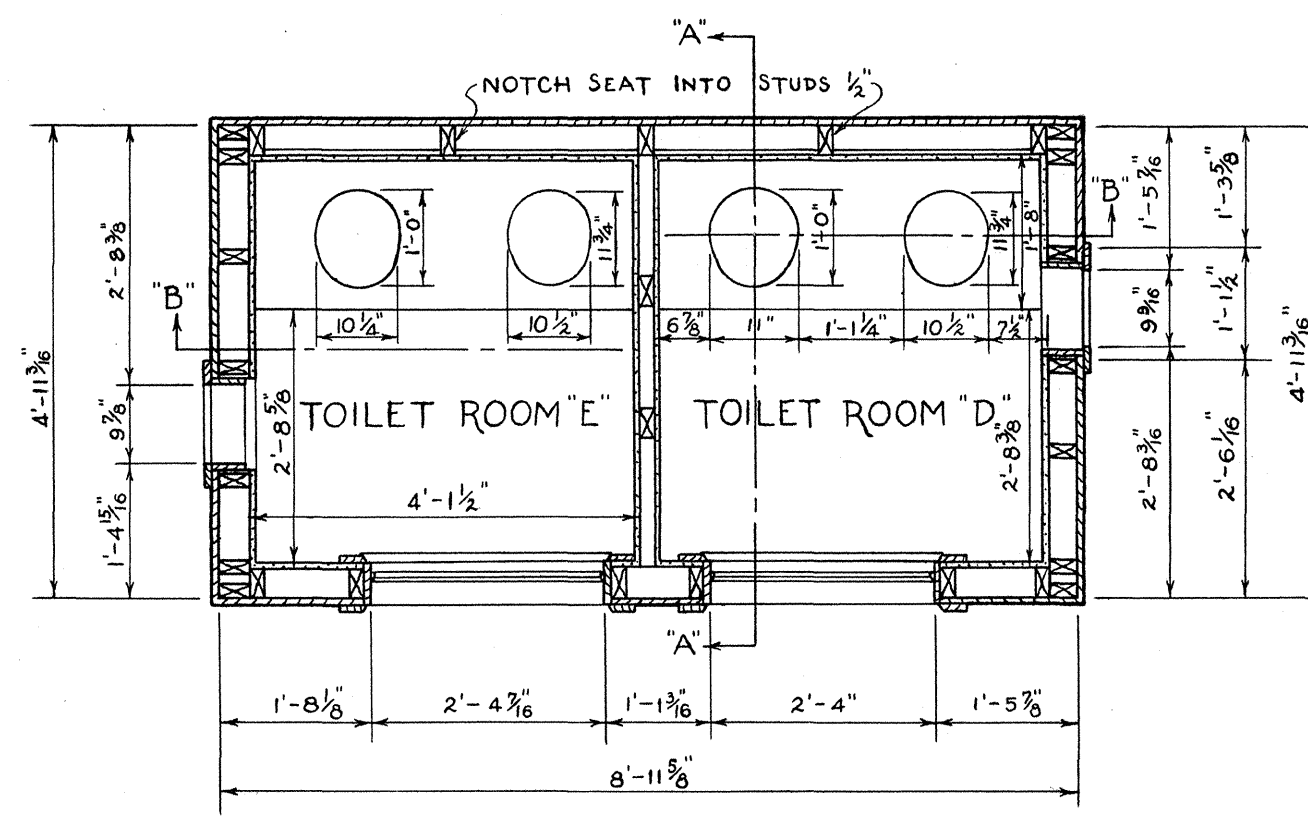
SOUTHEAST (FRONT) ELEVATION  
SCALE 1/2" = 1'-0"



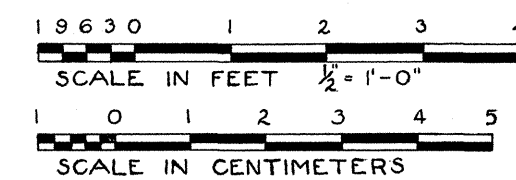
SECTION "A-A"  
SCALE 1/2" = 1'-0"



SECTION "B-B"  
SCALE 1/2" = 1'-0"



FLOOR PLAN  
SCALE 1/2" = 1'-0"



BOB SPELLMAN ~ LESLIE E. WILKIE DEL.

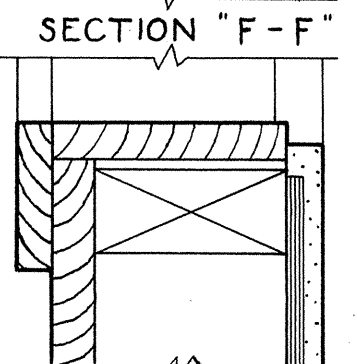
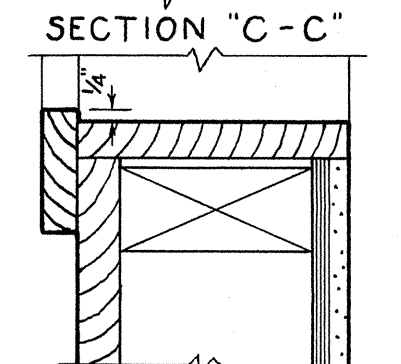
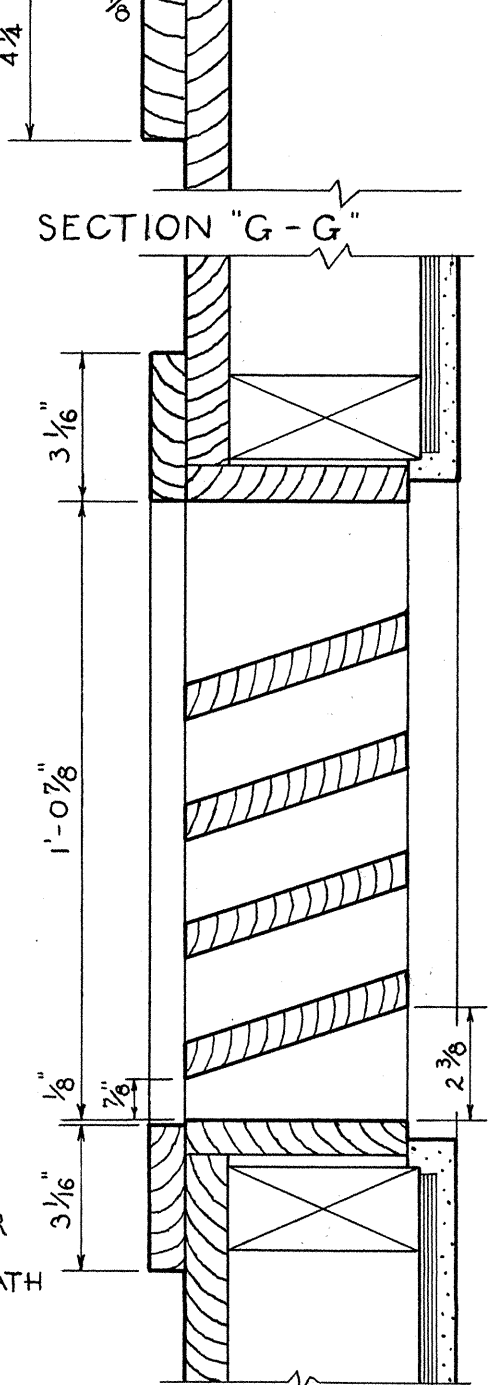
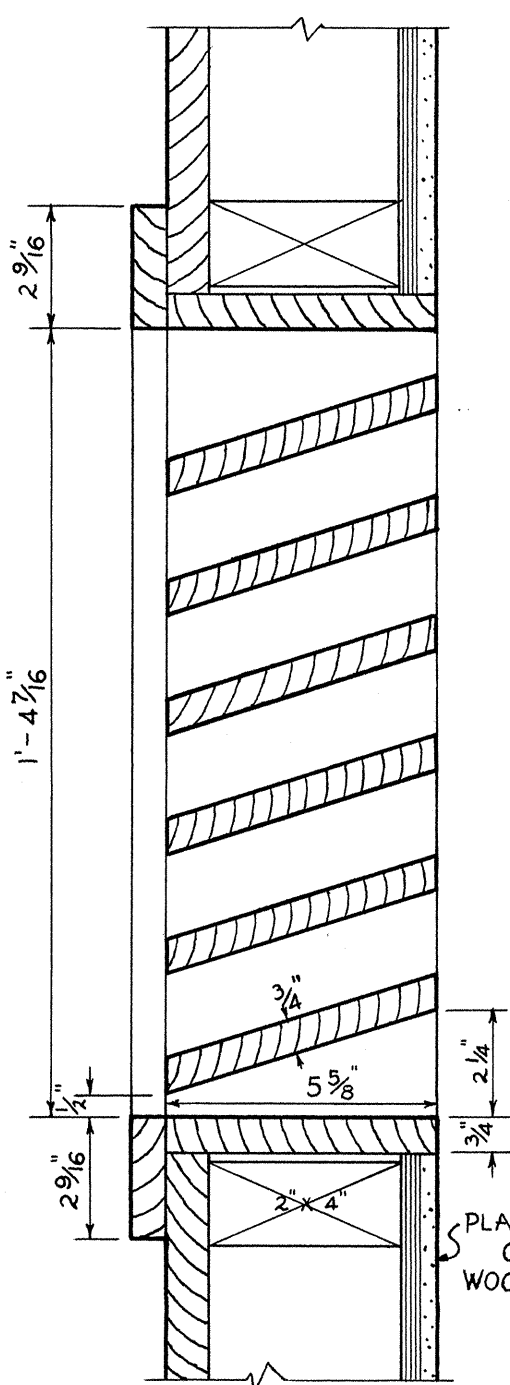
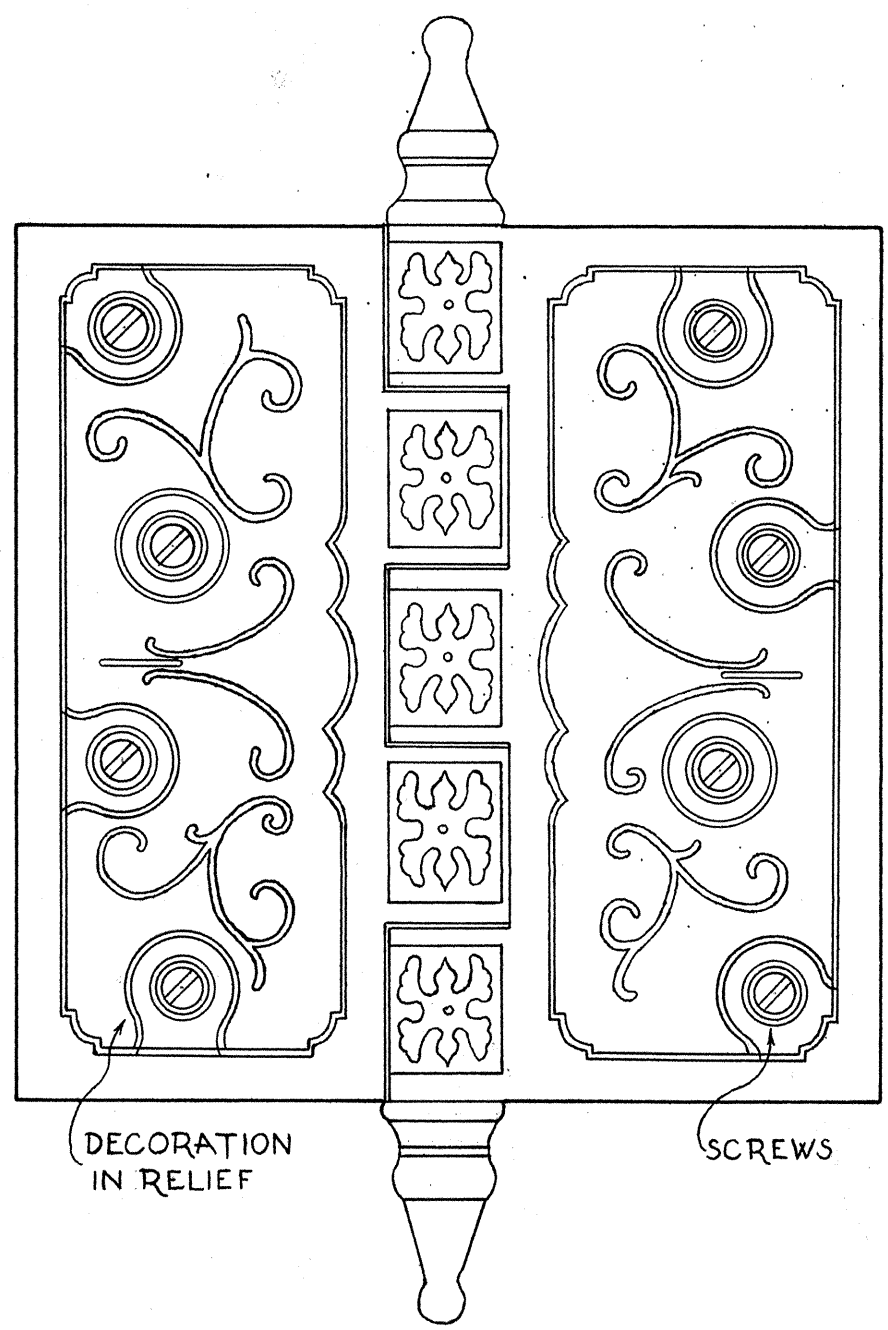
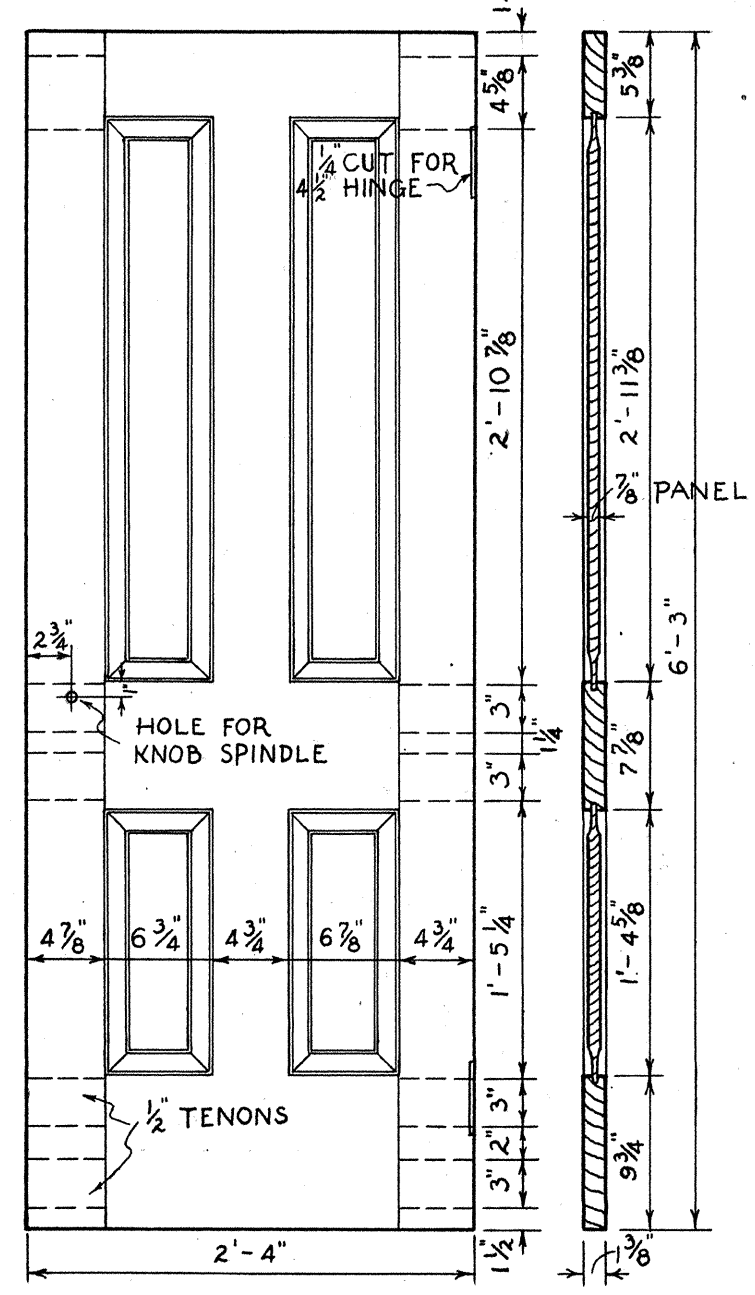
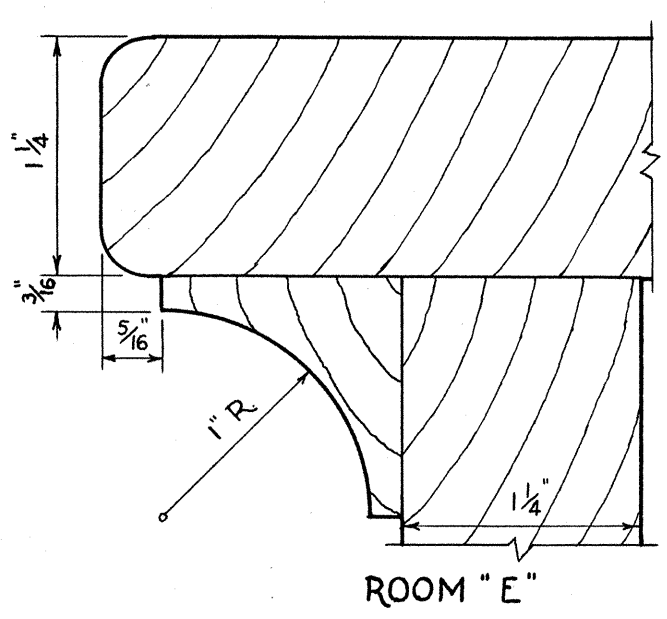
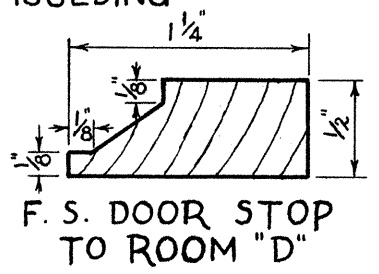
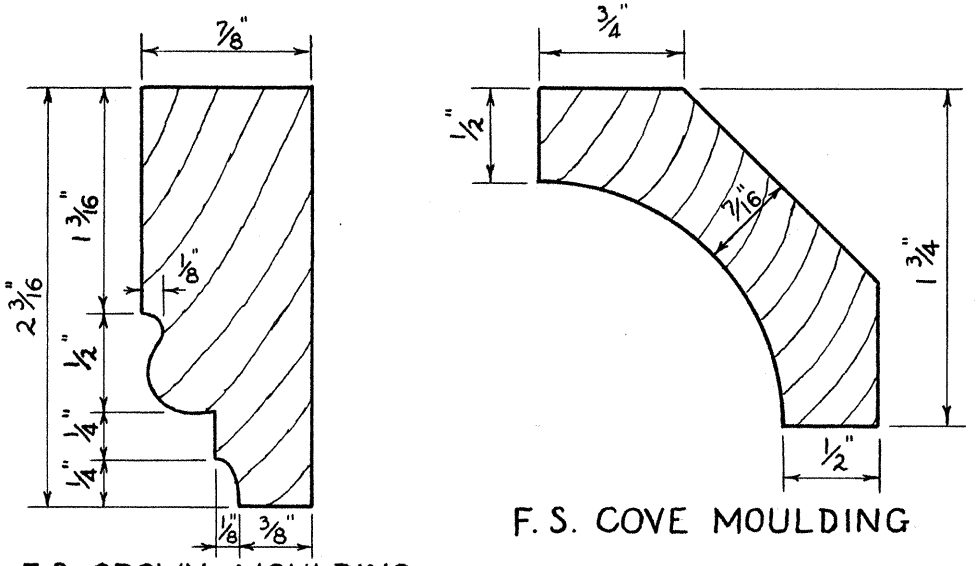
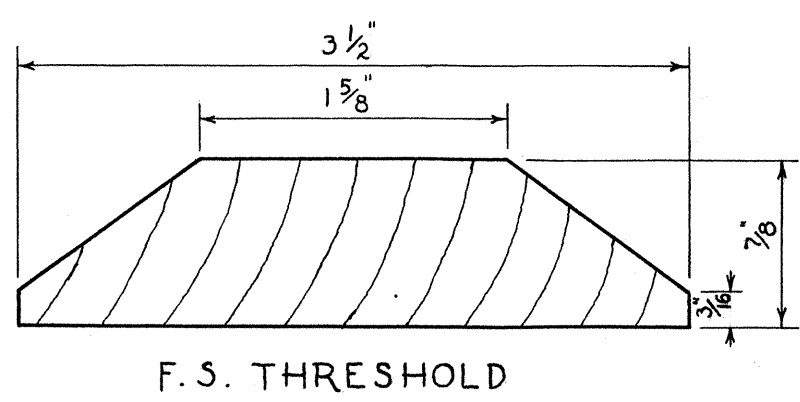
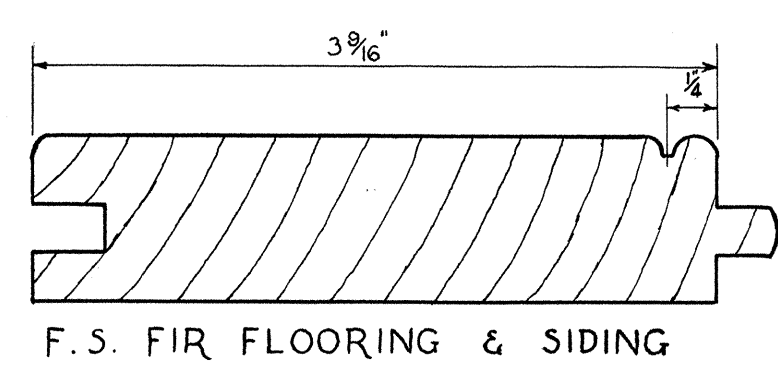
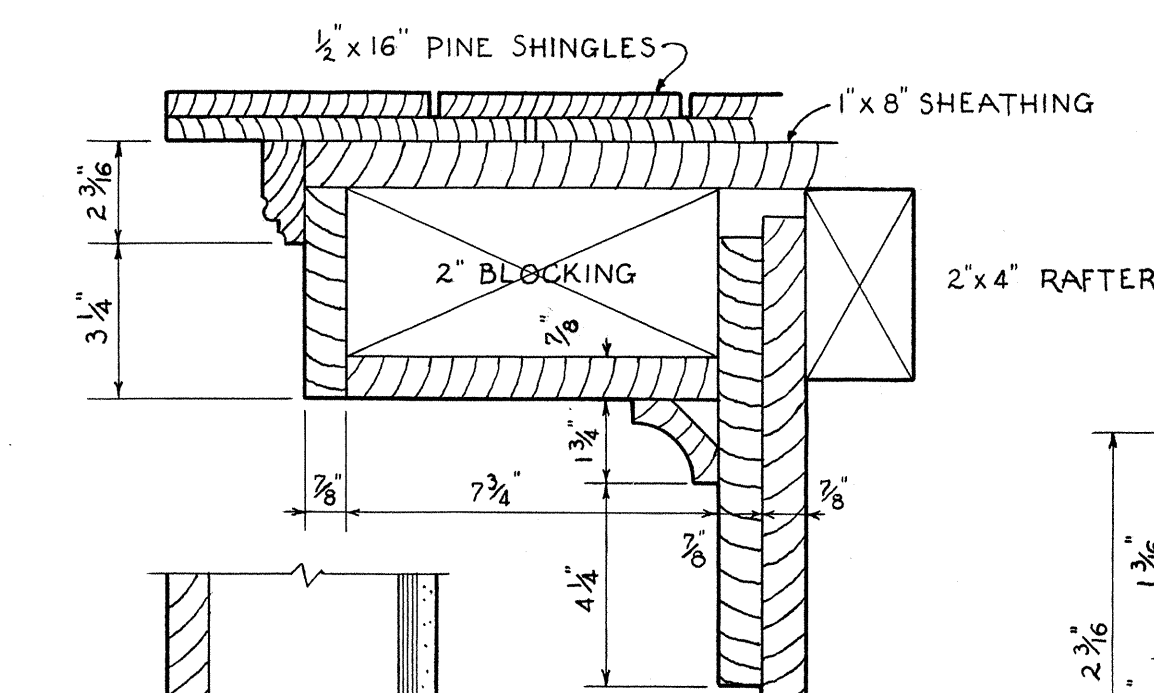
UNDER DIRECTION OF UNITED STATES DEPARTMENT OF THE INTERIOR  
NATIONAL PARK SERVICE, BRANCH OF PLANS AND DESIGN

NAME OF STRUCTURE  
**PIT TOILET**  
FORT LARAMIE NATIONAL MONUMENT

SURVEY NO.  
**WYO-3**  
2 - SHEETS

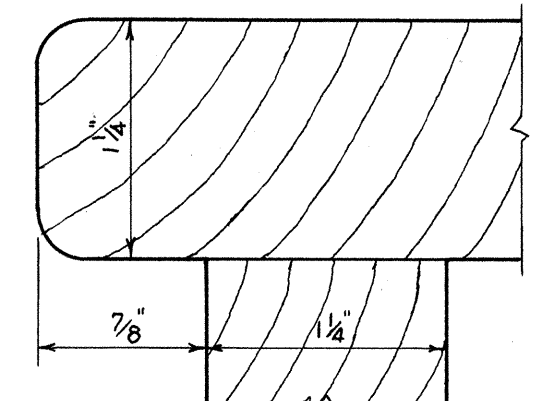
HISTORIC AMERICAN  
BUILDINGS SURVEY  
SHEET 1 OF 2 SHEETS

LIBRARY OF CONGRESS  
INDEX NUMBER

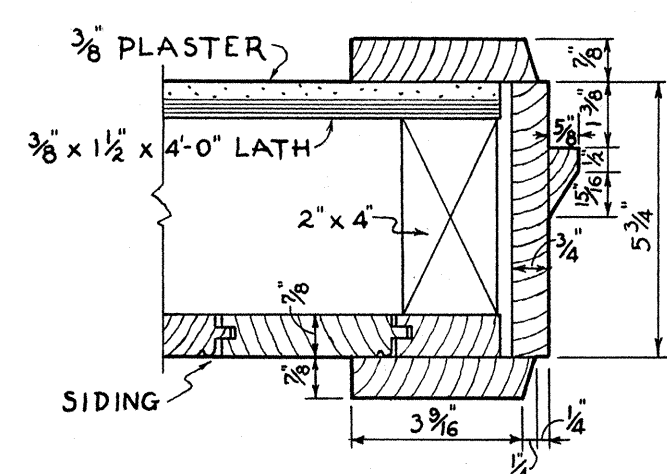


JAMB  
DETAIL OF LOUVER  
NORTHEAST ELEVATION  
SCALE 3"=1'-0"

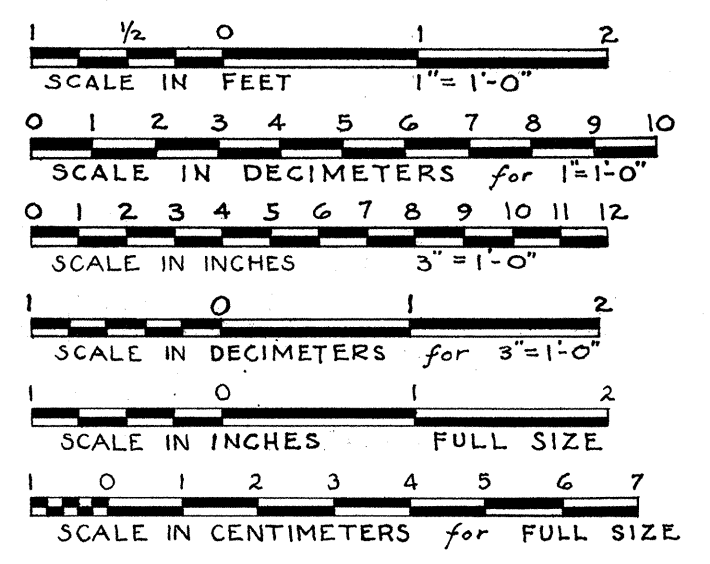
JAMB  
DETAIL OF LOUVER  
SOUTHWEST ELEVATION  
SCALE 3"=1'-0"



ROOM "D"  
F.S. SEAT NOSINGS



DOOR JAMB  
HEAD SIMILAR  
SCALE 3"=1'-0"



BOB SPELLMAN ~ LESLIE E. WILKIE DEL.

UNDER DIRECTION OF UNITED STATES DEPARTMENT OF THE INTERIOR  
NATIONAL PARK SERVICE, BRANCH OF PLANS AND DESIGN

NAME OF STRUCTURE  
**PIT TOILET**  
FORT LARAMIE NATIONAL MONUMENT

SURVEY NO.  
**WYO-3**  
2-SHEETS

HISTORIC AMERICAN  
BUILDINGS SURVEY  
SHEET 2 OF 2 SHEETS

LIBRARY OF CONGRESS  
INDEX NUMBER



