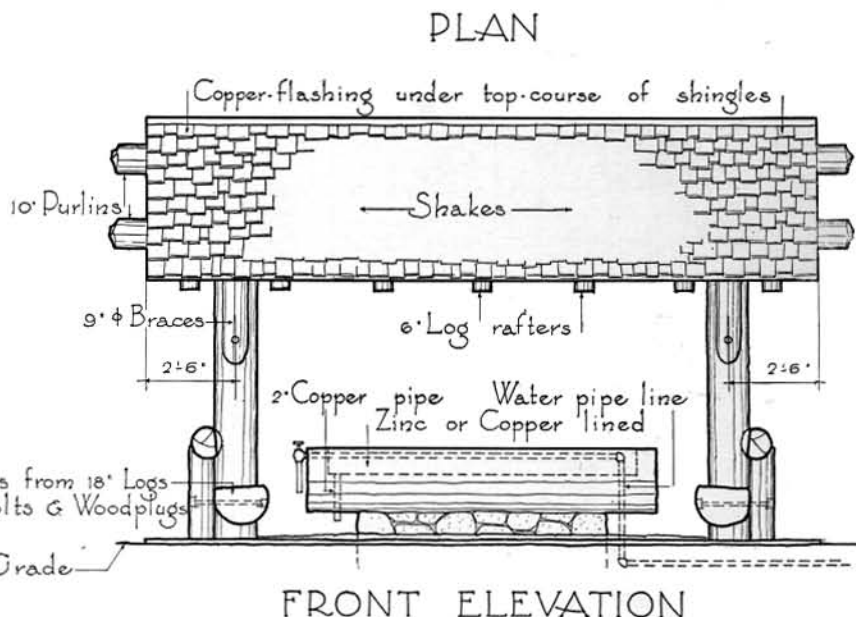
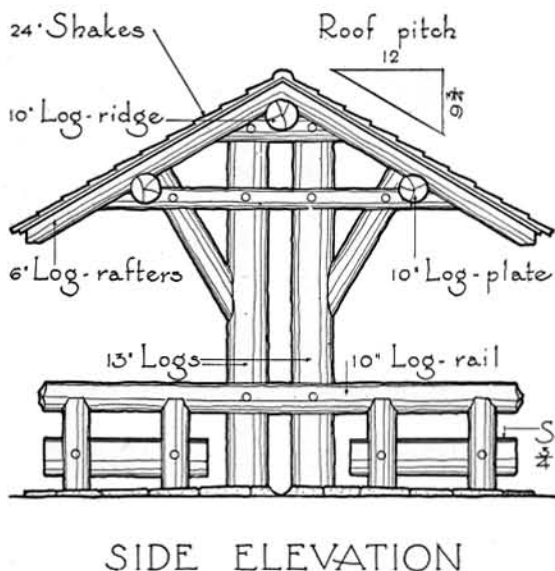
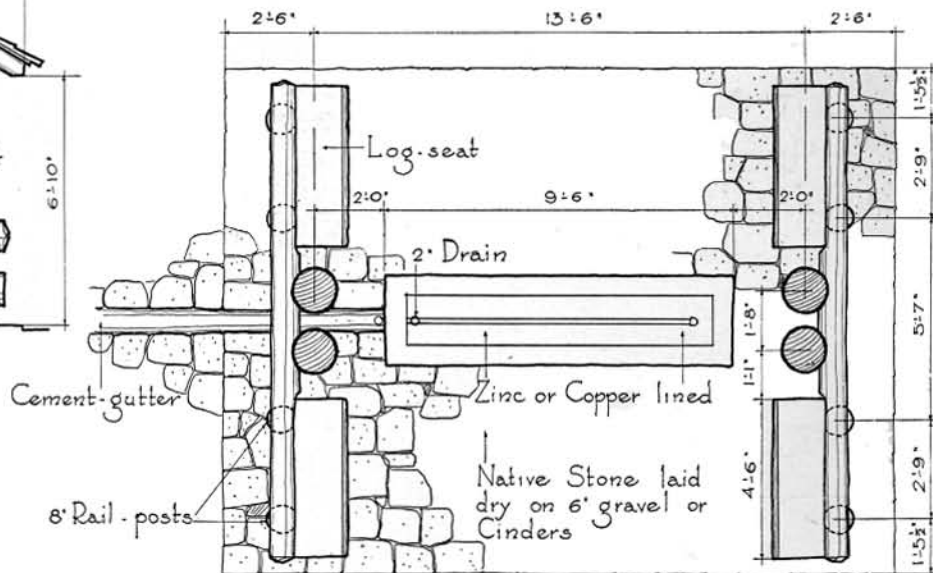
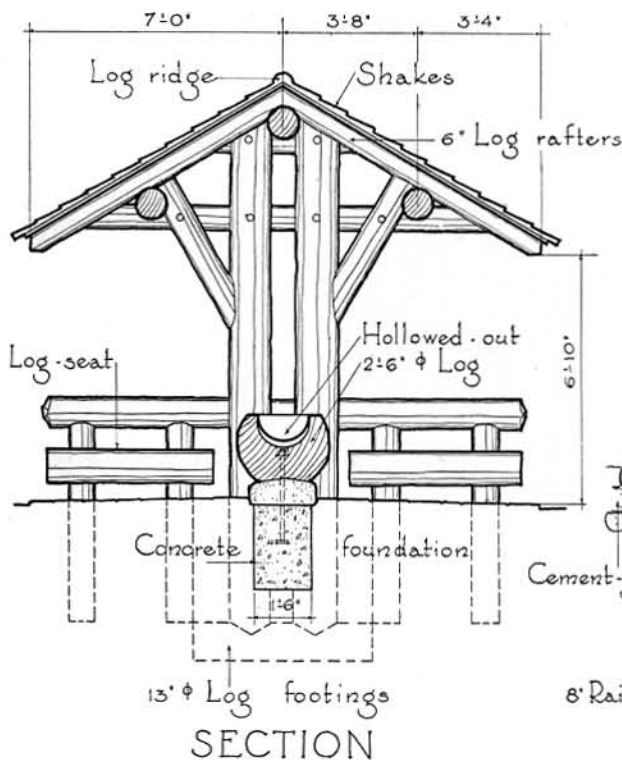


Well Shelter - Itasca State Park - Minnesota

Certainly exempt from any accusation of 'twiginess' this little structure perhaps exemplifies ideal proportions for a truly rustic construction. The idea of hollowed-out log as a receptacle for the piped spring water is novel. The ragged shake roof is particularly well-done. There is neither economy of materials nor of originality to detract from this example.



Scale 1/8" = 1'-0"