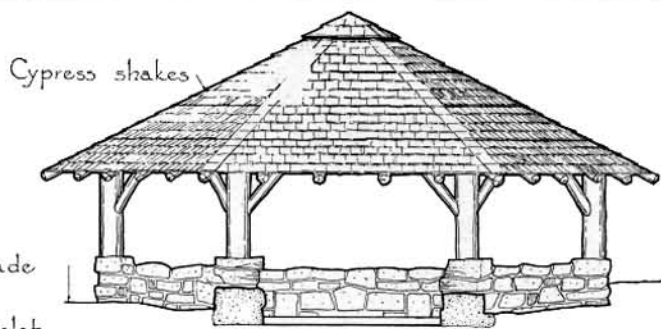
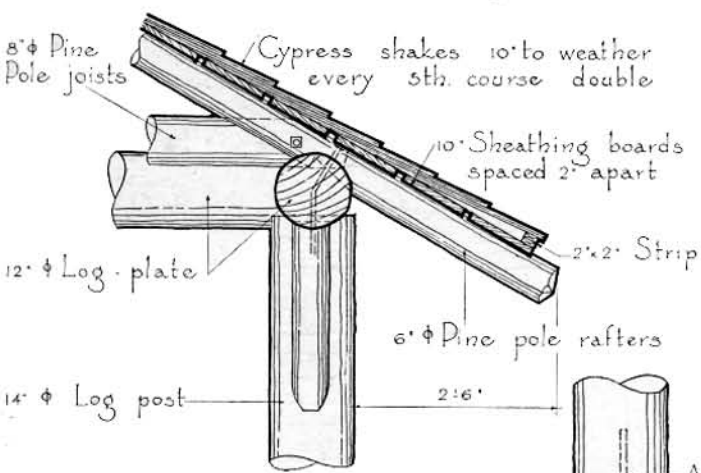


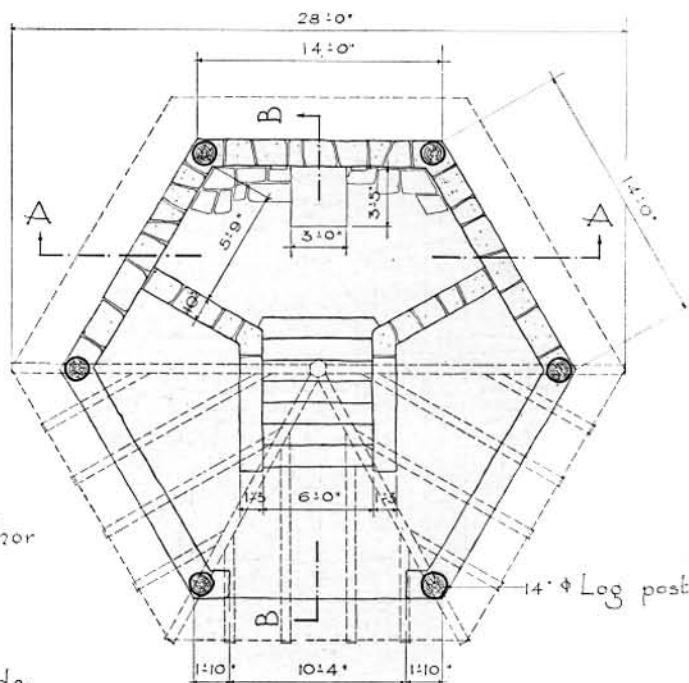
SECTION 'B-B'



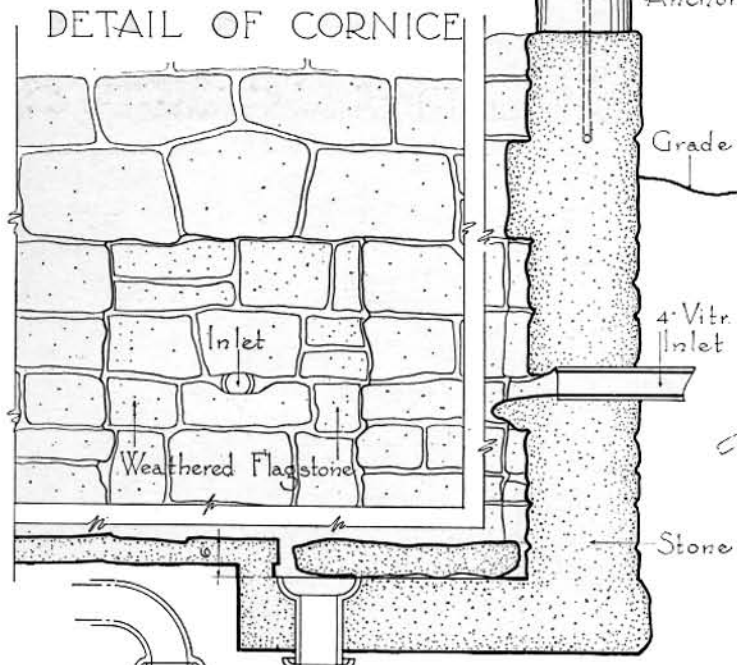
FRONT ELEVATION



DETAIL OF CORNICE

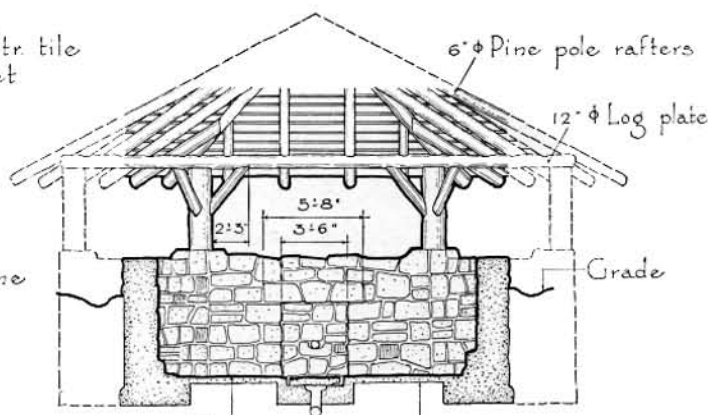


HALF ROOF & FLOOR PLAN



WALL FOUNTAIN DETAIL

Scale  $\frac{3}{8}$ " = 1'-0"



SECTION 'A-A'

Scale  $\frac{3}{8}$ " = 1'-0"