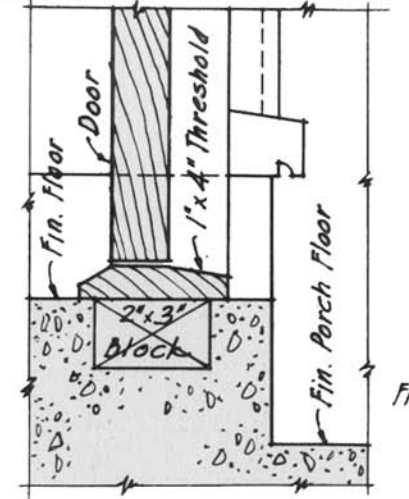
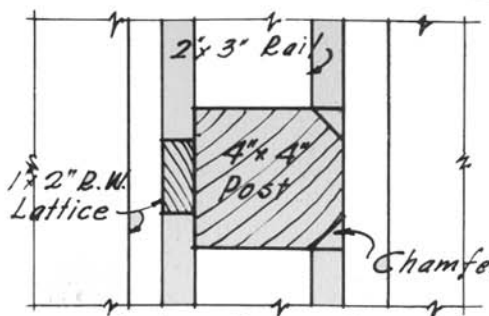


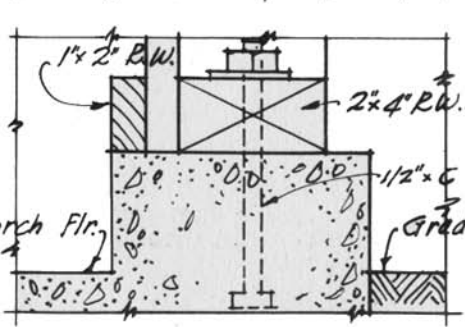
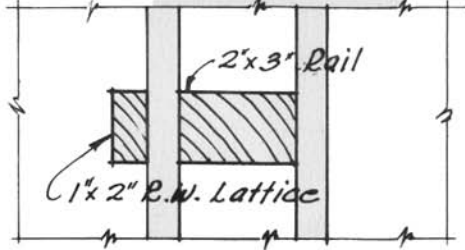
PLAN THRU DOOR JAMB



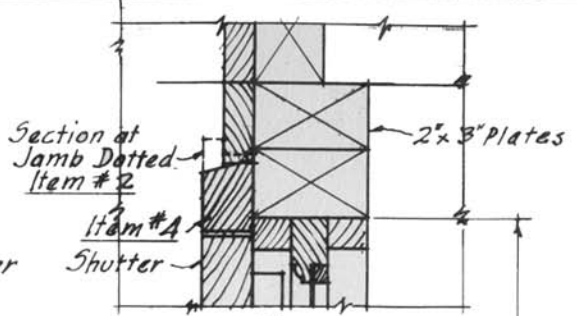
SECTION THRU DOOR SILL



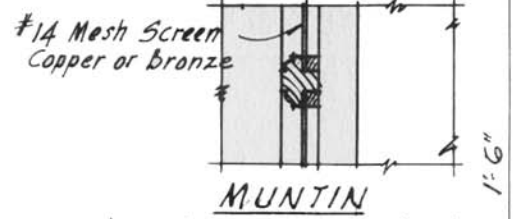
PLAN THRU POST



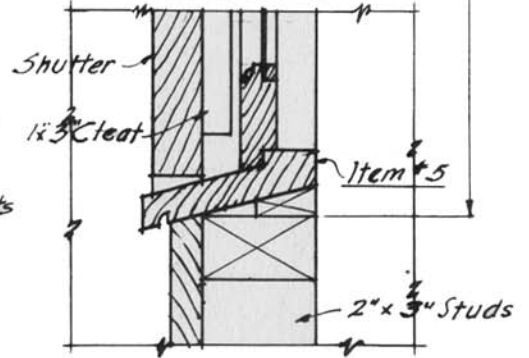
SECTION AT BASE OF POST



HEAD



MUNTIN



DETAIL OF SCREEN & SHUTTER

CHEMICAL & FLUSH TOILETS

SCALE 3" = 1'-0"