

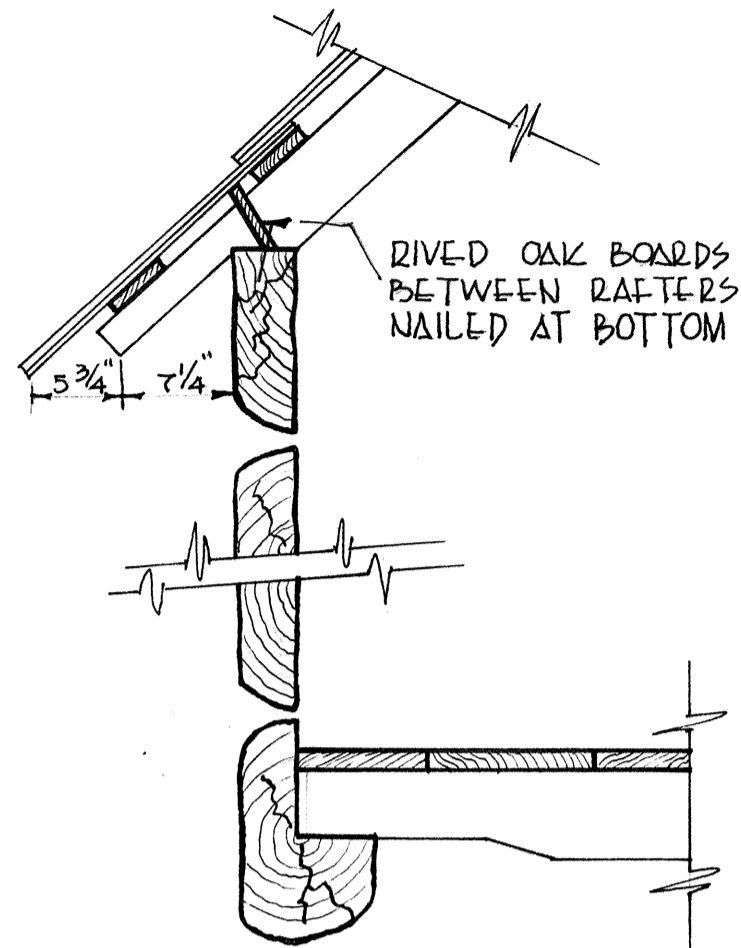
Pioneer Farmstead Corn Crib (Joe Queen Place, Corn Crib)
U.S. 441
Newfound Gap Vicinity
Swain County
North Carolina

HABS No. NC-302

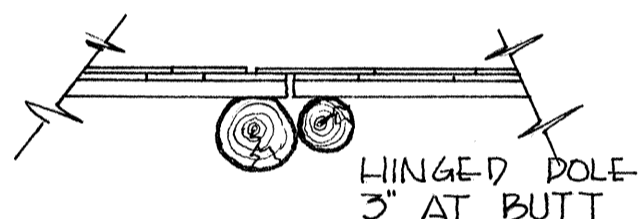
HABS
NC,
87-NEWGAV
1B-

REDUCED COPIES OF MEASURED DRAWINGS

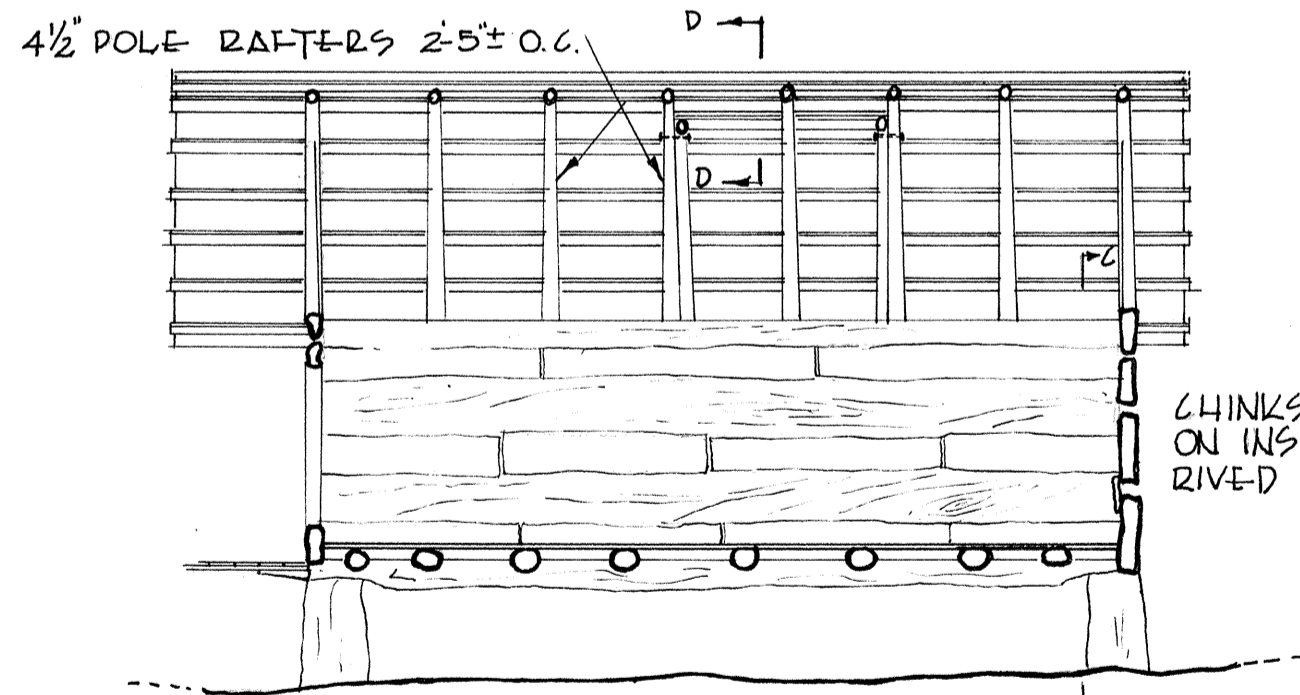
Historic American Buildings Survey
National Park Service
Department of the Interior
Washington, D.C. 20240



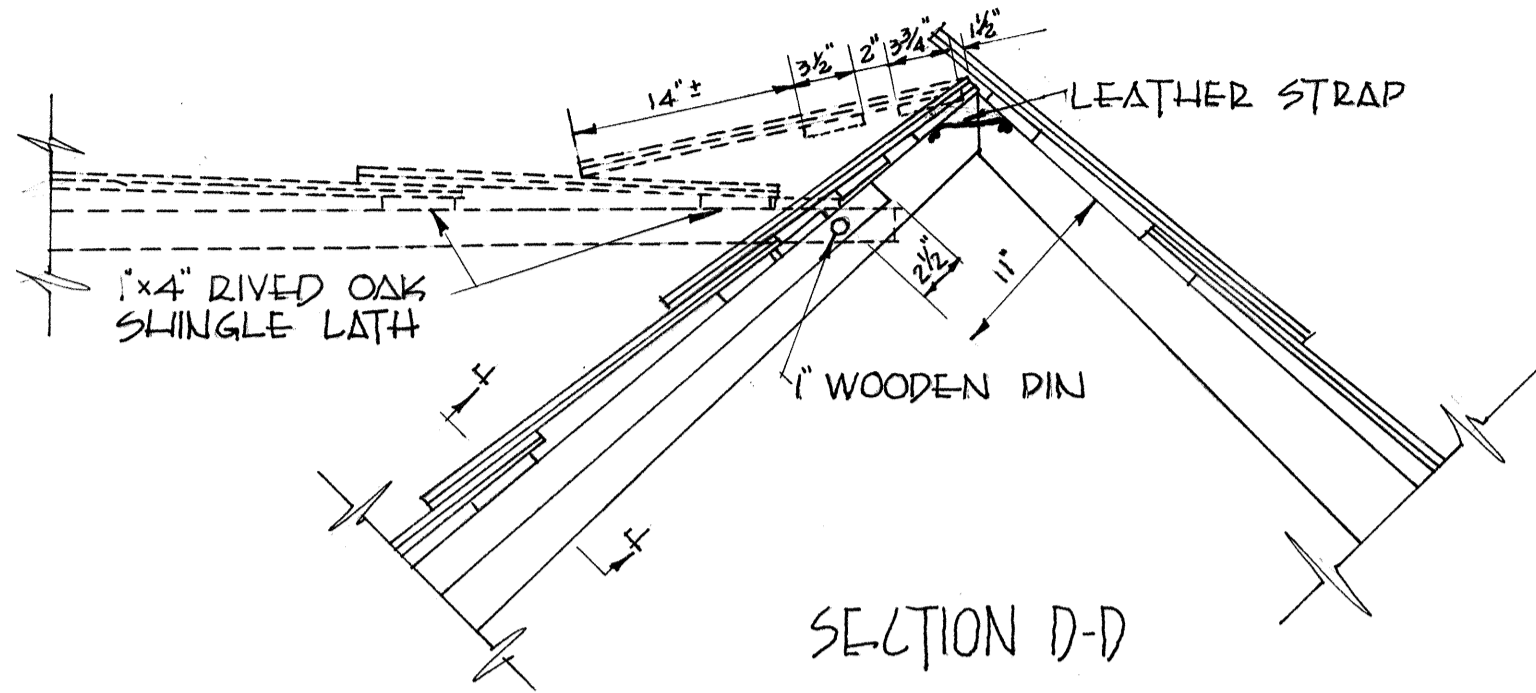
SECTION C-C



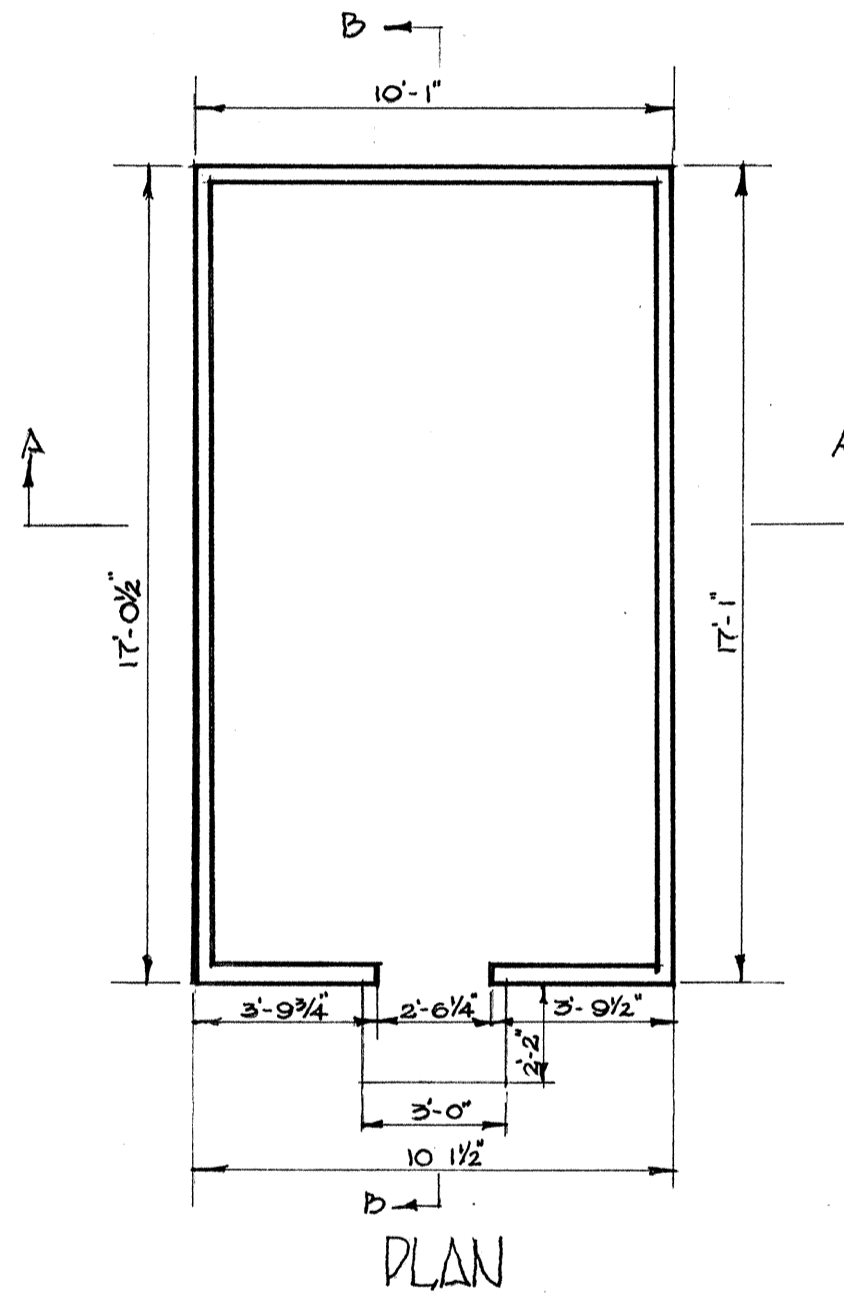
SECTION I-I



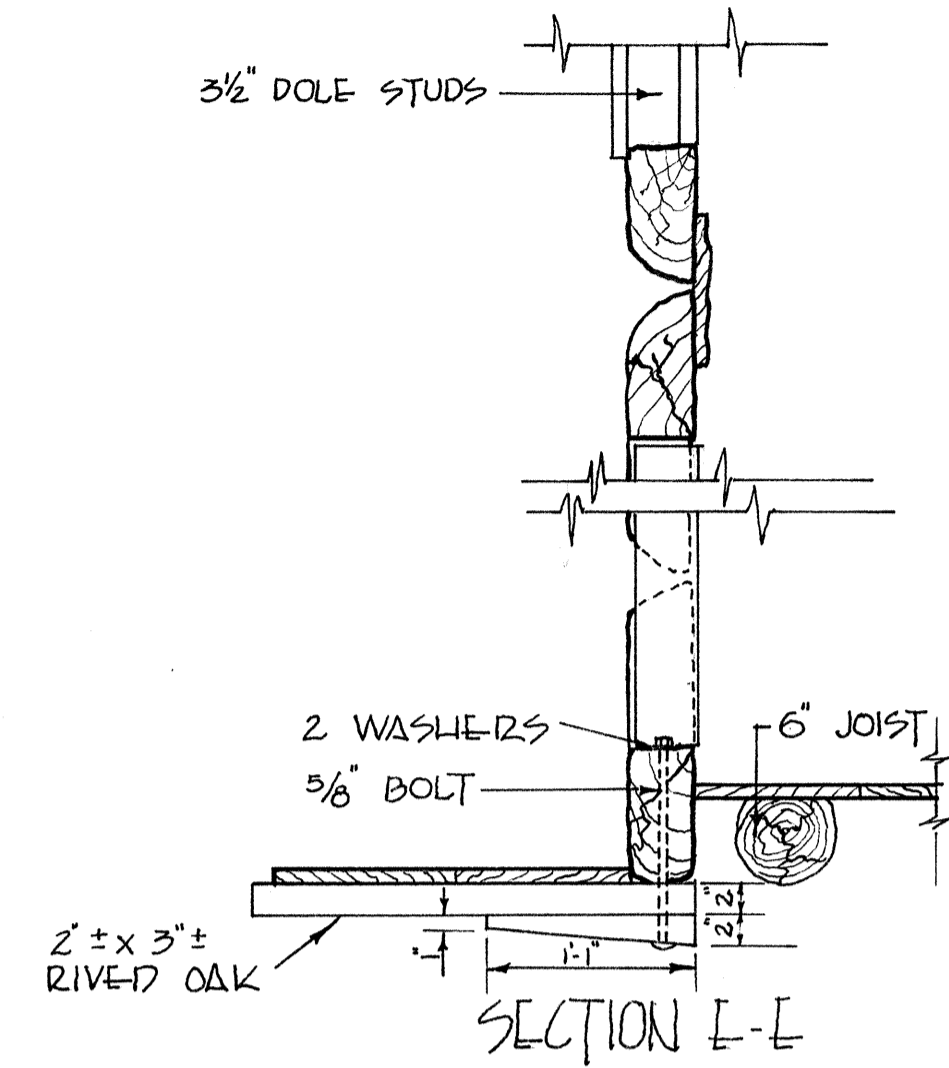
SECTION B-B



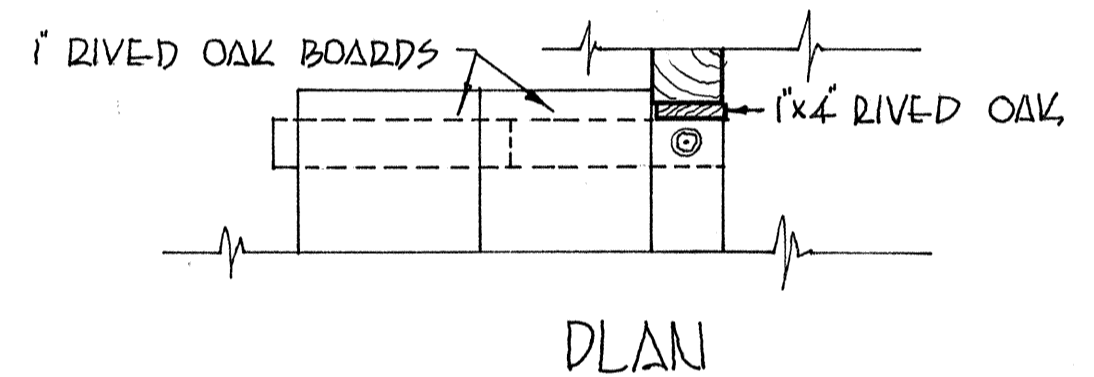
SECTION D-D



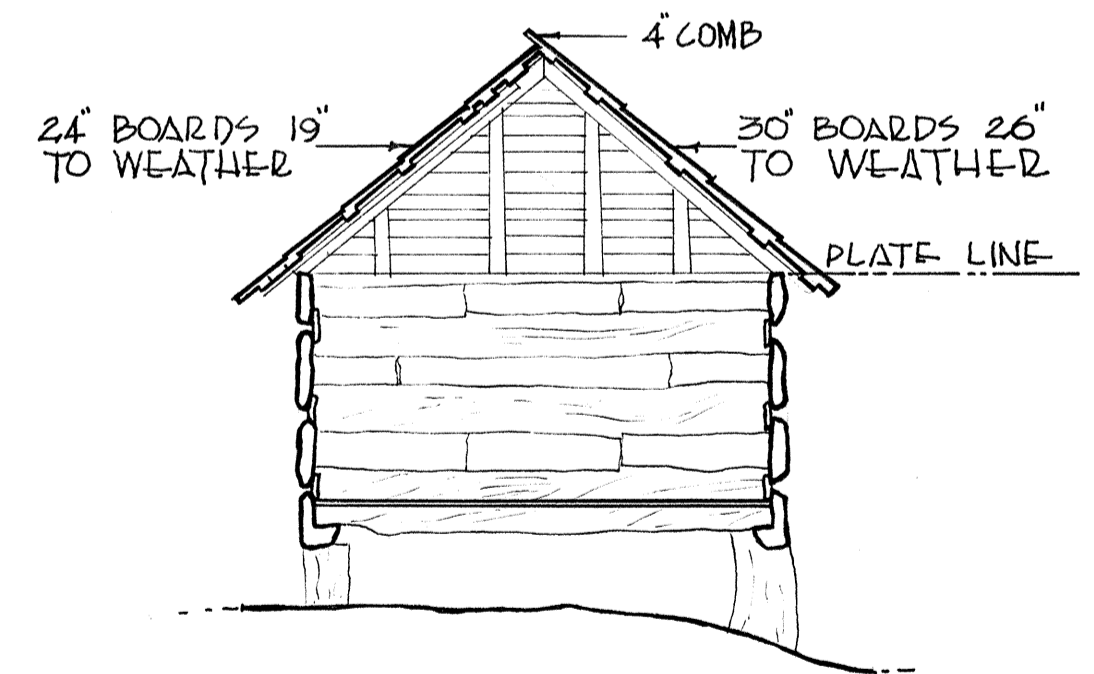
PLAN



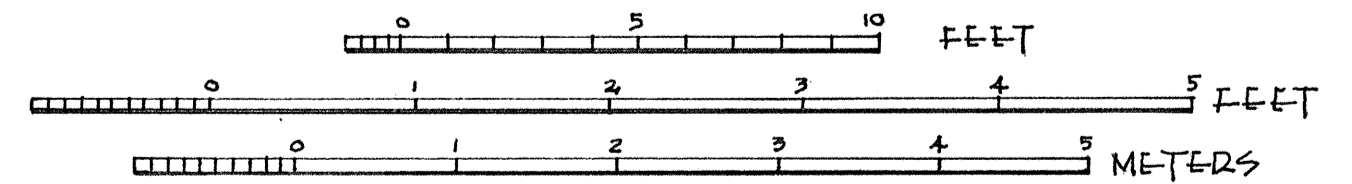
SECTION E-E



PLAN



SECTION A-A



DUE TO INSUFFICIENT INFORMATION AT THE TIME OF EDITING, THIS DRAWING MAY NOT CONFORM TO HABS OR HAER STANDARDS.

CHARLES S. GROSSMAN DEL.

U.S. DEPARTMENT OF THE INTERIOR
OFFICE OF NATIONAL PARKS, BUILDINGS, AND RESERVATIONS
BRANCH OF PLANS AND DESIGN

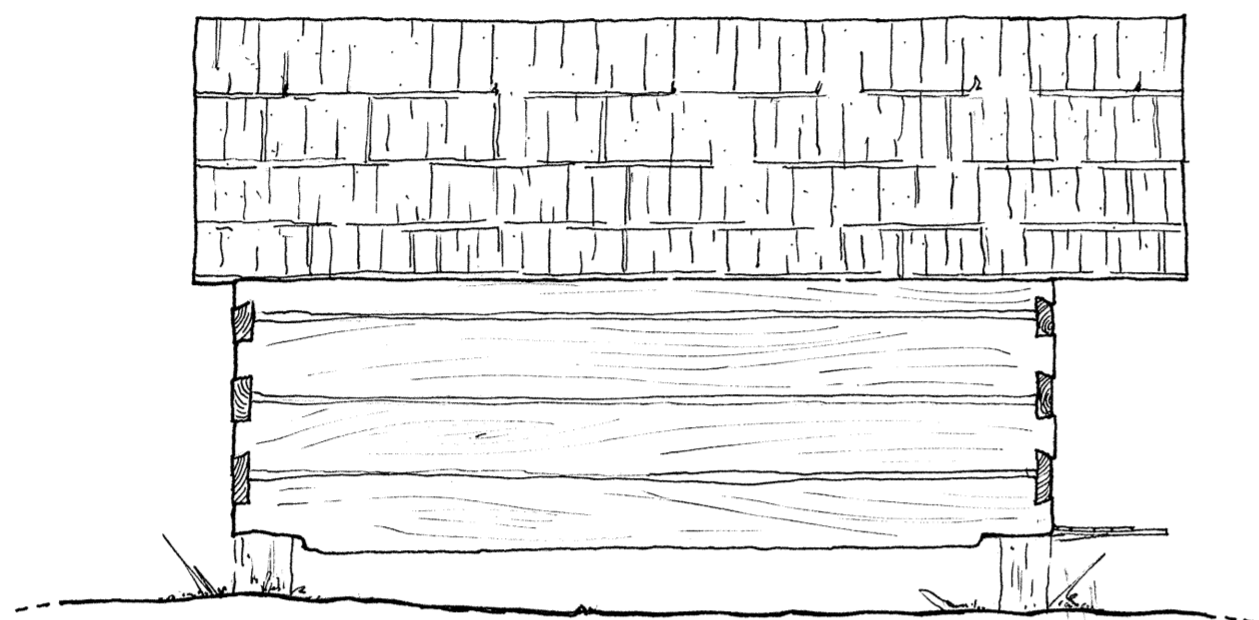
NAME OF STRUCTURE
CORN CRIB AT THE JOE QUEEN PLACE
TOP OF THOMAS DIVIDE GREAT SMOKY MTS. NAT. PARKS N.C.

(PIONEER FARMSTEAD
CORN CRIB)
SWAIN COUNTY

SURVEY NO.
NC-
302

HISTORIC AMERICAN
BUILDINGS SURVEY
SHEET 1 OF 2 SHEETS

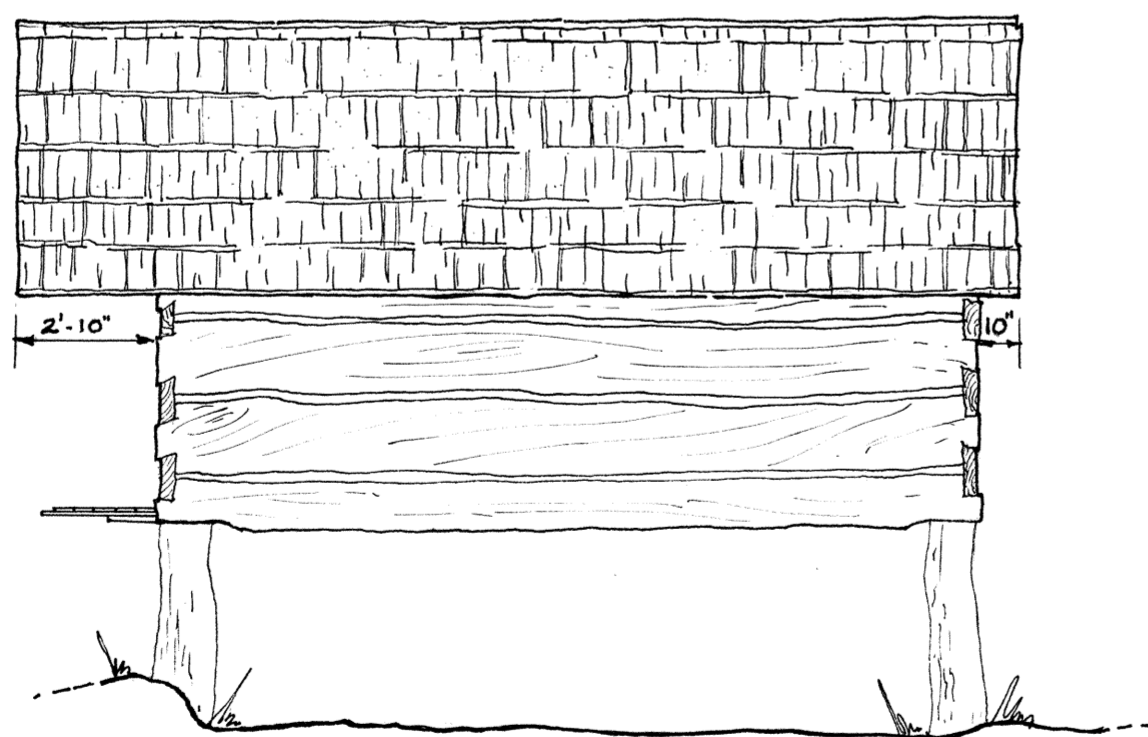
INDEX NO.



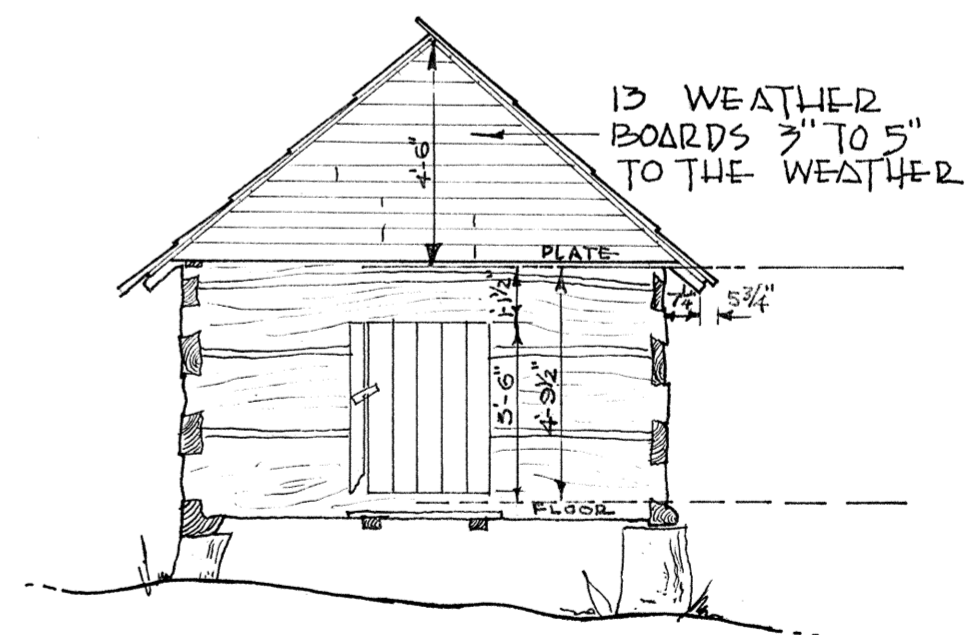
EAST ELEVATION



SOUTH ELEVATION



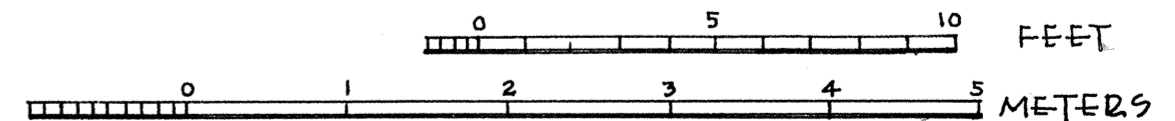
WEST ELEVATION



NORTH ELEVATION

DUE TO INSUFFICIENT INFORMATION AT THE TIME OF EDITING, THIS MATERIAL MAY NOT CONFORM TO HABS OR HAER STANDARDS.

CHARLES S. GROSSMAN DEL.



U.S. DEPARTMENT OF THE INTERIOR
OFFICE OF NATIONAL PARKS, BUILDINGS, AND RESERVATIONS
BRANCH OF PLANS AND DESIGN

NAME OF STRUCTURE
CORN CRIB AT THE JOE QUEEN PLACE
(PIONEER FARMSTEAD
CORN CRIB)
TOP OF THOMAS DIVIDE - GREAT SMOKY MTS. NAT. PARK N.C. SWAIN COUNTY

SURVEY NO.
NC-
302

HISTORIC AMERICAN
BUILDINGS SURVEY
SHEET 2 OF 2 SHEETS

INDEX NO.