

Alfred Raegan House  
Roaring Fork Trail  
Great Smoky Mountains National Park  
Gatlinburg Vicinity  
Sevier County  
Tennessee

HABS No. TN-164

HABS  
TENN  
78-GAT.V,  
3-

REDUCED COPIES OF MEASURED DRAWINGS

Addendum to:  
Alfred Raegan House  
Roaring Fork Trail  
Great Smoky Mountains National Park  
Gatlinburg vicinity  
Sevier County  
Tennessee

HABS No. TN-164

HABS  
TENN,  
78-GAT.V,  
3-

WRITTEN HISTORICAL AND DESCRIPTIVE DATA

Historic American Buildings Survey  
National Park Service  
Department of the Interior  
Post Office Box 37127  
Washington, D.C. 20013-7127

HABS  
TENN  
78-GAT.V  
3-

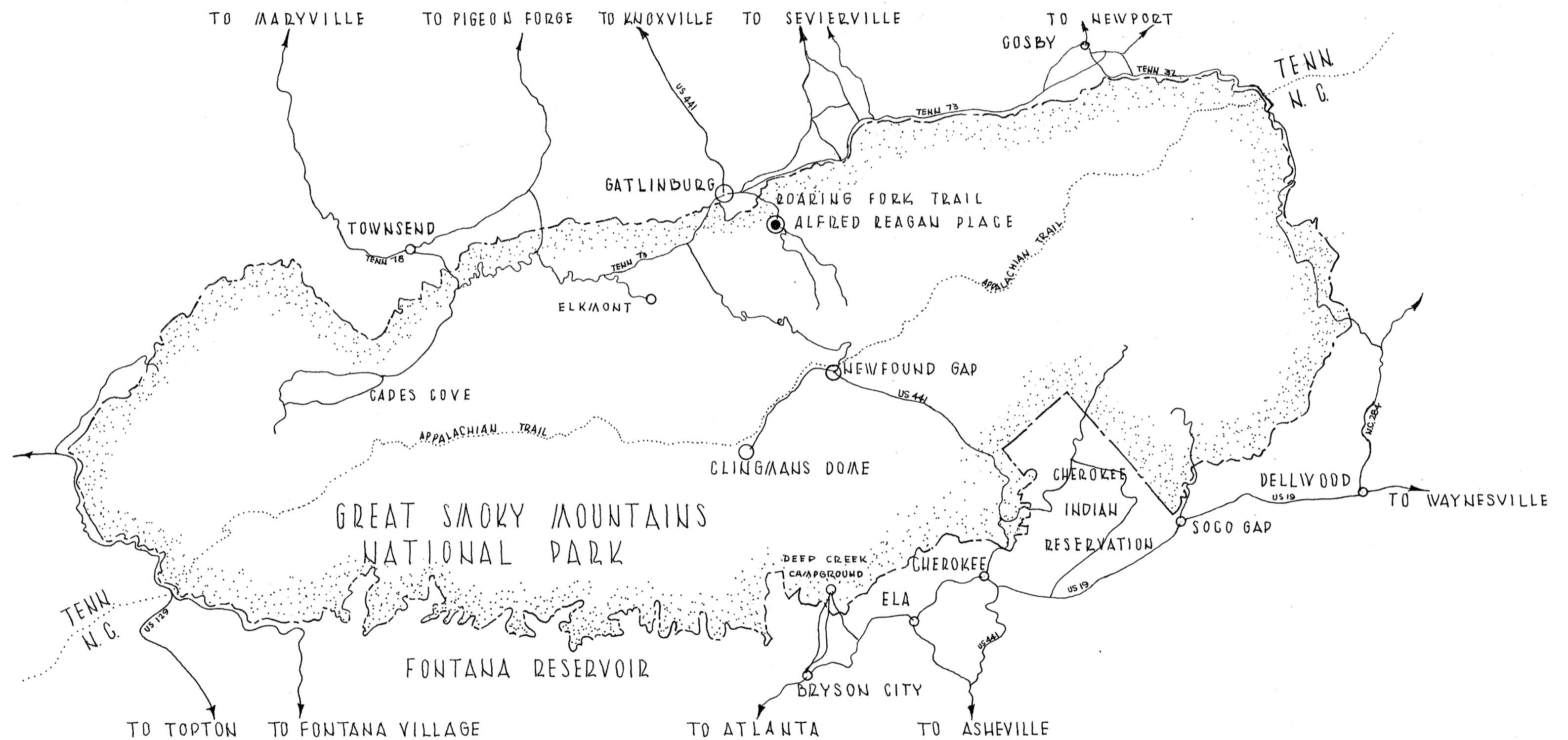
ARCHITECTURAL DATA FORM

STATE TENNESSEE	COUNTY SEVIER	TOWN OR VICINITY GATLINBURG vicinity
HISTORIC NAME OF STRUCTURE (INCLUDE SOURCE FOR NAME) ALFRED REAGAN HOUSE		HABS NO. TN-164
SECONDARY OR COMMON NAMES OF STRUCTURE		
COMPLETE ADDRESS (DESCRIBE LOCATION FOR RURAL SITES) Roaring Fork Trail, Great Smoky Mountains National Park, Tennessee 37738		
DATE OF CONSTRUCTION (INCLUDE SOURCE) c. 1864	ARCHITECT(S) (INCLUDE SOURCE)	
SIGNIFICANCE (ARCHITECTURAL AND HISTORICAL, INCLUDE ORIGINAL USE OF STRUCTURE)  The Alfred Raegan house is a "saddle-back" house. The term refers to the location of the central chimney between two separate rooms, each of which is heated by a fireplace. The boxed kitchen, exterior board-and-batten walls, and the interior hand-dressed Poplar boards of the walls and ceilings mark the arrival of the sawmill in the area. The boards and battens sealed the mud chinking from the weather, and eliminated the necessity of periodic replacement. The use of hand-dressed tongue-and-groove Poplar boards was also a new development. The boxed kitchen was constructed by nailing boards and battens to a sill and plate, without any studs except at the openings and corners. This method of building was copied from the shacks constructed in the lumbering camps. The history of house construction in the Smokies is illustrated of the stages evident in this house. The earliest portion shows the hand hewn log walls of the earliest period, the sawn and hand-dressed boards which seal the house represent a mid-period, and the boxed construction of the kitchen represents the latest period. The blue and yellow paint used on the Raegan House was almost universally used in the mountains. The colors were ordered from the Sears and Roebuck catalog.		
MAJOR ALTERATIONS AND ADDITIONS WITH DATES Several alterations and additions have taken place as noted above. The roof was raised when the board-and batten exterior was added. The stairs to the loft and porch were also later additions.		
PRESENT CONDITION AND USE Restored for exhibition purposes at the original site.		
OTHER INFORMATION AS APPROPRIATE The discussion of the significance of the house was derived in large part by Mr. Samuel E. Henry in the course of interviews with Mr. Lewis Raegan and Mrs. Jiles Raegan of Gatlinburg, Tennessee in 1958.		
SOURCES OF INFORMATION (INCLUDING LISTING ON NATIONAL REGISTER, STATE REGISTERS, ETC.) The data was compiled by Mr. Samuel E. Henry (API) employed at the Great Smoky Mountains National Park during the 1950s.		
COMPILER, AFFILIATION Edited by Marion K. Schlefer, Historic American Buildings Survey Washington, D.C.	DATE April 1985	

# ALFRED REAGAN PLACE

## ROARING FORK TRAIL TENNESSEE

### GREAT SMOKY MOUNTAINS NATIONAL PARK



HISTORIC AMERICAN BUILDINGS SURVEY  
 U. S. DEPARTMENT OF THE INTERIOR  
 NATIONAL PARK SERVICE  
 BRANCH OF PLANS AND DESIGN

MEASURED: AUGUST 1957  
 DRAWN: AUGUST 1957  
 MEASUREMENTS CHECKED:

DRAWINGS APPROVED:

DRAWINGS APPROVED:

ACCEPTED FOR LIBRARY OF CONGRESS:

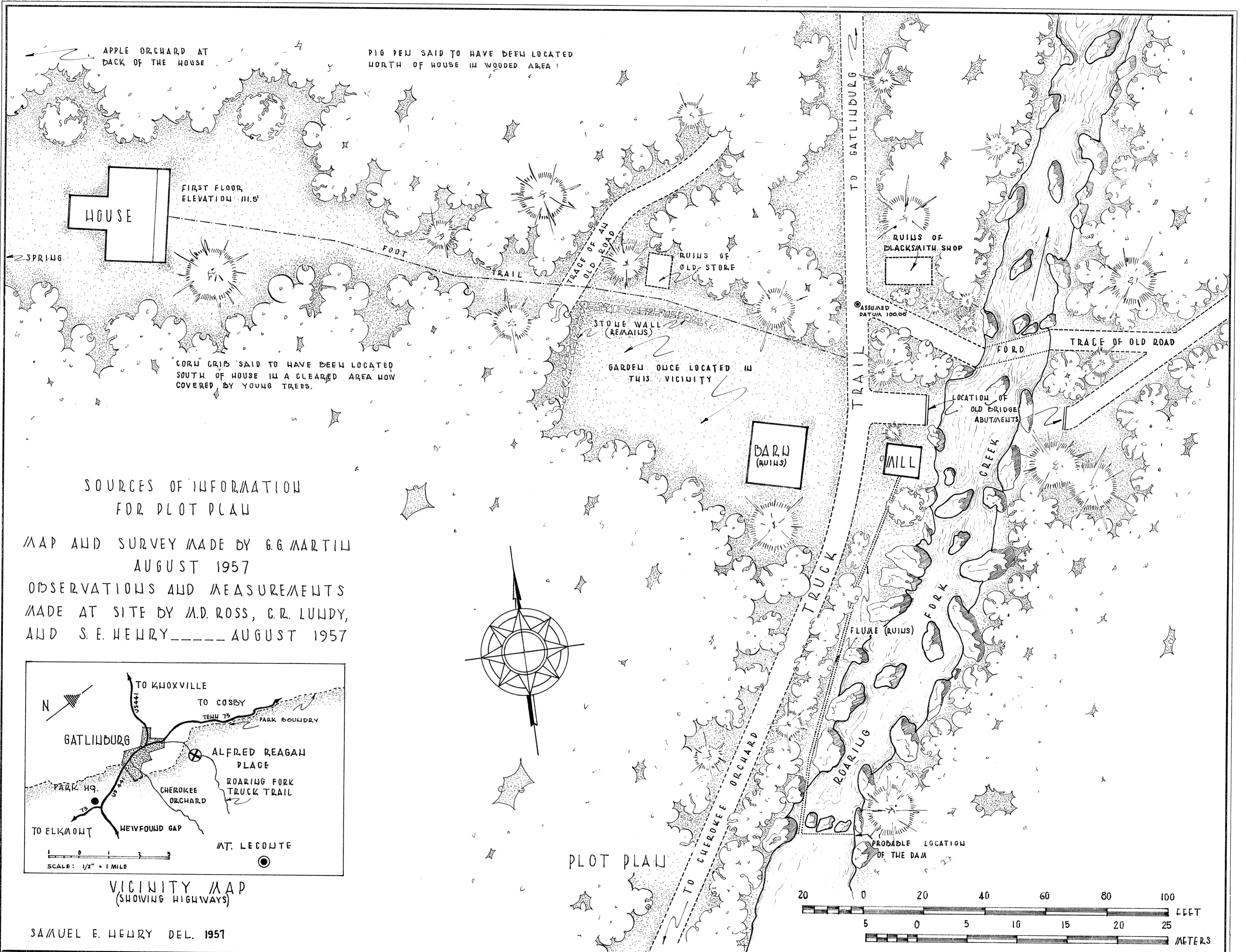
*John B. Cabot*

DISTRICT OFFICER.

CHIEF ARCHITECT.

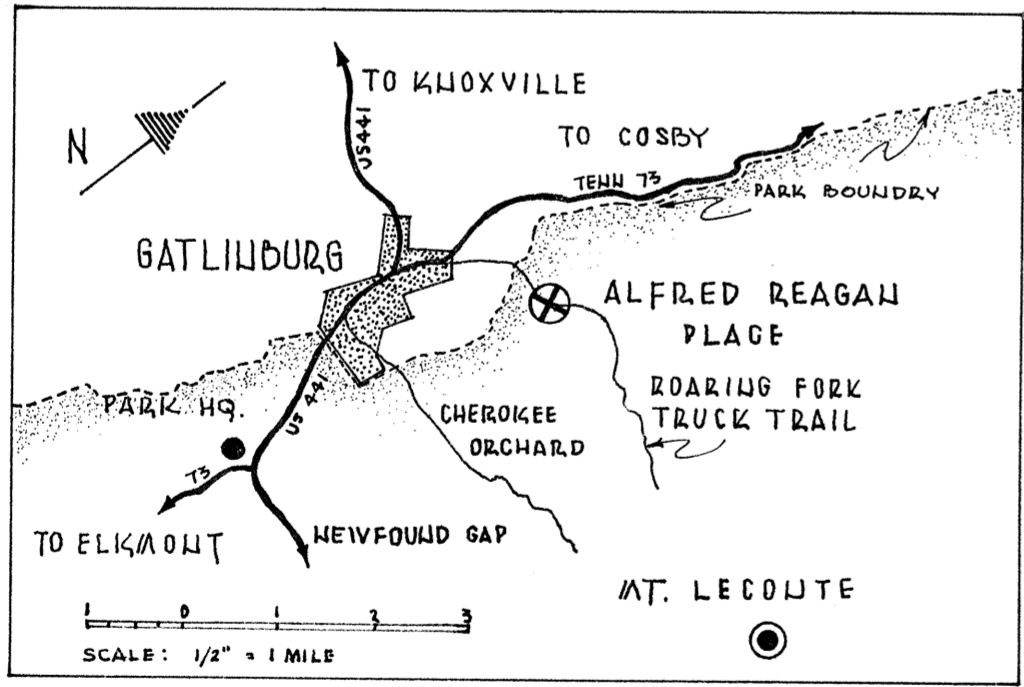
SURVEY NO.  
**TENN**  
 164  
 11 SHEETS

INDEX NO.  
 TENN  
 16. GAT.V  
 3-



SOURCES OF INFORMATION  
FOR PLOT PLAN

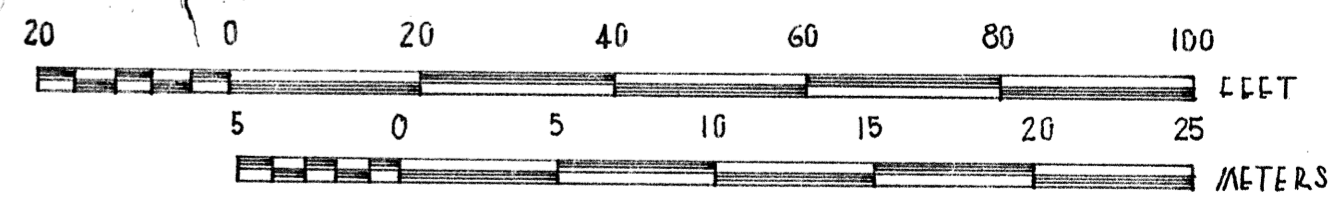
MAP AND SURVEY MADE BY G.G. MARTIN  
AUGUST 1957  
OBSERVATIONS AND MEASUREMENTS  
MADE AT SITE BY M.D. ROSS, C.R. LUNDY,  
AND S.E. HENRY \_\_\_\_\_ AUGUST 1957



VICINITY MAP  
(SHOWING HIGHWAYS)

SAMUEL E. HENRY DEL. 1957

PLOT PLAN



EASTERN OFFICE • DIVISION OF DESIGN & CONSTRUCTION  
PHILADELPHIA  
UNDER DIRECTION OF UNITED STATES DEPARTMENT OF THE INTERIOR  
NATIONAL PARK SERVICE, BRANCH OF PLANS AND DESIGN

NAME OF STRUCTURE  
**ALFRED REAGAN PLACE**  
ROARING FORK • GREAT SMOKY MOUNTAINS NATIONAL PARK • SEVIER COUNTY • TENNESSEE

SURVEY NO.  
TENN  
164

HISTORIC AMERICAN  
BUILDINGS SURVEY  
SHEET 1 OF 11 SHEETS

LIBRARY OF CONGRESS  
INDEX NUMBER

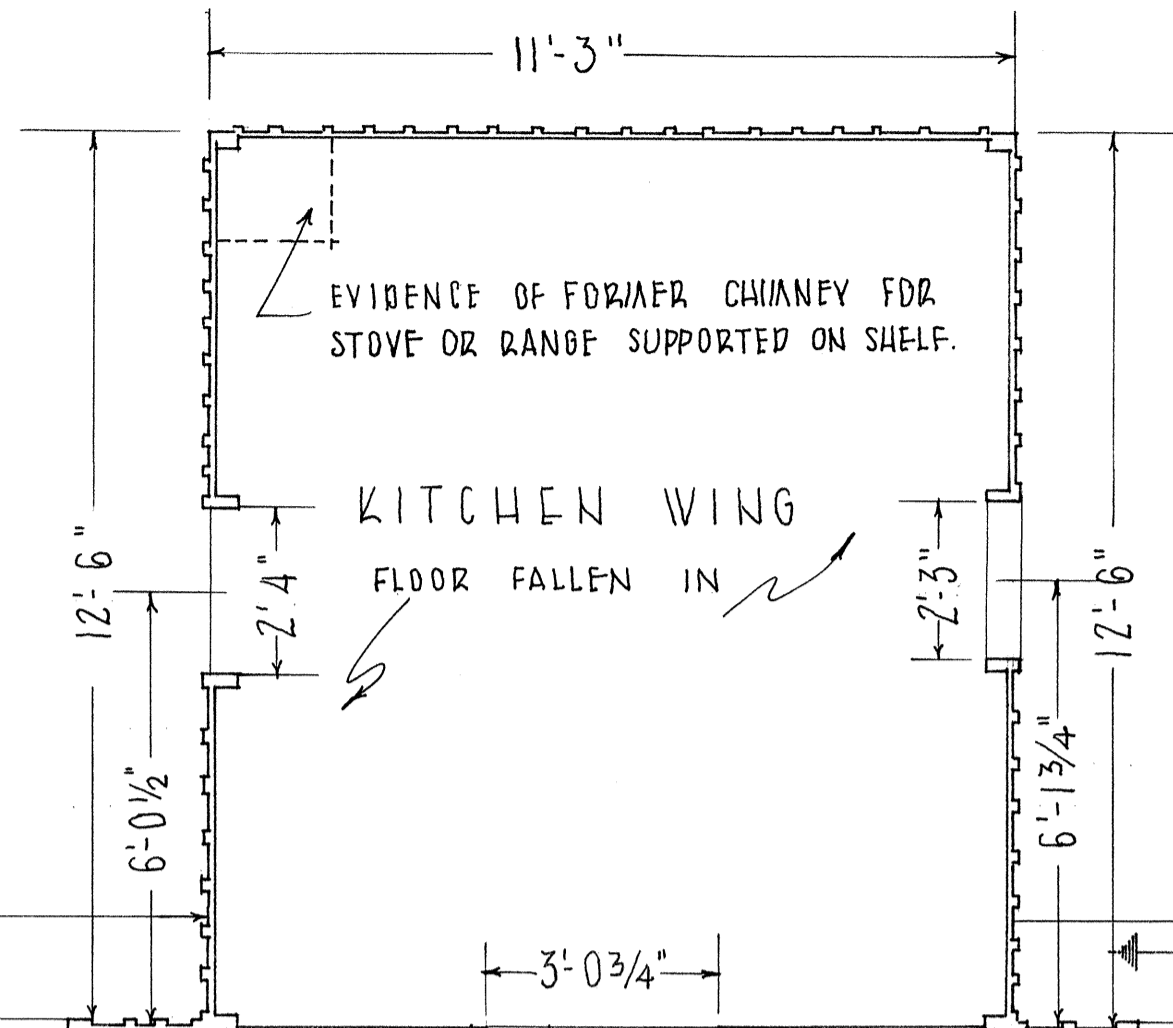
KITCHEN WING LATER ADDITION  
 EXACT DATE OF CONSTRUCTION UNKNOWN

ALL WINDOW SASH MISSING

ALL LOGS USED IN CONSTRUCTION  
 WERE HAND HEWN WITH BROAD AXE

INDICATES CENTER LINE  
 OF CEILING JOISTS

PORCH IS NOW IN EX-  
 TREMELY DILAPIDATED  
 CONDITION.  
 ORIGINAL PORCH POSTS  
 MISSING. TEMPORARY  
 POSTS INSTALLED IN 1948

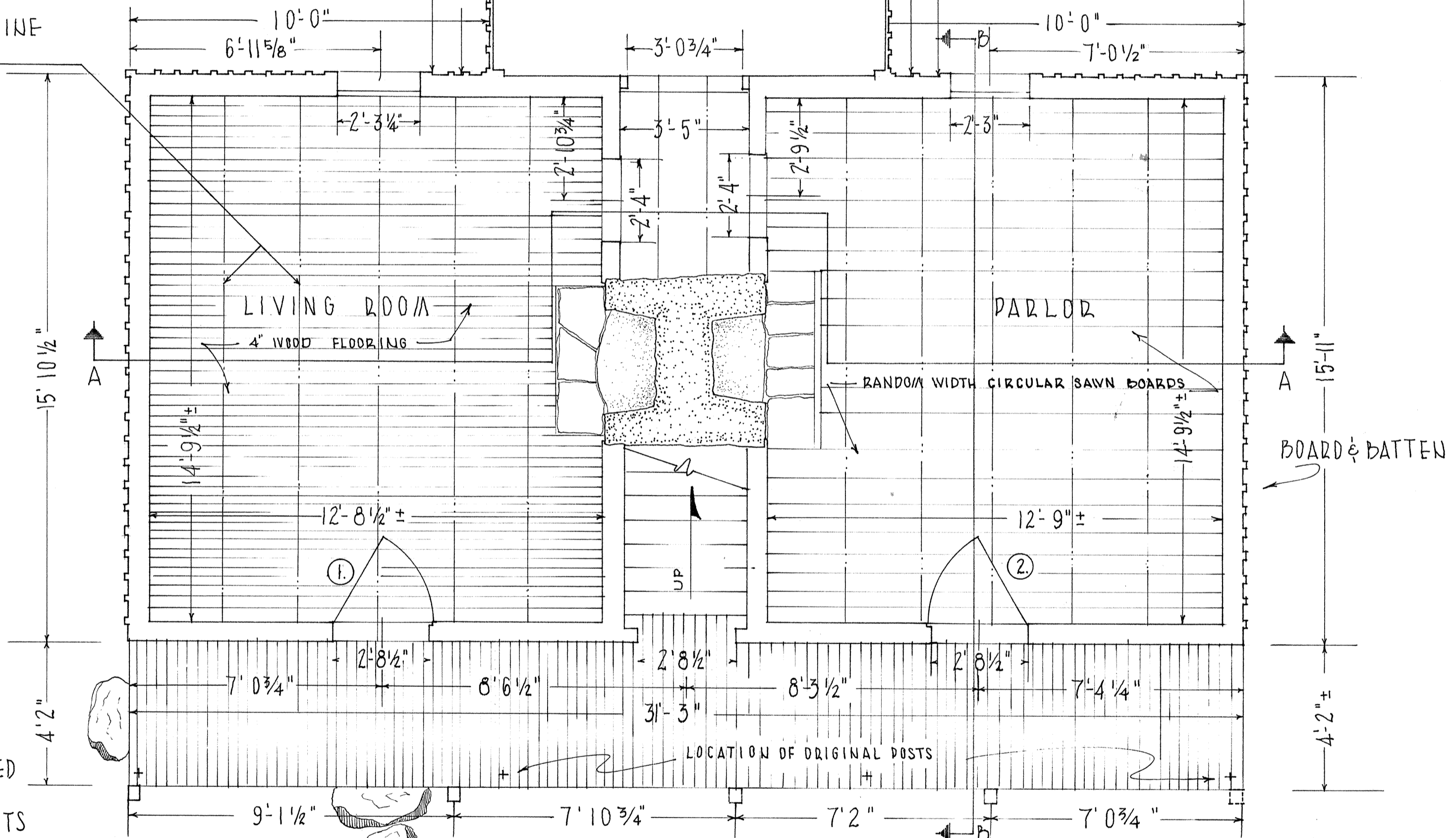


WOOD  
 STONE  
 LEGEND

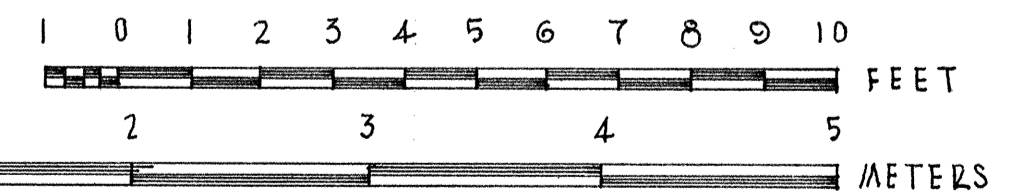
DOOR SCHEDULE

- ①. 1<sup>5</sup>/<sub>16</sub>" x 32 1/2" x 74<sup>5</sup>/<sub>8</sub>"
- ②. 1<sup>5</sup>/<sub>16</sub>" x 32 1/2" x 74<sup>5</sup>/<sub>8</sub>"

ONLY TWO DOORS  
 EXIST AS INDICATED



FIRST FLOOR PLAN  
 SCALE 3/8" = 1'-0"



SAMUEL E. HENRY DEL. 1957

EASTERN OFFICE • DIVISION OF DESIGN & CONSTRUCTION  
 PHILADELPHIA  
 UNDER DIRECTION OF UNITED STATES DEPARTMENT OF THE INTERIOR  
 NATIONAL PARK SERVICE, BRANCH OF PLANS AND DESIGN

NAME OF STRUCTURE  
**ALFRED DEAGAN HOUSE**  
 ROARING FORK • GREAT SMOKY MOUNTAINS NATIONAL PARK • SEVIER COUNTY • TENNESSEE

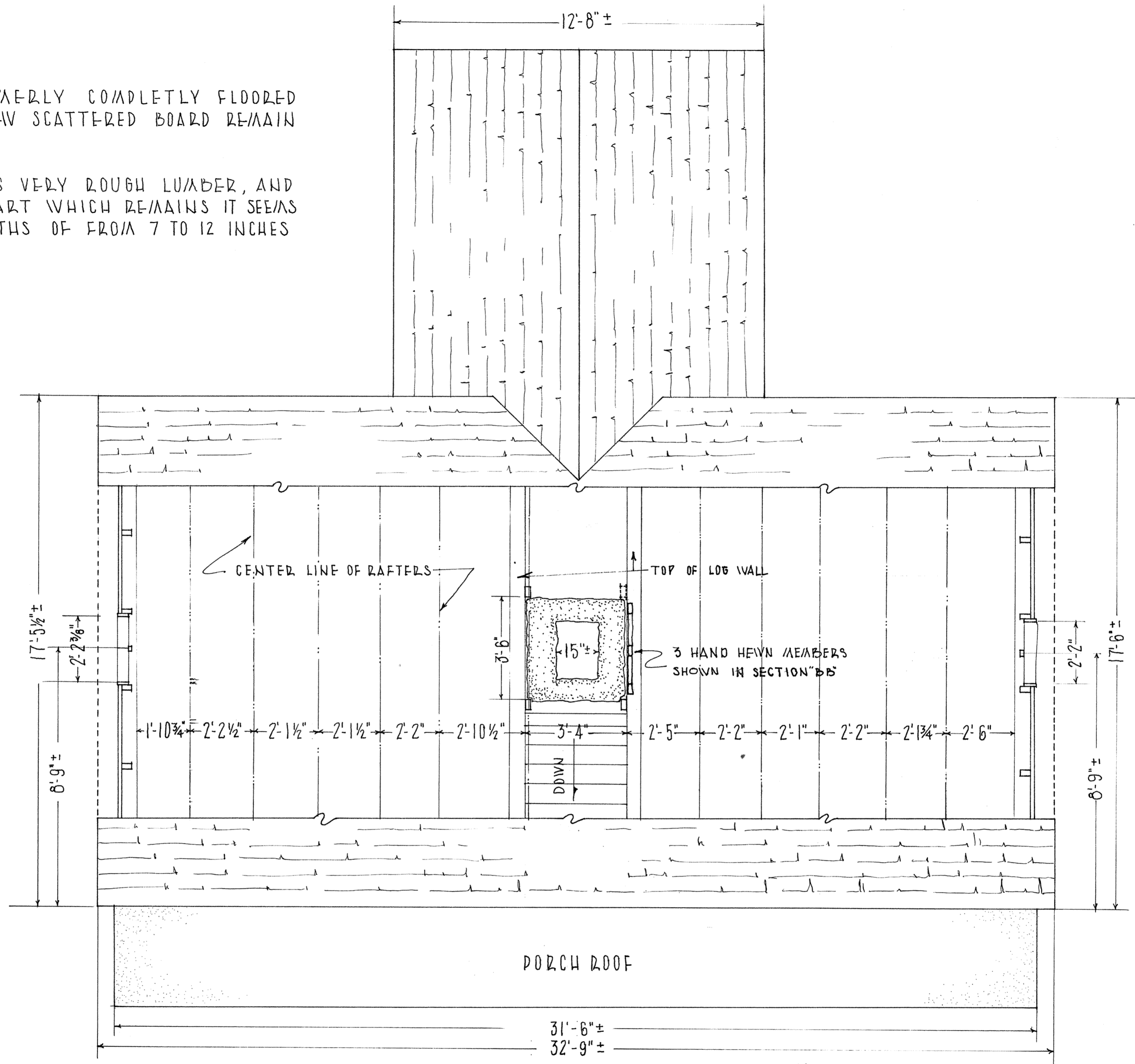
SURVEY NO.  
**TENN**  
**164**

HISTORIC AMERICAN  
 BUILDINGS SURVEY  
 SHEET 2 OF 11 SHEETS

LIBRARY OF CONGRESS  
 INDEX NUMBER

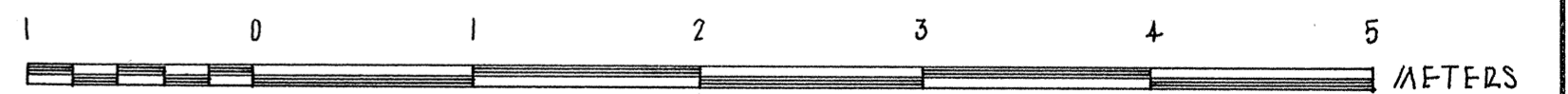
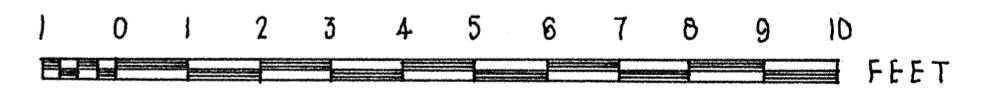
NOTE:  
LOFT WAS FORMERLY COMPLETELY FLOORED  
BUT ONLY A FEW SCATTERED BOARD REMAIN  
IN PLACE

FLOORING WAS VERY ROUGH LUMBER, AND  
FROM THAT PART WHICH REMAINS IT SEEMS  
TO RUN IN WIDTHS OF FROM 7 TO 12 INCHES



LOFT FLOOR PLAN

SCALE: 3/8" = 1'-0"



SAMUEL E. HENRY - DEL. 1957

EASTERN OFFICE • DIVISION OF DESIGN & CONSTRUCTION  
PHILADELPHIA  
UNDER DIRECTION OF UNITED STATES DEPARTMENT OF THE INTERIOR  
NATIONAL PARK SERVICE, BRANCH OF PLANS AND DESIGN

NAME OF STRUCTURE  
**ALFRED REAGAN HOUSE**  
ROARING FORK • GREAT SMOKY MOUNTAINS NATIONAL PARK • SEVIER COUNTY • TENNESSEE

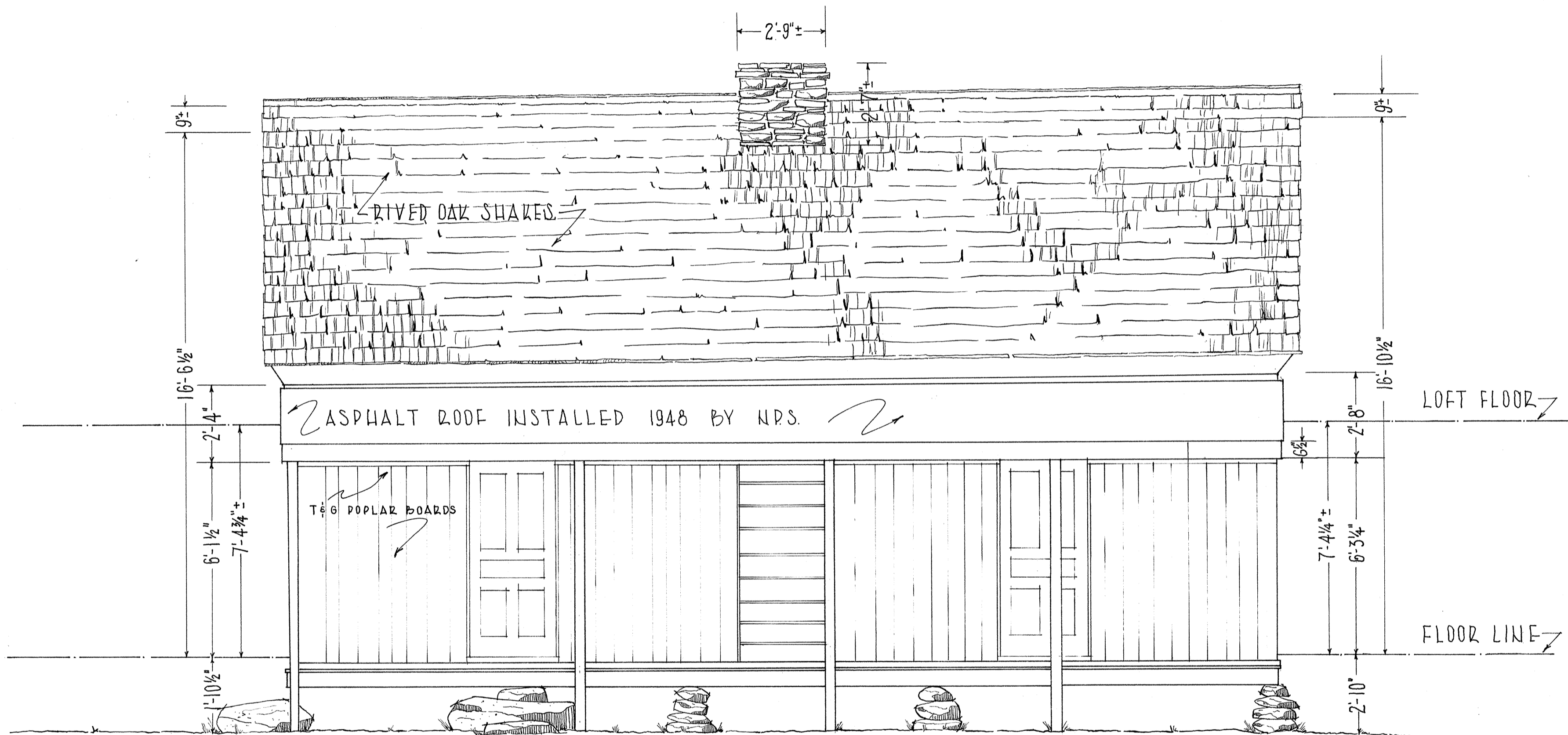
SURVEY NO.  
**TENN**  
**164**

HISTORIC AMERICAN  
BUILDINGS SURVEY  
SHEET 3 OF 11 SHEETS

LIBRARY OF CONGRESS  
INDEX NUMBER

NOTE:  
 PRESENT PORCH POSTS ARE ROUGH  
 REPLACEMENTS OF 1948  
 ORIGINAL POSTS WERE ROUND

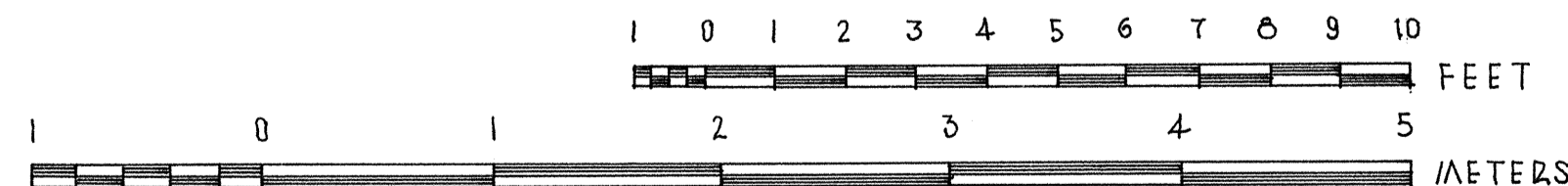
COLORS:  
 CORNICE WAS BLUE  
 DOORS BLUE WITH YELLOW PANELS  
 T&G BOARDS WHITE WITH BLUE MOLDING  
 FASCIA ON PORCH, BLUE /w YELLOW MOLDING



EAST ELEVATION  
 SCALE: 3/8"=1'-0"

GROUND FLOOR ASSUMED LEVEL  
 ALL VERTICAL MEASUREMENTS FROM GROUND FLOOR

SAMUEL E. HENRY - DEL. 1957



EASTERN OFFICE • DIVISION OF DESIGN & CONSTRUCTION  
 PHILADELPHIA  
 UNDER DIRECTION OF UNITED STATES DEPARTMENT OF THE INTERIOR  
 NATIONAL PARK SERVICE, BRANCH OF PLANS AND DESIGN

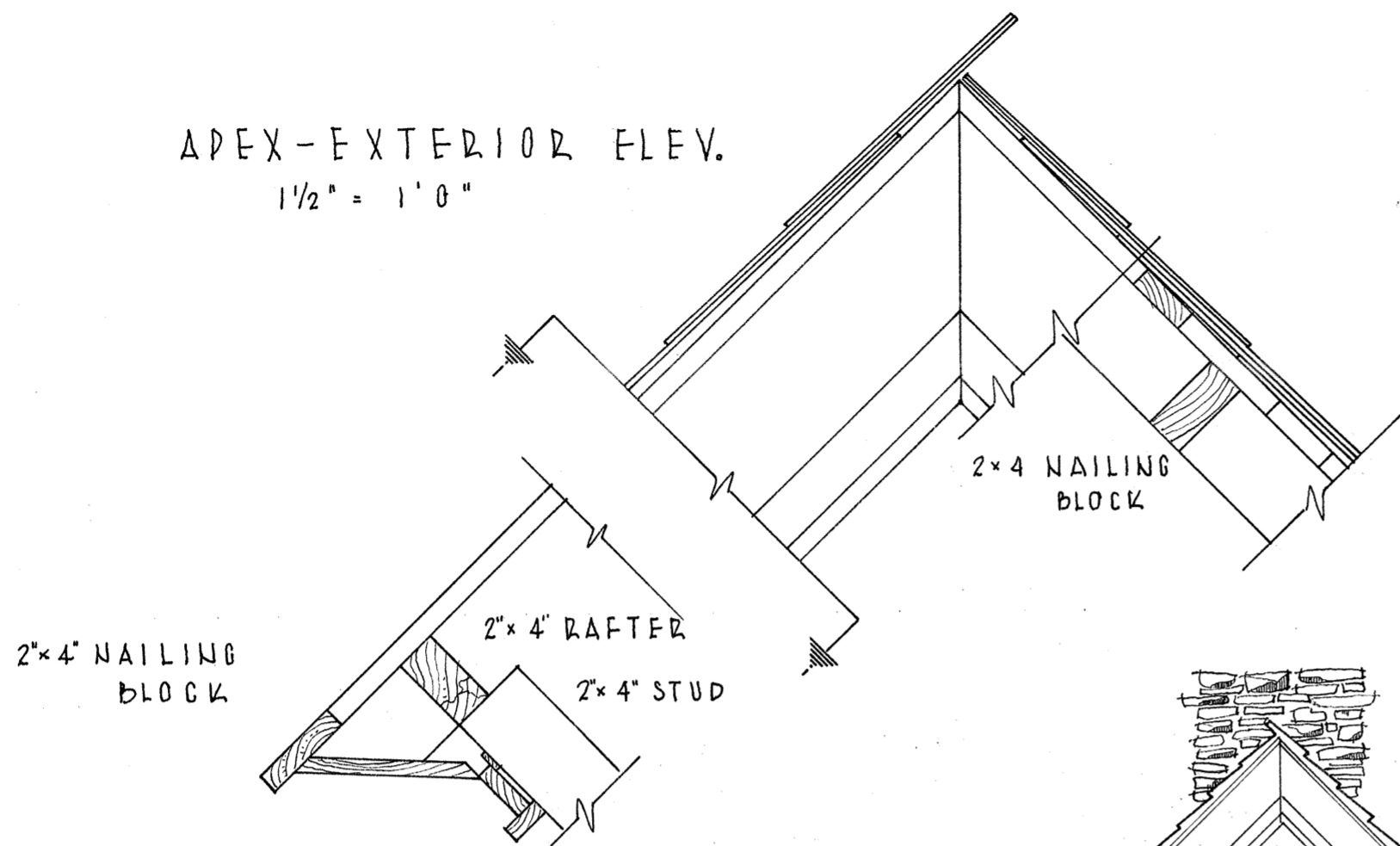
NAME OF STRUCTURE  
**ALFRED REAGAN HOUSE**  
 ROARING FORK • GREAT SMOKY MOUNTAINS NATIONAL PARK • SEVIER COUNTY • TENNESSEE

SURVEY NO.  
**TENN**  
**164**

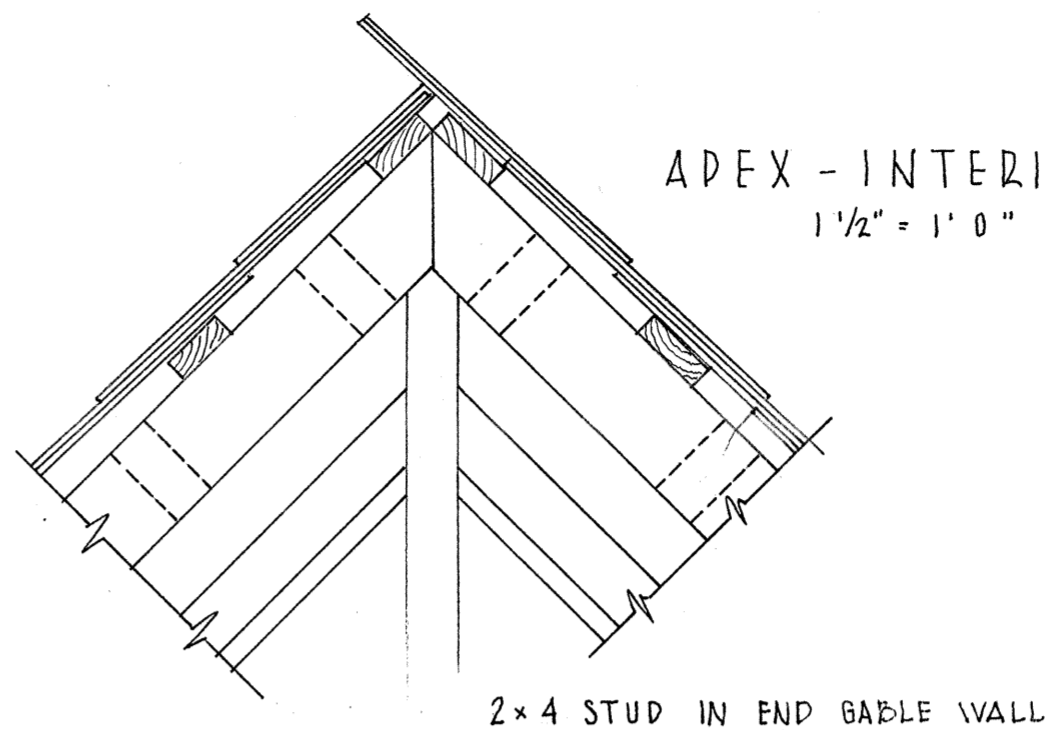
HISTORIC AMERICAN  
 BUILDINGS SURVEY  
 SHEET 4 OF 11 SHEETS

LIBRARY OF CONGRESS  
 INDEX NUMBER

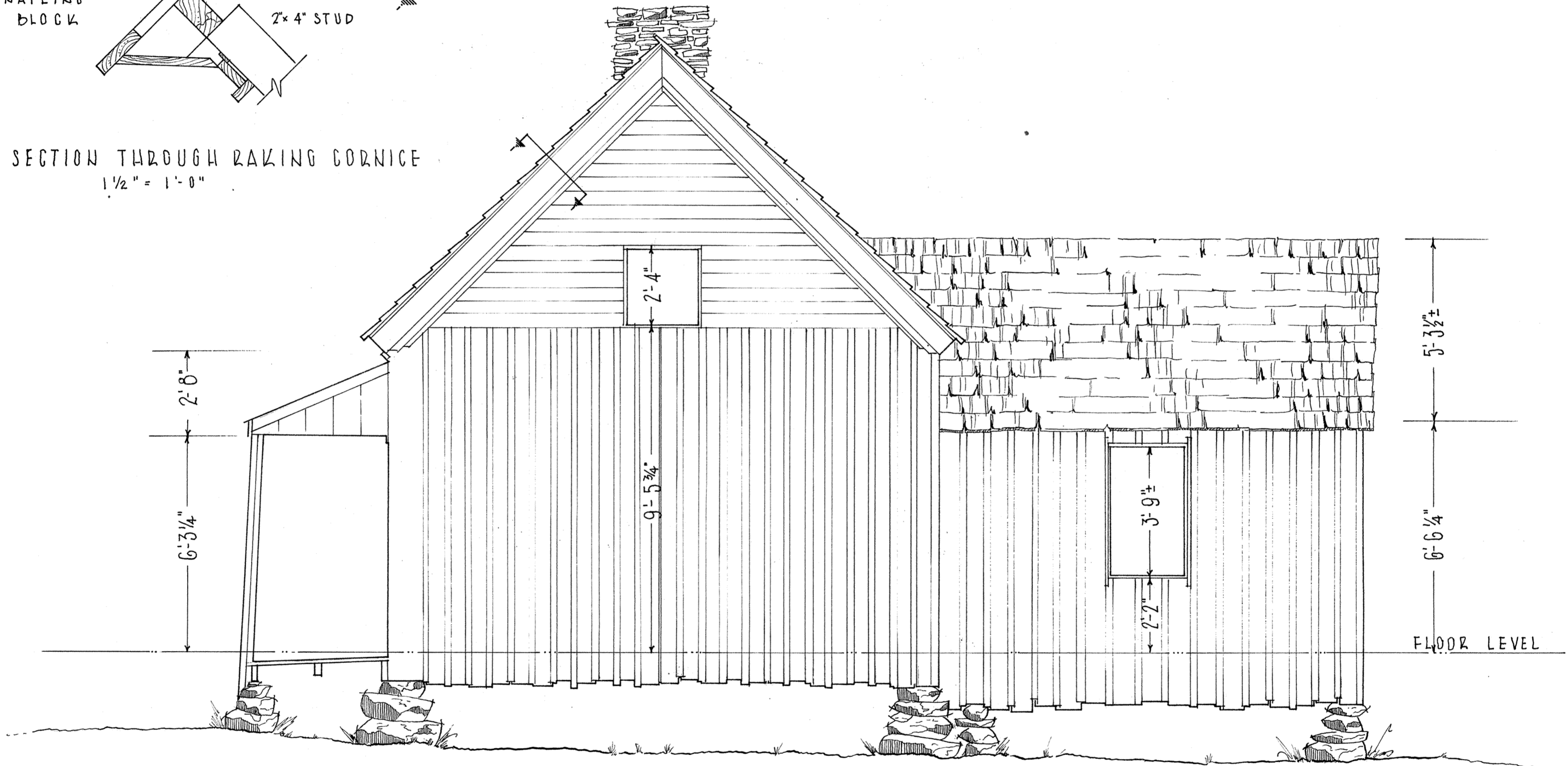
APEX-EXTERIOR ELEV.  
1/2" = 1'-0"



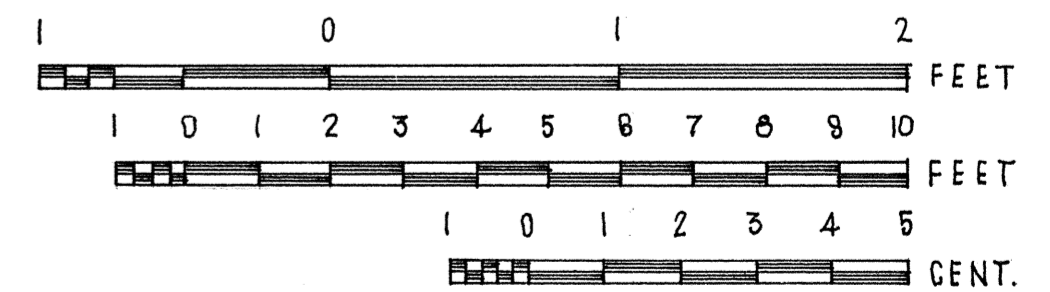
APEX-INTERIOR ELEV.  
1/2" = 1'-0"



SECTION THROUGH BAKING CORNICE  
1/2" = 1'-0"



NORTH ELEVATION  
SCALE: 3/8" = 1'-0"



SAMUEL E. HENRY - DEL. 1957

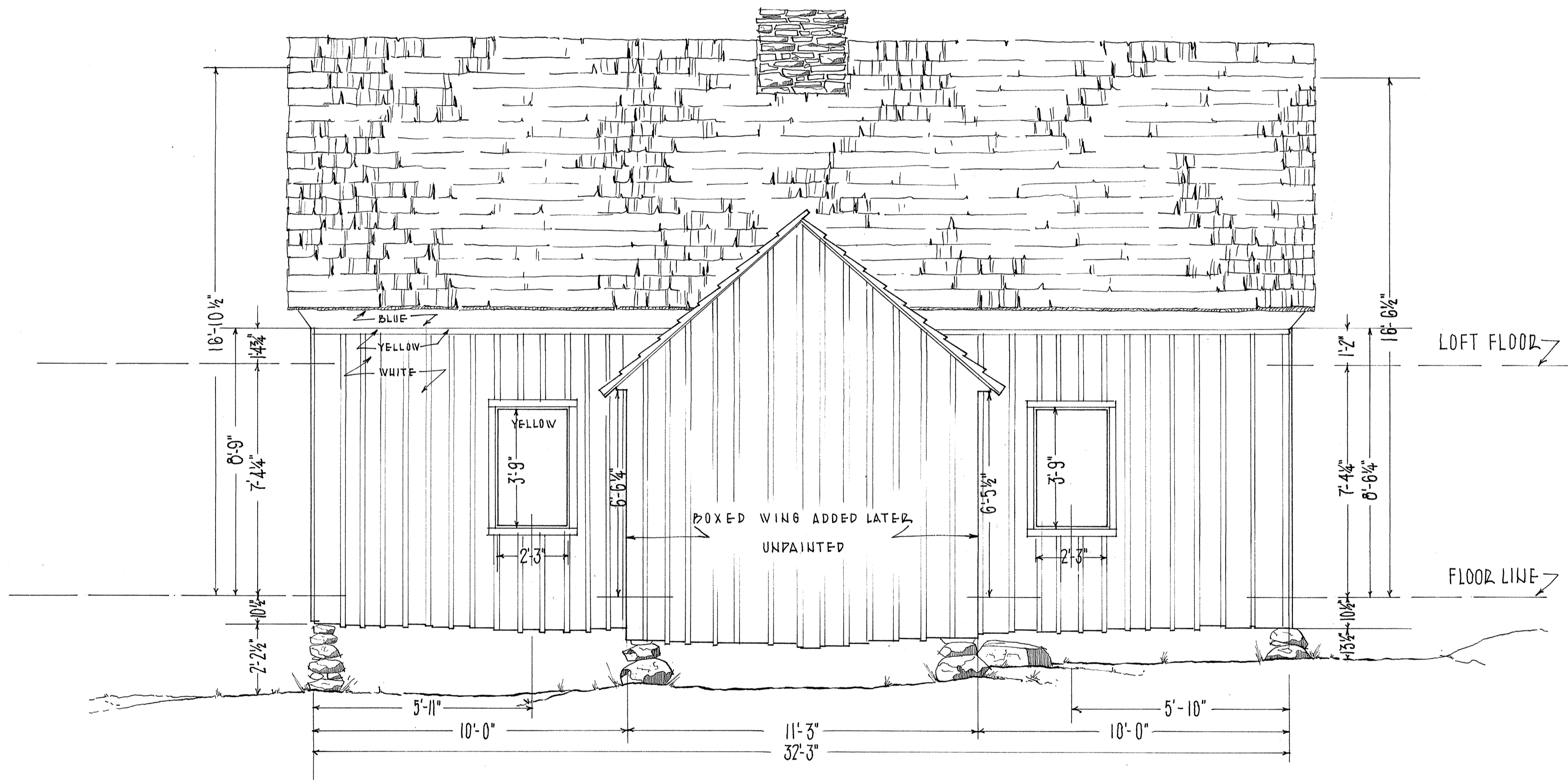
EASTERN OFFICE • DIVISION OF DESIGN & CONSTRUCTION  
PHILADELPHIA  
UNDER DIRECTION OF UNITED STATES DEPARTMENT OF THE INTERIOR  
NATIONAL PARK SERVICE, BRANCH OF PLANS AND DESIGN

NAME OF STRUCTURE  
**ALFRED REAGAN HOUSE**  
ROADING FORK • GREAT SMOKY MOUNTAINS NATIONAL PARK • SEVIER COUNTY • TENNESSEE

SURVEY NO.  
**TENN**  
**164**

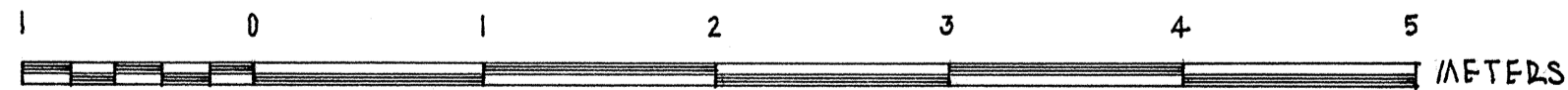
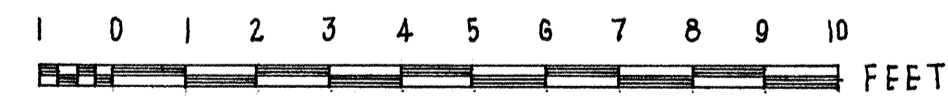
HISTORIC AMERICAN  
BUILDINGS SURVEY  
SHEET 5 OF 11 SHEETS

LIBRARY OF CONGRESS  
INDEX NUMBER



WEST ELEVATION

SCALE  $\frac{3}{8}$ " = 1'-0"



SAMUEL F. HENRY - DEL. 1957

EASTERN OFFICE • DIVISION OF DESIGN & CONSTRUCTION  
PHILADELPHIA  
UNDER DIRECTION OF UNITED STATES DEPARTMENT OF THE INTERIOR  
NATIONAL PARK SERVICE, BRANCH OF PLANS AND DESIGN

NAME OF STRUCTURE

ALFRED DEAGAN HOUSE

SURVEY NO.

TENN  
164

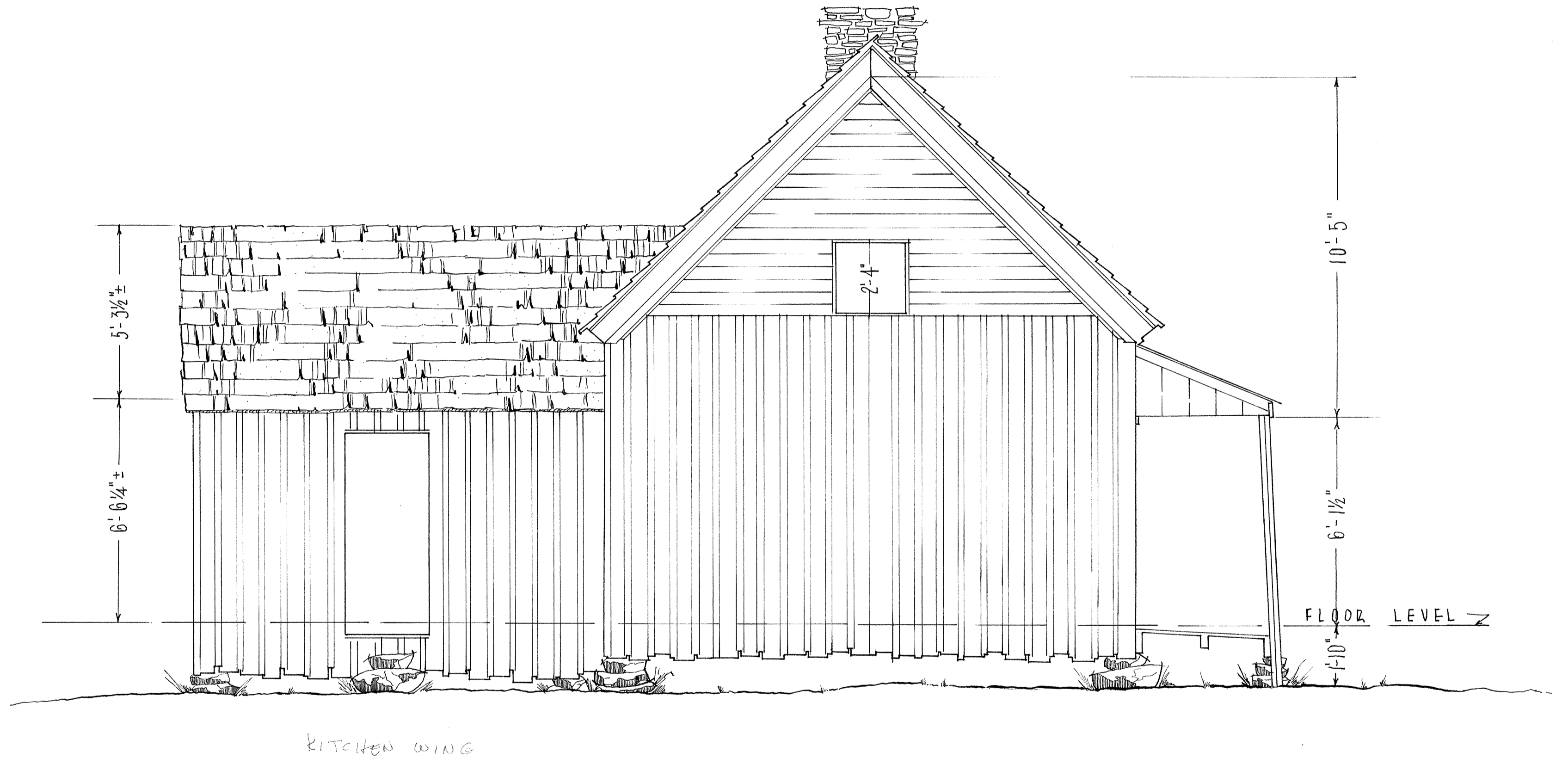
HISTORIC AMERICAN  
BUILDINGS SURVEY  
SHEET 6 OF 11 SHEETS

LIBRARY OF CONGRESS  
INDEX NUMBER

BOARDING FORK • GREAT SMOKY MOUNTAINS NATIONAL PARK • SEVIER COUNTY • TENNESSEE

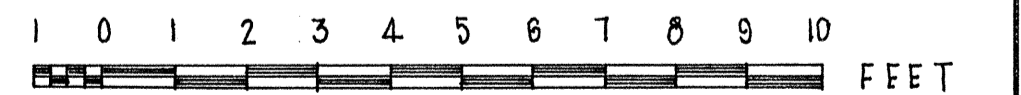
NOTE:  
 AT THE PRESENT TIME THE LATER ADDITION WHICH WAS MADE ON THE WEST SIDE OF THE HOUSE (THE KITCHEN) IS IN ALMOST COMPLETE RUIN; THEREFORE, THE DIMENSIONS GIVEN IN THESE DRAWINGS CAN ONLY BE ACCEPTED AS APPROXIMATE.

THERE IS EVIDENCE OF A CHIMNEY IN THE RUINS OF THE KITCHEN, ALTHOUGH THE EXACT LOCATION COULD NOT BE DETERMINED, BUT FROM THE RUINS OF THE CHIMNEY IT WAS DETERMINED THAT IT HAD BEEN LOCATED NEAREST THE SOUTH-WEST CORNER.



SOUTH ELEVATION

SCALE: 3/8" = 1'-0"



SAMUEL E. HENRY DEL. 1957

EASTERN OFFICE - DIVISION OF DESIGN & CONSTRUCTION  
 PHILADELPHIA  
 UNDER DIRECTION OF UNITED STATES DEPARTMENT OF THE INTERIOR  
 NATIONAL PARK SERVICE, BRANCH OF PLANS AND DESIGN

NAME OF STRUCTURE

ALFRED REAGAN HOUSE

ROARING FORK • GREAT SMOKY MOUNTAINS NATIONAL PARK • SEVIER COUNTY • TENNESSEE

SURVEY NO.  
 TENN  
 164

HISTORIC AMERICAN  
 BUILDINGS SURVEY  
 SHEET 7 OF 11 SHEETS

LIBRARY OF CONGRESS  
 INDEX NUMBER

NOTE:

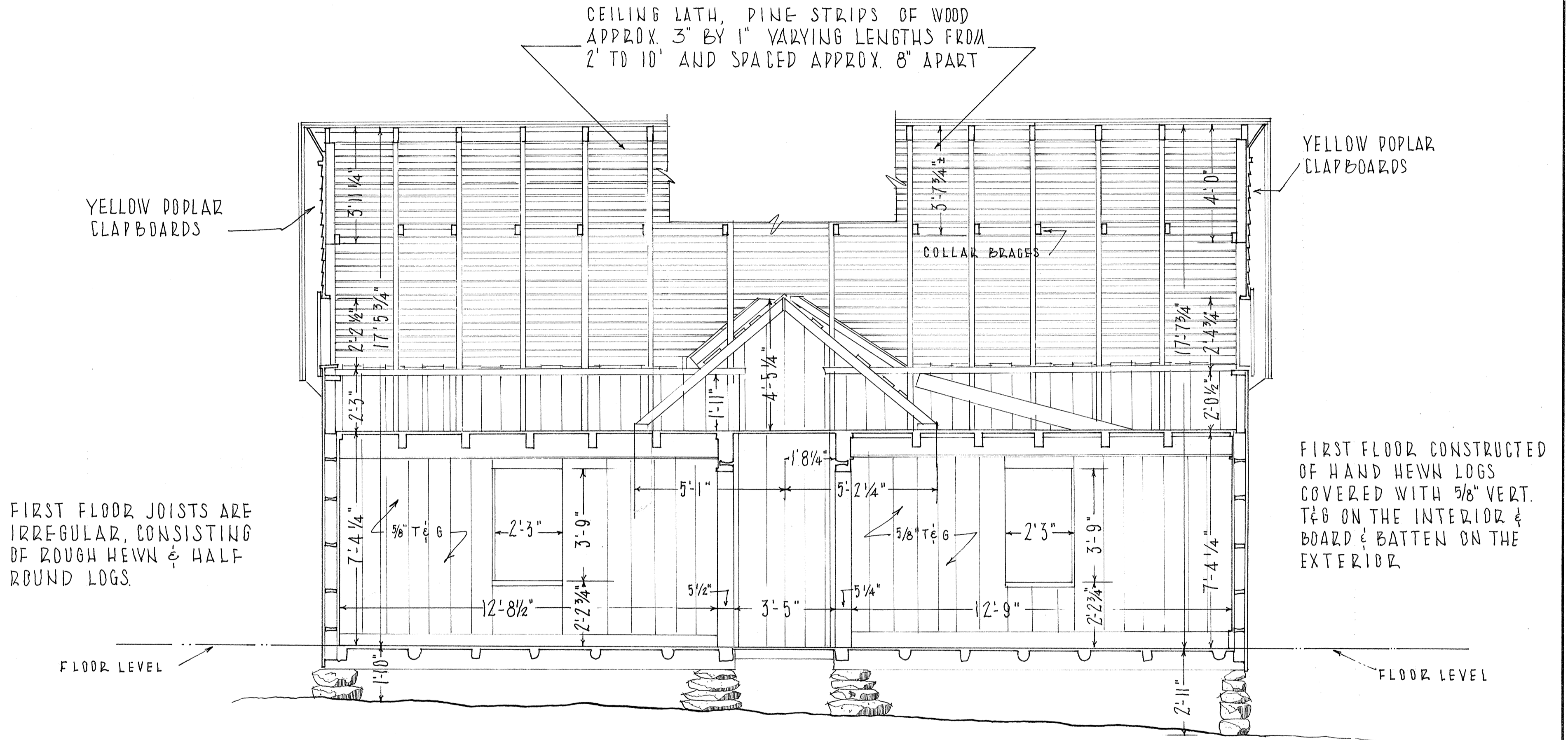
SECTION BY-PASSES THE CHIMNEY IN ORDER TO SHOW THE FRAMING OF THE KITCHEN INTO THE MAIN BLOCK.

LOFT FLOOR JOIST ARE HAND HEWN AND PLANED APPROX. 3" x 5"

NOTE:

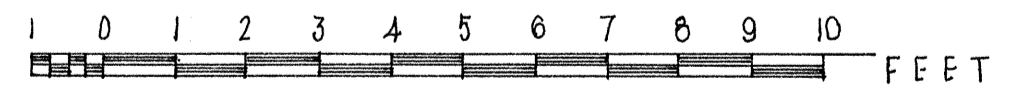
LOFT FRAMED IN CIRCULAR SAWN SCANTLING 2" x 4" 'S & 2" x 6" 'S.

TRACE OF ATTIC FLOOR CLEARLY DEFINED, BUT MOST BOARDS ARE MISSING.



SECTION A A

SCALE 3/8" = 1'-0"



SAMUEL E. HENDY DEL. 1957

EASTERN OFFICE • DIVISION OF DESIGN & CONSTRUCTION  
PHILADELPHIA  
UNDER DIRECTION OF UNITED STATES DEPARTMENT OF THE INTERIOR  
NATIONAL PARK SERVICE, BRANCH OF PLANS AND DESIGN

NAME OF STRUCTURE

ALFRED REAGAN HOUSE

ROARING FORK • GREAT SMOKY MOUNTAINS NATIONAL PARK • SEVIER COUNTY • TENNESSEE

SURVEY NO.  
TENN  
164

HISTORIC AMERICAN  
BUILDINGS SURVEY  
SHEET 8 OF 11 SHEETS

LIBRARY OF CONGRESS  
INDEX NUMBER

NOTE:

CHIMNEY BUILT OF VARIOUS SIZE FIELD STONE JOINTS FILLED WITH MUD MORTAR

FRAMING SHOWN ON FACE OF CHIMNEY @ IN SECTION BB IS ASSUMED TO BE PART OF THE ROOF FRAMING OF THE ORIGINAL STRUCTURE WHICH WAS LOG. DURING THE TIME THE SIDING WAS ADDED THE ROOF WAS RAISED TO ITS ORIGINAL HEIGHT. ALL CONSTRUCTION ABOVE THE CEILING JOISTS IS OF CIRCULAR SAWN LUMBER EXCEPT FOR THE 3 PIECES ON CHIMNEY

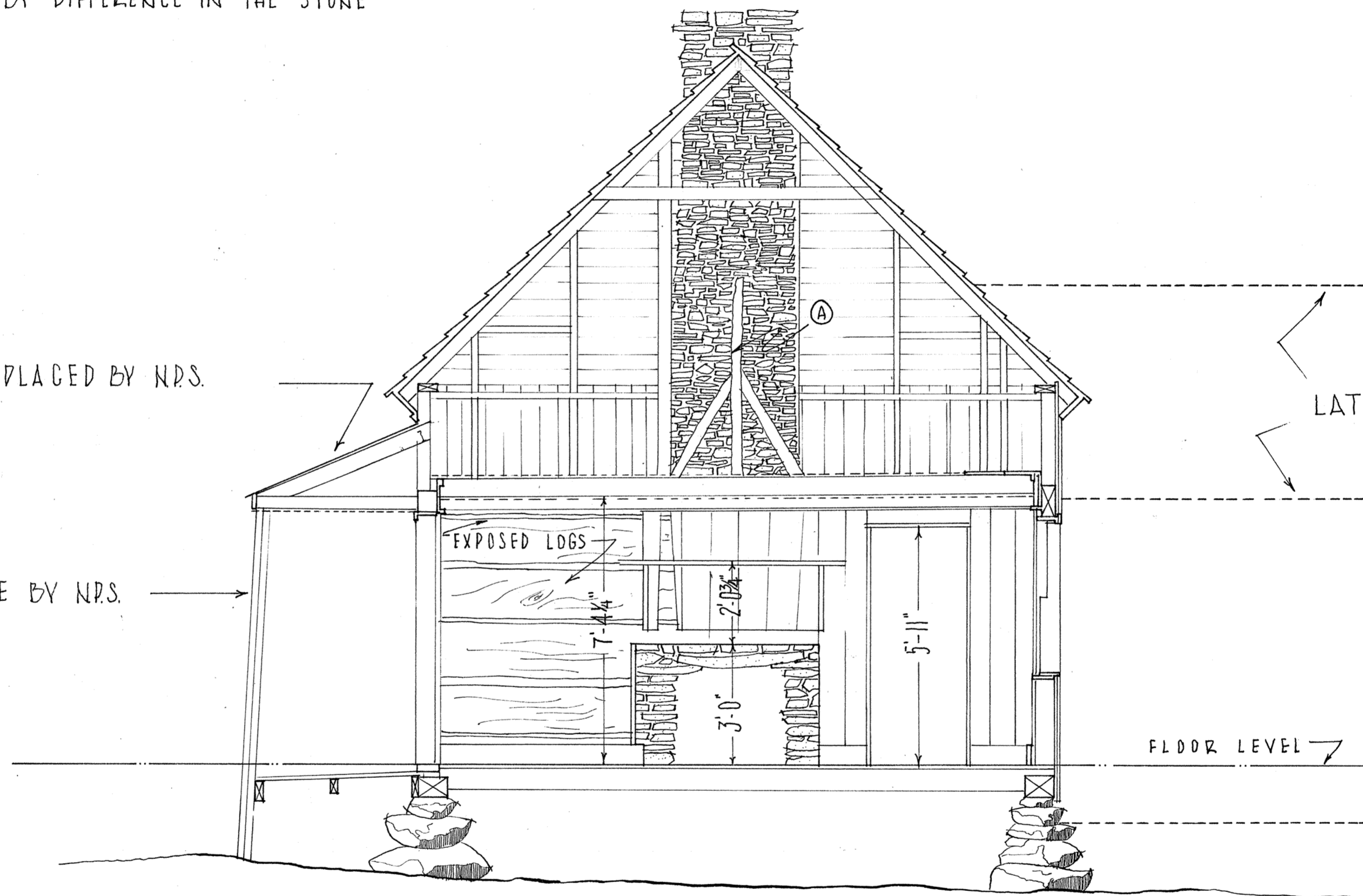
ALSO EVIDENCE OF ADDING HEIGHT TO THE CHIMNEY CAN BE DISTINGUISHED BY DIFFERENCE IN THE STONE

LATER ADDITION TO ORIGINAL HOUSE MADE COMPLETELY OF CIRCULAR SAWN LUMBER AND AFTERWARDS UTILIZED AS THE KITCHEN (OUTLINED BY DOTTED LINES)

ASPHALT ROOF REPLACED BY NRS.

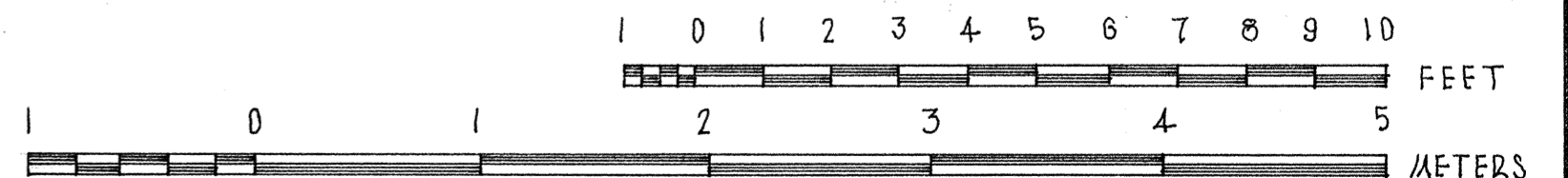
REPLACEMENT MADE BY NRS.

LATER ADDITION



SECTION BB

SCALE: 3/8" = 1'-0"



SAMUEL E. HENRY DEL. 1957

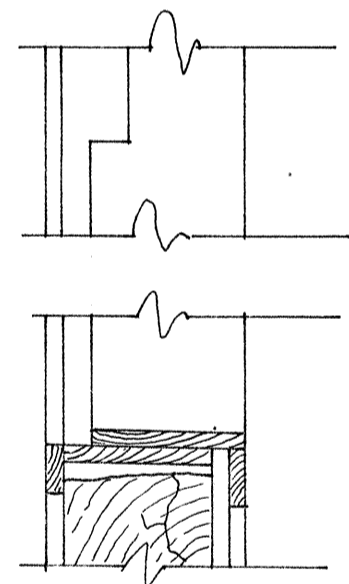
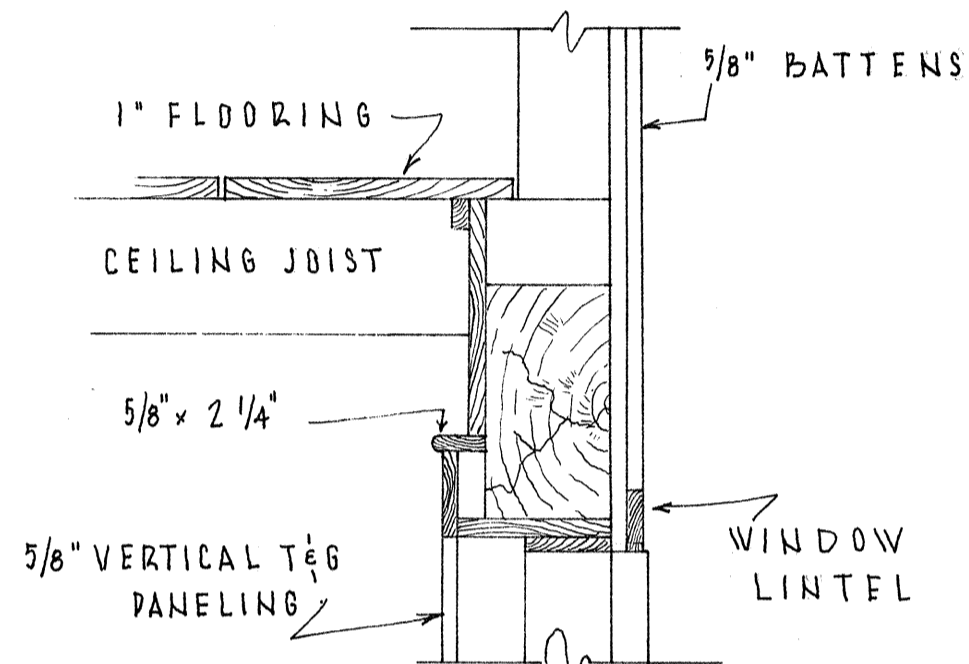
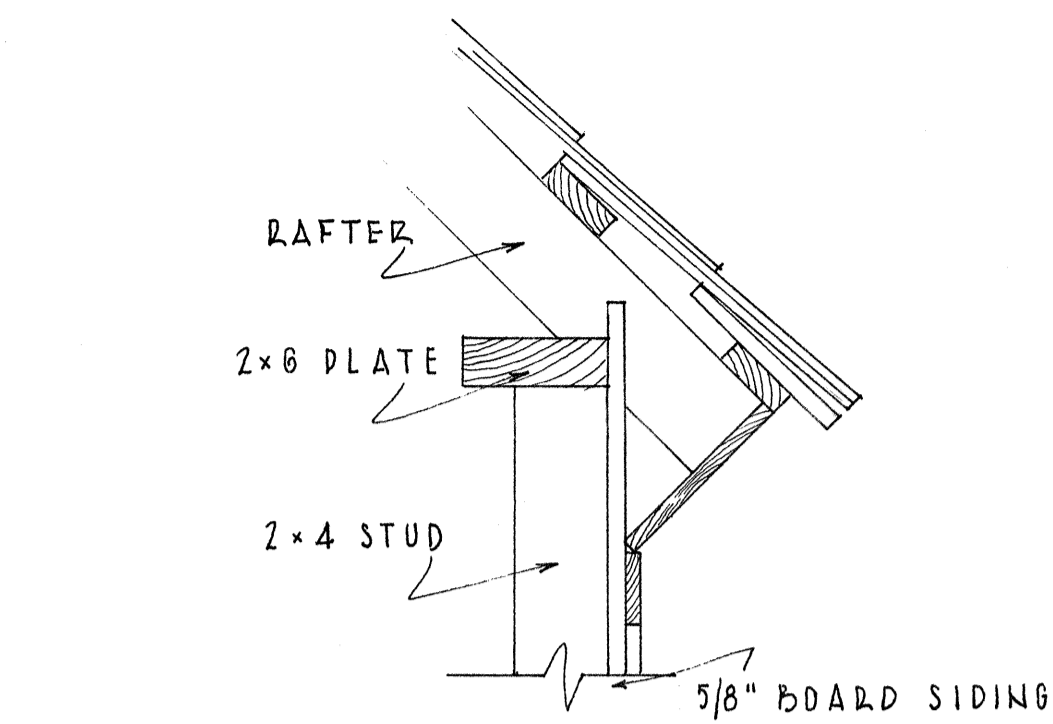
EASTERN OFFICE • DIVISION OF DESIGN & CONSTRUCTION  
PHILADELPHIA  
UNDER DIRECTION OF UNITED STATES DEPARTMENT OF THE INTERIOR  
NATIONAL PARK SERVICE, BRANCH OF PLANS AND DESIGN

NAME OF STRUCTURE  
**ALFRED REAGAN HOUSE**  
ROARING FORK • GREAT SMOKY MOUNTAINS NATIONAL PARK • SEVIER COUNTY • TENNESSEE

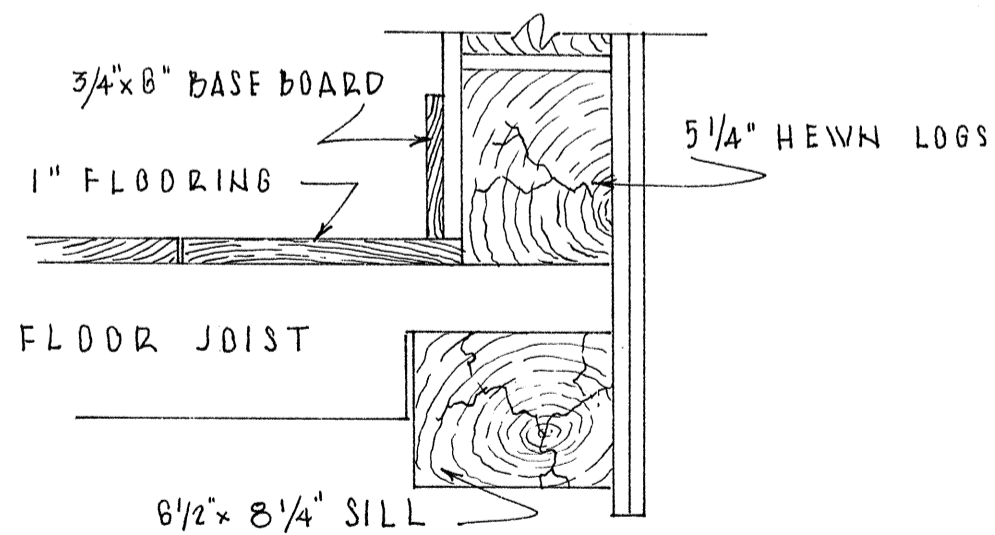
SURVEY NO.  
**TENN**  
164

HISTORIC AMERICAN  
BUILDINGS SURVEY  
SHEET 9 OF 11 SHEETS

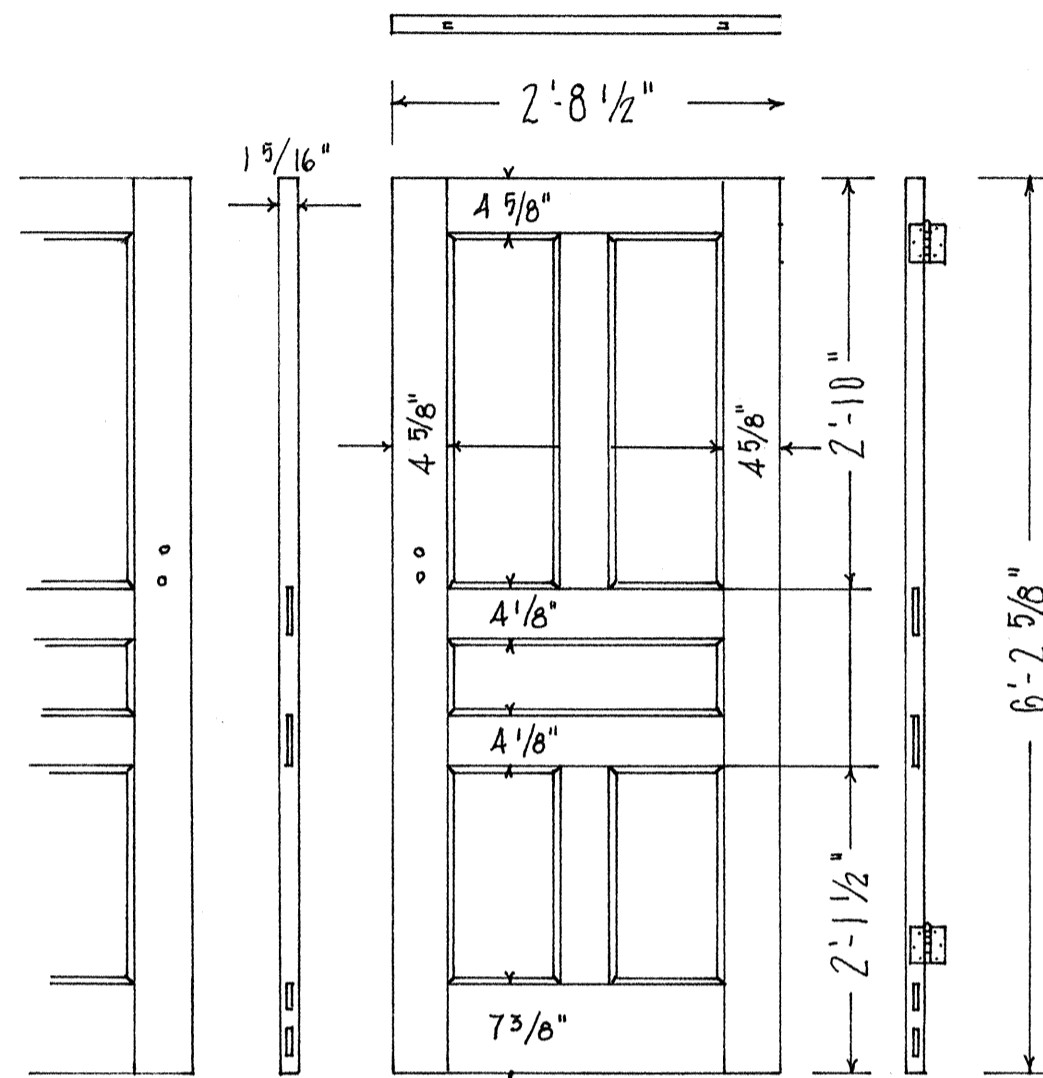
LIBRARY OF CONGRESS  
INDEX NUMBER



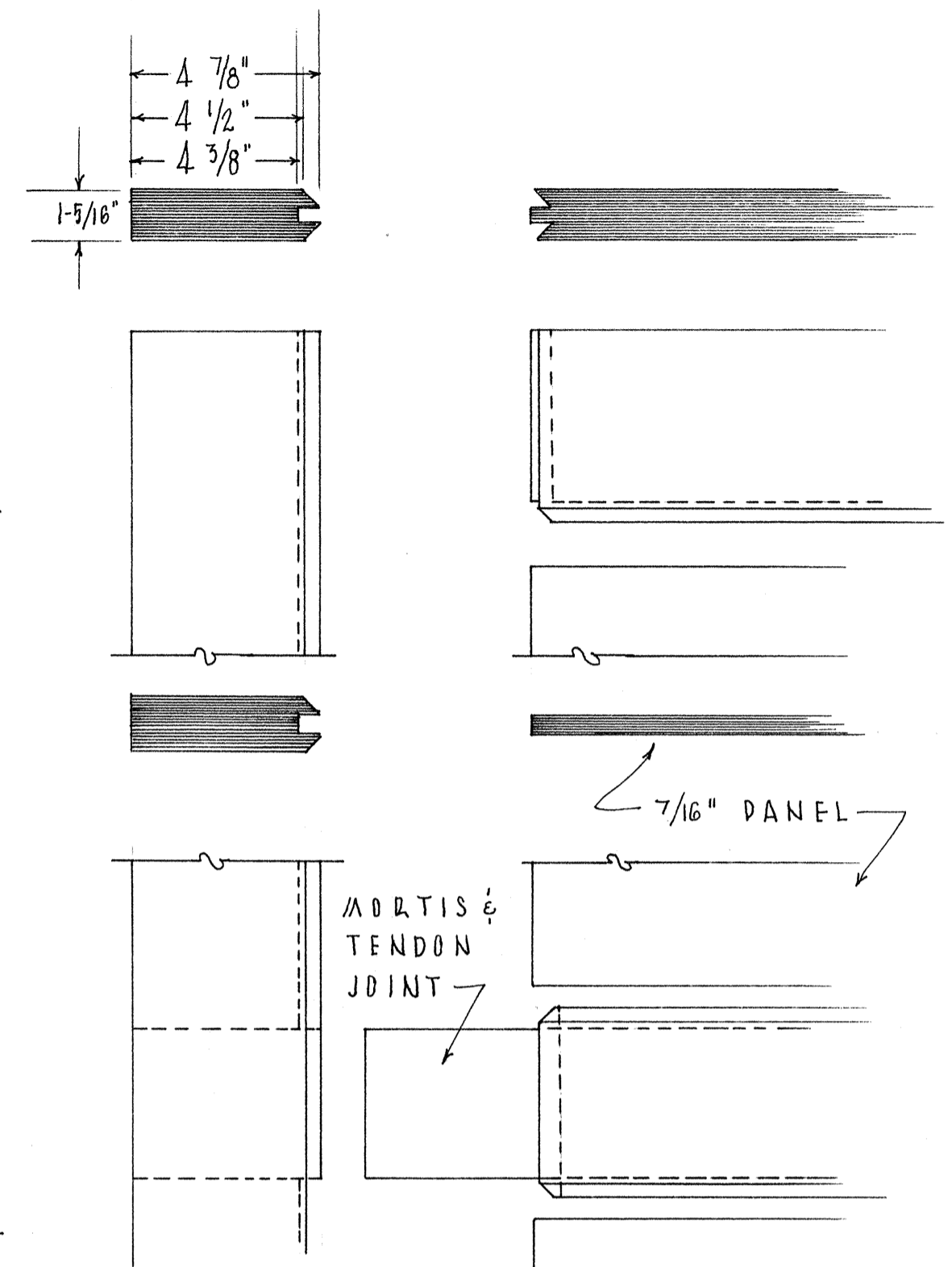
TYPICAL WALL SECTION  
SCALE: 1 1/2" = 1'-0"



BLUE FRAME & YELLOW  
PANELS ON EXTERIOR  
SIDE OF DOOR.  
INTERIOR SIDE OF DOOR  
STAINED BROWN

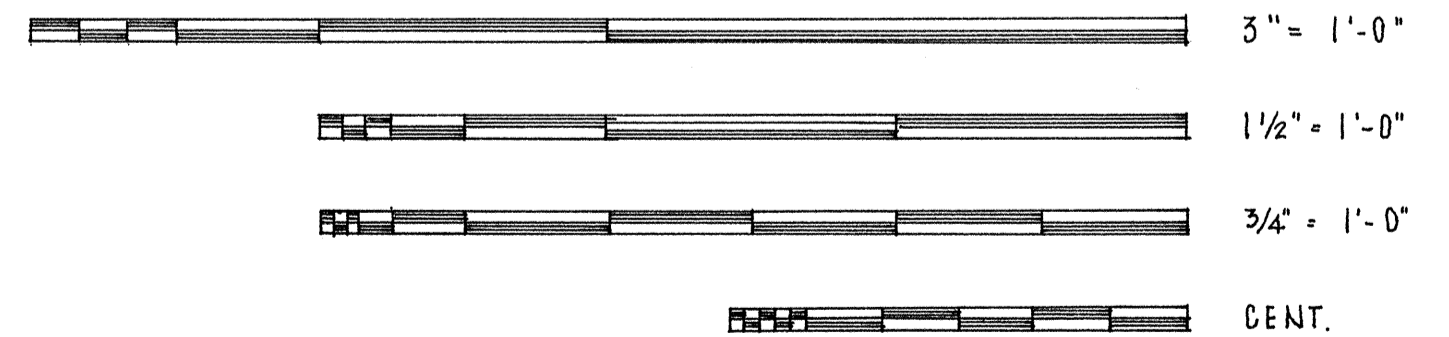


ELEVATIONS  
SCALE 3/4" = 1'-0"



JOINING DETAILS  
SCALE 3" = 1'-0"

FRONT DOOR DETAILS



SAMUEL E. HENDY DEL. 1957

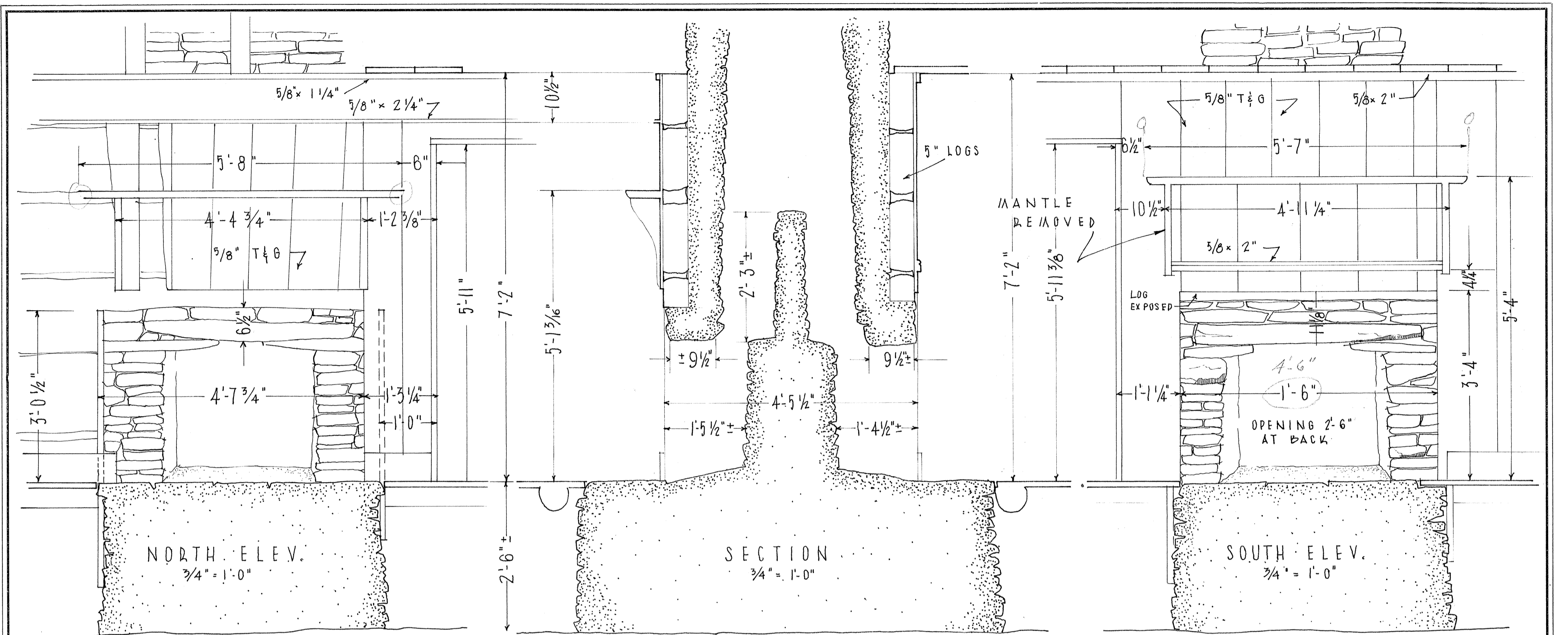
EASTERN OFFICE · DIVISION of DESIGN & CONSTRUCTION  
PHILADELPHIA  
UNDER DIRECTION OF UNITED STATES DEPARTMENT OF THE INTERIOR  
NATIONAL PARK SERVICE, BRANCH OF PLANS AND DESIGN

NAME OF STRUCTURE  
**ALFRED REAGAN HOUSE**  
BOARDING FORK · GREAT SMOKY MOUNTAINS NATIONAL PARK · SEVIER COUNTY · TENNESSEE

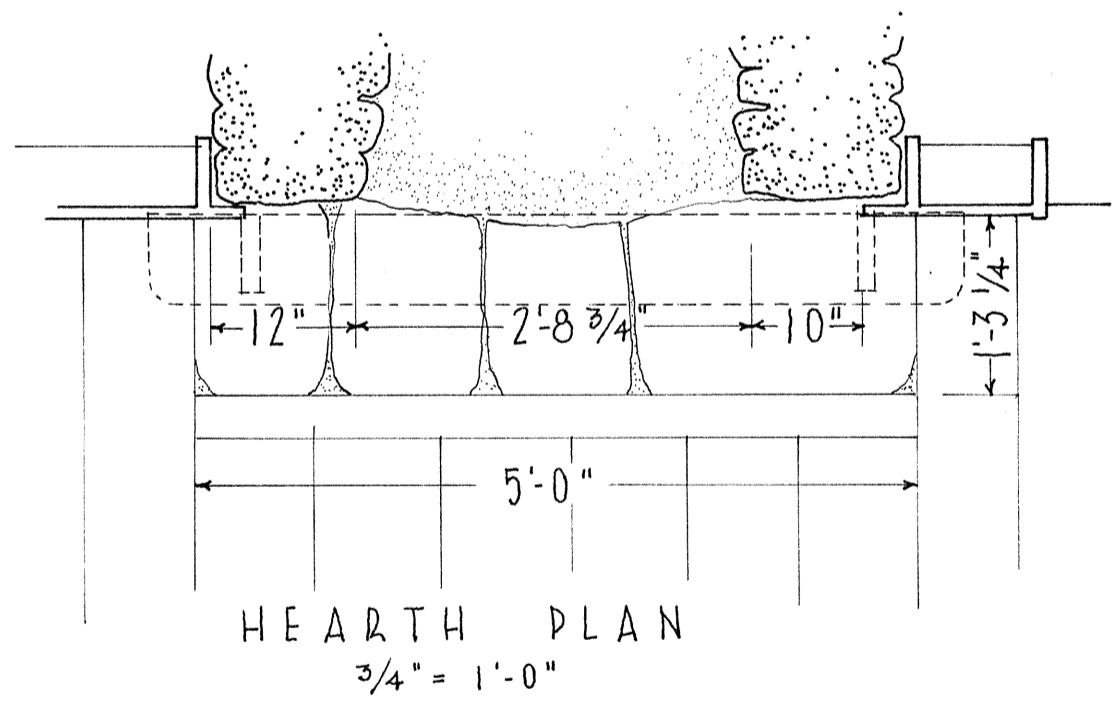
SURVEY NO.  
TENN  
164

HISTORIC AMERICAN  
BUILDINGS SURVEY  
SHEET 10 OF 11 SHEETS

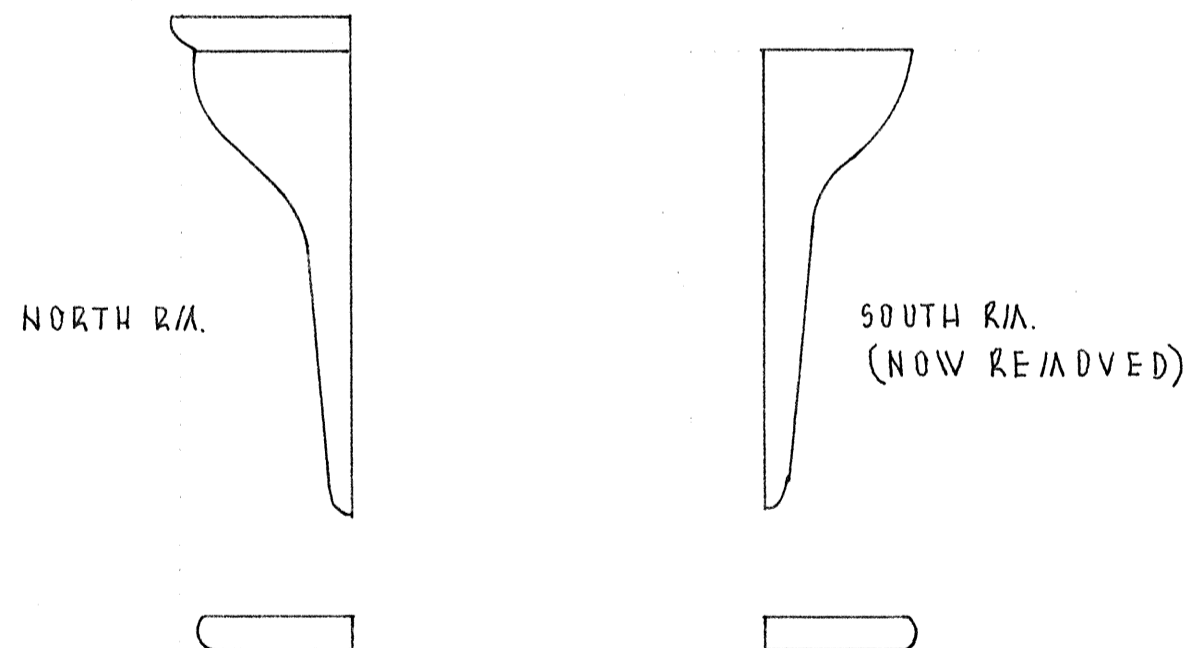
LIBRARY OF CONGRESS  
INDEX NUMBER



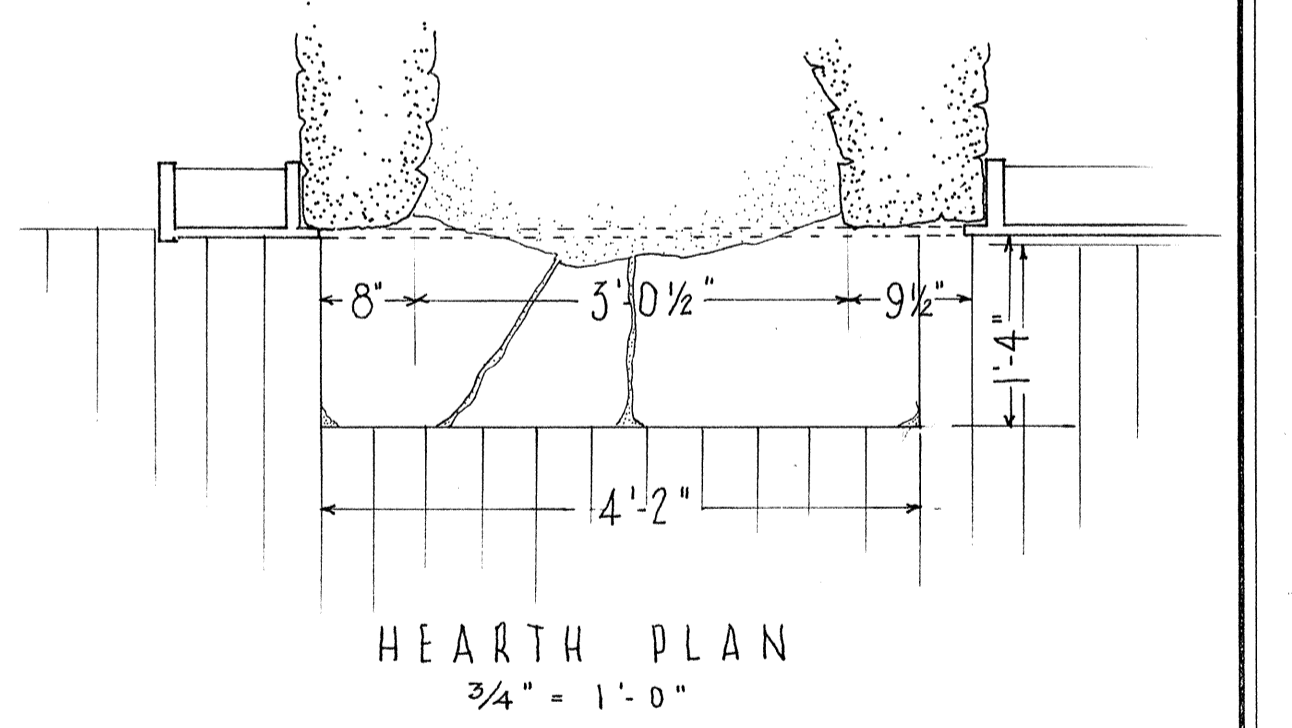
FIREPLACE DETAILS



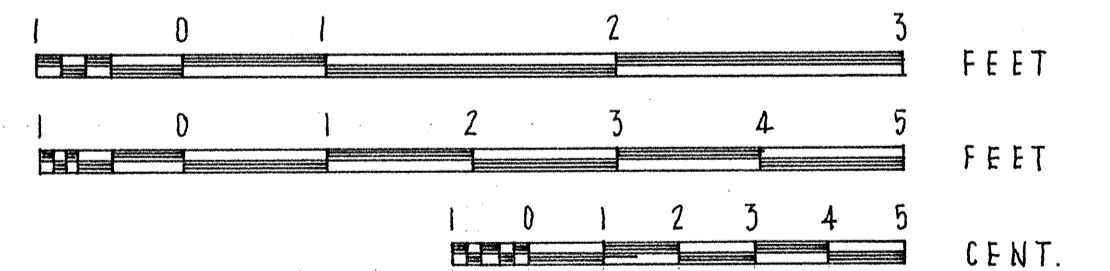
HEARTH PLAN  
3/4" = 1'-0"



MANTLE PIECE  
1 1/2" = 1'-0"



HEARTH PLAN  
3/4" = 1'-0"



SAMUEL E. HENRY DEL. 1957

EASTERN OFFICE · DIVISION OF DESIGN AND CONSTRUCTION  
PHILADELPHIA.  
UNDER DIRECTION OF UNITED STATES DEPARTMENT OF THE INTERIOR  
NATIONAL PARK SERVICE, BRANCH OF PLANS AND DESIGN

NAME OF STRUCTURE  
**ALFRED DEAGAN HOUSE**  
ROARING FORK · GREAT SMOKY MOUNTAINS NATIONAL PARK · SEVIER COUNTY · TENNESSEE

SURVEY NO.  
**TENN**  
**164**

HISTORIC AMERICAN  
BUILDINGS SURVEY  
SHEET 11 OF 11 SHEETS

LIBRARY OF CONGRESS  
INDEX NUMBER